



MUC122LED2

LÁMPARA DE PANEL CON ANTORCHA 12V  
VOYANT LUMINEUX SUR PANNEAU  
AVEC LAMPE DE POCHE 12V

# 12V PANEL LIGHT WITH TORCH



Operating Instructions • Warning Information • Parts Breakdown

## SPECIFICATIONS

### MUC122LED2

Battery Type .....	12V Lithium Ion	Overall Width .....	2.1"
Type .....	.0.2W LED	Compatible Battery . . . .	MUC108LB, MUC12LB, MUC122LB
Light Output .....	50 lms	Compatible Charger .....	MUC108LC, MUC12LC
Weight with battery .....	1 lbs	Charging Time .....	<60 min.
Overall Height with battery .....	11.7"		

## ! WARNING



**ALWAYS READ INSTRUCTIONS  
BEFORE USING POWER TOOLS**

**ALWAYS WEAR  
SAFETY GOGGLES  
USER AND BYSTANDERS**

**ALWAYS WEAR HEARING  
PROTECTION USER AND  
BYSTANDERS**

## ! WARNING

Some dust created by power sanding, sawing, grinding, drilling, and other construction activities contains chemicals known to cause cancer, birth defects or other reproductive harm. Some examples of these chemicals are:

- lead from lead-based paints,
- crystalline silica from bricks and cement and other masonry products, and
- arsenic and chromium from chemically-treated lumber.

Your risk from these exposures varies, depending on how often you do this type of work. To reduce your exposure to these chemicals: work in a well ventilated area, and work with approved safety equipment, such as those dust masks that are specially designed to filter out microscopic particles.

Copyright © Professional Tool Products, 2015.  
All rights reserved.

# MUC122LED2 12V PANEL LIGHT WITH TORCH

## ⚠ WARNING

FAILURE TO OBSERVE THESE WARNINGS COULD RESULT IN INJURY.

SAVE THESE INSTRUCTIONS!

### GENERAL SAFETY INFORMATION (FOR ALL BATTERY OPERATED TOOLS)

#### WARNING:

Read and understand all instructions. Failure to follow all instructions listed below, may result in electric shock, fire, explosion and/or serious personal injury. It is the responsibility of the owner to make sure all personnel read this manual prior to using the device. It is also the responsibility of the device owner to keep this manual intact and in a convenient location for all to see and read. If the manual or product labels are lost or not legible, contact Matco Tools for replacements. If the operator is not fluent in English, the product and safety instructions shall be read and discussed with the operator in the operator's native language by the purchaser/owner or his designee, making sure that the operator comprehends its contents.

#### Work Area Safety

- Keep your work area clean and well lit. Cluttered benches and dark areas invite accidents.
- Do not operate power tools in explosive atmospheres, such as in the presence of flammable liquids, gases, or dust. Power tools create sparks which may ignite the dust or fumes.
- Keep bystanders, children, and visitors away while operating a power tool. Distractions can cause you to lose control and endanger others.

#### Electrical Safety

- A battery operated tool with integral batteries or a separate battery pack must be recharged only with the specified charger for the battery. A charger that may be suitable for one type of battery may create a risk of fire when used with another battery.
- Use battery operated tool only with specifically designated battery pack. Use of any other batteries may create a risk of fire.

#### Personal Safety

- Stay alert, watch what you are doing, and use common sense when operating a power tool. Do not use tool while tired or under the influence of drugs, alcohol, or medication. A moment of inattention while operating power tools may result in serious personal injury.
- Dress properly. Do not wear loose clothing or jewelry. Contain long hair. Keep your hair, clothing, and gloves away from moving parts. Loose clothes, jewelry, or long hair can be caught in moving parts.
- Avoid accidental starting. Be sure switch is in the locked or "off" position before inserting battery pack. Carrying tools with your finger on the switch or inserting the battery pack into a tool with the switch on invites accidents.
- Do not overreach. Keep proper footing and balance at all times. Proper footing and balance enable better control of the tool in unexpected situations.

- Use safety equipment. Always wear eye protection. Dust mask, non-skid safety shoes, hard hat, or hearing protection must be used for appropriate conditions.

#### Tool Use and Care

- Use clamps or another practical way to secure and support the workpiece to a stable platform. Holding the work by hand or against your body is unstable and may lead to loss of control.
- Do not force tool. Use the correct tool for your application.
- Do not use tool if switch does not turn it on or off. A tool that cannot be controlled with the switch is dangerous and must be repaired.
- Disconnect battery pack from tool or place the switch in the locked or "off" position before making any adjustments, changing accessories, or storing the tool. Such preventive safety measures reduce the risk of starting the tool accidentally.
- Store idle tools out of reach of children and other untrained persons. Tools are dangerous in the hands of untrained users.
- When battery pack is not in use, keep it away from other metal objects like: paper clips, coins, keys, nails, screws, or other small metal objects that can make a connection from one terminal to another. Shorting the battery terminals together may cause sparks, burns, or a fire.
- If damaged, have the light serviced before using. Many accidents are caused by poorly maintained lights
- Use only accessories that are recommended by the manufacturer for your model. Accessories that may be suitable for one tool may create a risk of injury when used on another tool.
- Light service must be performed only by the MATCO authorized service centers listed. Service or maintenance performed by unqualified personnel may result in a risk of injury. Repair by unqualified personnel, use of unauthorized parts, and failure to follow maintenance instructions may create a risk of shock or injury.
- This product may contain one or more chemicals known to the State of California to cause cancer and birth defects or other reproductive harm. *Wash hands thoroughly after handling.*
- Failure to heed these warnings may result in personal injury and/or property damage.

#### WARNING:

**MISUSE or failure to follow the safety rules stated in this instruction manual may cause serious personal injury.**

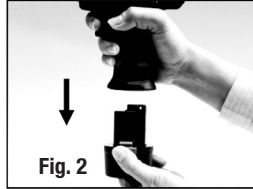
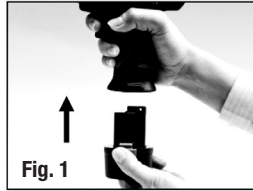


## LIGHT OPERATION

### Installing Or Removing Battery Pack

(See Fig.1, Fig.2)

1. Your new battery pack is not fully charged. You may need to charge it before use.
2. Make sure the switch is in the "off" position before insertion/removal of a battery pack.
3. To remove a battery pack, depress both tabs on either side of the battery and pull downward.
4. To insert a battery pack, align the battery with the light housing and push battery inward until click indicating battery is fully installed.



### Charging The Battery Pack

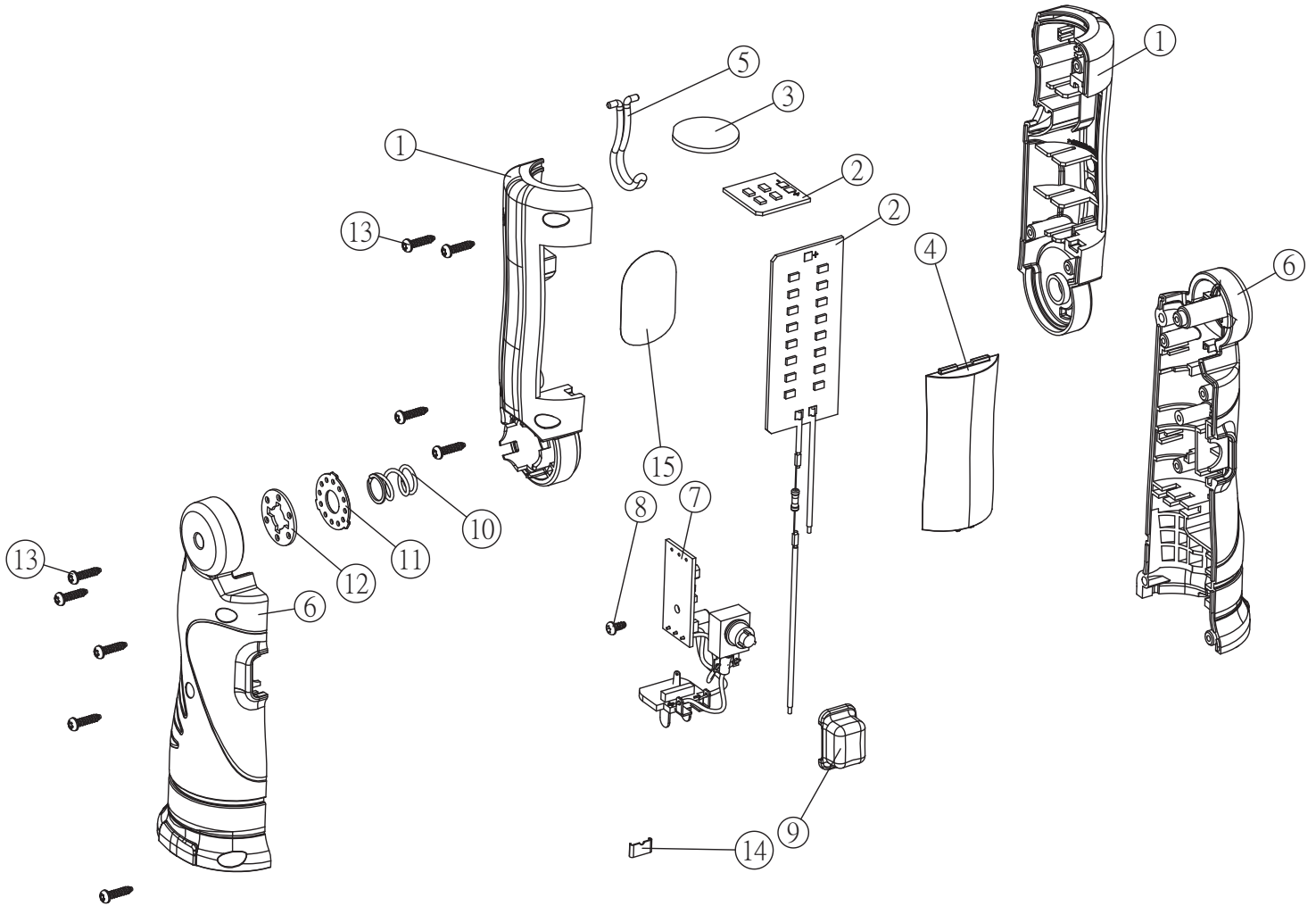
(See Fig.3)

1. Battery may not charge when it is above a certain preset temperature limit. Allow temperature of battery to cool before charging.
2. The charge process will take less than one hour.
3. After charging, unplug the charger from the power source and stow away in a safe place.

### Light Operation

The cordless light is intended to illuminate a limited work area. For replacement of LED, return to an authorized Matco Service Center.

# MUC122LED2 12V PANEL LIGHT WITH TORCH



Index #	Part #	Description	Qty.
1	RS42501	Burner Housing- L & R	1
2	RS26402	LED Assembly	1
3	RS06803	Lens	1
4	RS06904	Lens	1
5	RS02805	Hook	1
6	RS42406	Housing L & R	1
7	RS09507	Transformer Connection	1
8	RS108L09	Screw (M3x6L)	1
9	RS72L10B	Button	1

Index #	Part #	Description	Qty.
10	RS108L12	Spring	1
11	RS108L13	Pivot Plate	1
12	RS108L14	Pivot Plate w/ Steel Balls	1
13	RS108R18	Screw	9
14	RS108DD12	Housing Clip	1
15	RS24115	Housing Label	1
not shown	RS122LED2WL	Warning Label	1

## ⚠️ WARNING

FAILURE TO OBSERVE THESE WARNINGS COULD RESULT IN INJURY.

### SAVE THESE INSTRUCTIONS! SAFETY INSTRUCTIONS FOR BATTERY CHARGER AND BATTERY PACK

**DANGER! READ CAREFULLY**  
120 Volts present at charging terminal. Absolutely DO NOT probe with conductive objects.



12. To reduce risk of electric shock, unplug charger from outlet before attempting any maintenance or cleaning. Turning off controls will not reduce this risk.
13. The battery charger is not intended for use by young children or infirm persons without supervision.
14. Young children should be supervised to ensure that they do not play with the battery charger.

### OPERATIONAL GUIDELINES FOR BATTERY CHARGER AND BATTERY PACK

1. Do not attempt to use a step-up transformer, an engine generator or DC power receptacle.
2. Do not allow anything to cover or clog the charger vents.
3. Always cover the battery terminals with the box or cover when the battery cartridge is not used.
4. Do not short the battery cartridge:
  - (1) Do not touch the terminals with any conductive material.
  - (2) Avoid storing battery cartridge in a container with other metal objects such as nails, screws, coins, etc.
  - (3) Do not expose battery cartridge to water or rain. A battery short can cause a large current flow, overheating, possible burns and even a breakdown.
5. Do not store the light and Battery Cartridge in locations where the temperature may reach or exceed 50°C (122°F).
6. Do not incinerate the Battery Pack even if it is severely damaged or is completely worn out. The battery cartridge can explode in a fire.
7. Be careful not to drop, shake or strike battery as it will affect the capacity and may void warranty.
8. Do not charge inside a box or container of any kind. The charger and battery are ventilated devices and must NOT be placed next to a heat source or in exposure to radiating heat.
9. Place charger on a solid and sturdy surface as there are vents on the bottom side of the charger.
10. Always unplug the charger from the power supply when a charging sequence is not taking place.



1. CAREFULLY READ AND UNDERSTAND THESE INSTRUCTIONS  
This manual contains critical safety and operating instructions for the light, battery charger, and battery.
2. Before using battery charger, read all instructions and cautionary markings on (1) battery charger, (2) battery, and (3) product using battery.
3. CAUTION - To reduce risk of injury, charge only MATCO rechargeable batteries marked on the charger label. Other types of batteries may burst causing personal injury and damage.
4. Do not expose charger to rain or snow.
5. Use of an attachment not recommended or sold by Matco or the battery charger manufacturer may result in a risk of fire, electric shock, or injury to persons.
6. To reduce risk of damage to electric plug and cord, pull by plug rather than cord when disconnecting charger.
7. Make sure cord is located so that it will not be stepped on, tripped over, or otherwise subjected to damage or stress.
8. An extension cord should not be used unless absolutely necessary. Use of improper extension cord could result in a risk of fire and electric shock. If extension cord must be used, make sure:
  - a. That pins on plug of extension cord are the same number size, and shape as those of plug on charger;
  - b. That extension cord is properly wired and in good electrical condition;
  - c. That wire size is at least as large as the one specified in the table below.



**Table 1: RECOMMENDED MINIMUM AWG SIZE FOR EXTENSION CORDS FOR BATTERY CHARGERS**

Length of Cord (Feet)	25	50	75	100	150
AWG Size of Cord	18	18	16	14	12

9. Do not operate charger with damaged cord or plug - replace them immediately.
10. Do not operate charger if it has received a sharp blow, been dropped, or otherwise damaged in any way; take it to a MATCO AUTHORIZED service facility.
11. Do not disassemble charger or battery cartridge; take it to your MATCO AUTHORIZED distributor service facility. Incorrect reassembly may result in a risk of electric shock or fire.

## MATCO CORDLESS BATTERY USE AND CARE GUIDE

### IMPORTANT!

All rechargeable batteries have a finite lifespan and will slowly lose storage capacity as they age and are cycled. Rechargeable batteries are consumable items and should be carefully treated to ensure proper operation during its limited lifespan. Please read the following guide carefully for tips that may maximize the performance of your Matco rechargeable batteries. Batteries should be handled with care and disposed through proper authorities.



### WARNING! MUST READ!

**Do not crush or incinerate batteries as it may cause danger from explosion. Do not place batteries in confined spaces where it may be in contact with conductive objects. For example, do not place battery in pockets, tool boxes, tool bags, etc. with screws, keys, metal shavings, etc. as the battery may short circuit and/or cause fire hazard.**

Only charge in Matco chargers and never attempt to wire to alternative charging sources. Danger of explosion, electric shock, fire, and electrocution may result from:

- Abuse, misuse, and severe shock

- Subjecting the unit to conductive particles, objects, and liquids
- Connecting two chargers together
- Charging Matco batteries with other chargers
- Using the Matco charger to charge other batteries
- Operating the charger with a damaged cord or plug

### PROPER CARE WILL MAXIMIZE PRODUCT LIFE

**Please note that there are differences in the care of Lithium-Ion and Nickel-Cadmium batteries.**

### PROPER CARE FOR MATCO INFINIUM LITHIUM-ION (LI-ION) BATTERIES

- All Li-ion batteries are sensitive to high temperature and should be kept cool, dry, and out of direct light exposure. Ideal temperature range for operation and storage is between 32 and 75 °F. Li-ion batteries may be stored in the refrigerator, but freezers are not recommended.
- Do not leave batteries unused for extended periods of time, especially when it is fully charged or fully discharged. Bring a Li-ion battery to approximately 50% charge level before storing.
- Li-ion batteries are sensitive to shock. Avoid dropping, hitting, or exposure to vibration.
- Li-ion can be charged frequently and recharged before it is fully depleted. Li-ion, in fact, is ideally recharged before it is completely depleted. Recharging when there is 25%-50% capacity remaining in the battery may prolong its lifespan.
- Contaminants can adversely affect the performance and life of Li-ion batteries. Minimize the battery's exposure to dust, dirt, and small particles.
- Recharge Matco Li-ion batteries only in Matco recharging devices that are designed specifically for the battery type. Never subject batteries to any other quick-charging, quick-discharging, or quick-restoring devices.

### PROPER CARE FOR MATCO NICKEL-CADMIUM (NI-CD) BATTERIES

- Ni-Cd batteries are sensitive to high temperatures and should be kept cool, dry, and out of direct light exposure. Ideal operating and storage temperature is between 32 and 70 °F. Ni-Cd batteries may be stored in a refrigerator, but freezers are not recommended.
- Do not leave batteries unused for extended periods of time. Store Ni-Cd batteries fully discharged in a cool and dry place.
- Ni-Cd batteries are sensitive to shock. Avoid dropping, hitting, or exposure to vibration.
- Ni-Cd batteries should be fully discharged inside the tool before recharging. Furthermore, the battery should be fully charged before it is removed from the charger. Frequent charges and removals at intermittent levels may reduce the capacity of the battery.
- Perform the "Refresh Cycle" for Ni-Cd batteries inside the Matco MUCHRG1 Universal Charger on a monthly basis. For light usage, perform this function once every three months. Note that this feature is not applicable or necessary for Li-ion batteries.
- Contaminants can adversely affect the performance and life of Ni-Cd batteries. Minimize the battery's exposure to dust, dirt, and small particles.
- Recharge Matco Ni-Cd batteries only in Matco recharging devices that are designed specifically for the battery type. Never subject batteries to other quick-charging, quick-discharging, or quick-restoring devices.

## MATCO CORDLESS WARRANTY

### MATCO 12V CORDLESS TOOLS

Matco Tools warrants this tool for a period of (1) years from the original date of purchase. In the second year, if inspection shows the trouble is caused by a defect in material and/ or workmanship, Matco will repair (or replace at our option) without charge. Registration is required through your local authorized Matco distributor and/or by submission of completed registration form included with the product. Defective products must be returned and analyzed by Tri-County Power Tools, Inc. for the United States or HT Pneumatic Rebuilders for Canada, at the addresses listed below, freight prepaid. Any light that has been serviced by the user or by an unauthorized service center will subsequently void the warranty of the light.

Misuse, abuse or normal wear of a product is not covered under warranty.

Defects in material and workmanship do not apply where the issues below are present:

- Repairs were made or attempted by unauthorized service center or individual.
- Repairs are required because of normal wear and tear on the light. Normal wear and tear items to include but not limited to TPR (rubber grip portions) wear, switch failure, PCB (internal circuit board wear), etc. These are examples of some failures that may not be covered under defects in material and workmanship but are considered normal wear and tear.
- The light has been misused, abused, or not given the proper maintenance. (example, Cordless ratchet heads should be greased, light motors should not be exposed to harmful substances such as cleaning chemicals, excessive dust and dirt, and metal shavings or debris)
- Alterations or improper accessories were used with the product.

### MATCO 12V LITHIUM-ION

#### BATTERY MUC12LB, MUC122LB / CHARGER MUC12LC

Matco Tools warrants its 12V Lithium-ion (battery/charger) to be free from defects in material and workmanship for a period of (2) years from the original date of purchase. Registration is required through your local authorized Matco distributor and/ or by submission of completed registration form included with the product. If the battery/charger should fail within the warranty period, it must be returned and analyzed by Tri-County Power Tool, Inc. or HT Pneumatic Rebuilders for Canada at the addresses listed below, freight prepaid. A battery capacity defect could be defined as the battery no longer accepting a charge, or holding a charge for the battery manufacturing specified period as determined by Matco Tools Repair center. Based on the evaluation, Matco Tools, at their discretion, will either repair or replace any batteries to be found defective in material or workmanship at no charge. Please see Matco Battery Care Guide in the Cordless Operating Manual for any of the Infinium products. You will find helpful tips that may maximize the useful life of your battery.

Address for Returns as follows:

TRI-COUNTY POWER TOOL, INC.

1300 Brookpark Rd.

Cleveland, OH 44109

(216) 398-6120

Fax: (216) 398-6121

Toll Free: 1-866-873-8278

HT Pneumatic Rebuilders

22 Goodmark Place Unit #8

Toronto, ON M9W 6R2 Canada

(416) 231-0172

**LÁMPARA DE PANEL CON ANTORCHA 12V  
VOYANT LUMINEUX SUR PANNEAU  
AVEC LAMPE DE POCHE 12V**

**12V PANEL LIGHT  
WITH TORCH**



**ESPECIFICACIONES**

**MUC122LED2**

Tipo de batería . . . . .	12V Lithium Ion	Anchura total . . . . .	2.1"
Tipo de foco . . . . .	.0.2W LED	Batería compatible . . . . .	MUC108LB, MUC12LB, MUC122LB
Rendimiento de luz . . . . .	50 lms	Cargador compatible . . . . .	MUC108LC, MUC12LC
Peso (herramienta con batería) . . . . .	1 libras	Tiempo de carga . . . . .	<60 min.
Altura total (herramienta con batería) . . . . .	11.7"		

**⚠ ADVERTENCIA**



**LEER SIEMPRE LAS  
INSTRUCCIONES ANTES DE  
USAR LAS HERRAMIENTAS  
NUEMÁTICAS**

**USAR SIEMPRE ANTEOJOS  
PROTECTORES**

**USAR PROTECCIÓN PARA  
LOS OÍDOS**

**⚠ ADVERTENCIA**

**El polvo creado por la lijación eléctrica, la aserradura, la trituración, la perforación y otras actividades de construcción contiene químicos conocidos como causantes de cáncer, defectos de nacimiento u otros daños a reproducción. Algunos ejemplos de dichos químicos son:**

- El plomo proveniente de pintura con base de plomo,
- La silica cristalina de ladrillo y cemento y otros productos de mampostería, y
- El arsénico y el cromo de maderos químicamente tratados.

**El riesgo de dichas exposiciones varía, dependiendo de la frecuencia con la cual usted realice este tipo de trabajo. Para reducir su exposición a dichos químicos: trabaje en una área bien ventilada y con equipo de seguridad aprobado, tales como las máscaras anti-polvo, los que son específicamente diseñados para filtrar las partículas microscópicas.**



## ⚠ ADVERTENCIA

HACER CASO OMISO A ESTAS ADVERTENCIAS PODRÍA OCASIONAR LESIONES.

### ADVERTENCIA:

EL USO INDEBIDO o hacer caso omiso a las reglas de seguridad declaradas en este manual instructivo puede ocasionar lesiones personales serias.

### ¡GUARDE ESTAS INSTRUCCIONES!

**INFORMACIÓN GENERAL DE SEGURIDAD GENERAL (PARA TODAS LAS HERRAMIENTAS OPERADAS CON BATERÍA)**

### ADVERTENCIA:

Lea y comprenda todas las instrucciones. Hacer caso omiso a todas las instrucciones alistadas a continuación podría ocasionar choque eléctrico, incendio, una explosión y/o lesiones personales serias. Lea y comprenda todas las instrucciones. Hacer caso omiso al seguir todas las instrucciones alistadas a continuación podría ocasionar el choque eléctrico, incendio, explosiones y/o lesiones personales serias. Es la responsabilidad del propietario asegurarse que todo el personal lea este manual previo al uso de este dispositivo. También es la responsabilidad del propietario del dispositivo mantener intacto este manual y en un lugar conveniente para que todos lo lean y vean. Si el manual o las etiquetas se hayan perdido o no sean legibles, comuníquese con Matco Tools por algunos repuestos. Si el operador no domina el idioma inglés, las instrucciones del producto y de seguridad le serán leídas y discutidas con el operador en el idioma materno del operador por parte del comprador/propietario o su designado, asegurándose que el operador comprenda el contenido.



### Seguridad del área de trabajo

- Mantenga el área de trabajo limpio y bien iluminado. Los bancos amontonados y oscuros invitan accidentes.
- No opere las herramientas eléctricas en atmósferas explosivas, tales como con los líquidos, gases o polvos inflamables. Las herramientas eléctricas crean chispas las cuales pueden encender el polvo o los humos.
- Al momento de operar una herramienta eléctrica, mantenga lejos a los transeúntes, niños y visitantes. Las distracciones pueden ocasionar la pérdida de control y poner en peligro a otros.



### Seguridad eléctrica

- Una herramienta operada por pila que usa pilas integrales o un paquete separado de baterías debe ser recargada solamente con el cargador especificado para la batería. Un cargador que puede ser apropiado para una batería puede crear un riesgo de incendio cuando se usa con otra batería.
- Use una herramienta operada por pila con un paquete de batería específicamente designado para ella solamente. El uso de cualquier otra batería puede crear un riesgo de incendio.



### Seguridad Personal

- Manténgase alerta(a), vigile lo que haga y use el sentido común al momento de operar esta herramienta. No use la herramienta si usted se encuentre cansado(a) o si esté bajo la influencia de drogas, alcohol o medicamentos. Un momento de falta de atención al momento de operar una herramienta eléctrica puede ocasionar lesiones personales serias.



- Use el atuendo adecuado. No lleve puesto ropa ni joyería floja. Contenga el pelo largo. Mantenga el pelo, ropa y guantes lejos de piezas móviles. La ropa, joyería o pelo largo pueden envolverse en las piezas móviles.
- Evite los arranques accidentales. Asegúrese que el interruptor esté en la posición de bloqueo o apagado antes de insertar el empaque de las baterías. Se invitan los accidentes si usted lleve las herramientas sobre el interruptor o si se inserte el paquete de baterías en una herramienta mientras el interruptor esté encendido.
- Retire las llaves de ajuste antes de encender la herramienta. Si una llave se mantenga sujeta a una pieza giratoria, se pueden ocasionar lesiones personales.
- No se extralimite. Mantenga los pies sobre base firme y en equilibrio en todo momento. La base y equilibrio adecuados permiten un mayor control de la herramienta durante situaciones inesperadas.
- Use equipo de seguridad. Siempre lleve puesto protección de ojos. Se deben usar máscaras antipolvo, zapatos de seguridad antideslizantes, un casco y protección del oído según las condiciones adecuadas. Lleve puesto protección de ojos que cumpla con las normas de OSHA y ANSI Z87.1 (usuarios y espectadores).



### Uso y cuidado de la herramienta

- Use sujetadoras o alguna otra forma práctica de asegurar y soportar la pieza de trabajo a una plataforma estable. Espere a sostener el trabajo con la mano o contra su cuerpo y hacer lo mismo puede ocasionar la pérdida de control.
- No fuerce la herramienta. Use la herramienta correcta según su aplicación de trabajo.
- No use la herramienta si el interruptor no enciende ni apaga la herramienta. Una herramienta que no puede ser controlada con el interruptor es peligrosa y debe ser reparada.
- Desconecte el paquete de batería o coloque el interruptor en la posición de bloqueada o apagada, antes de hacer cualquier ajuste, cambiar los accesorios o almacenar la herramienta. Tales medidas preventivas de seguridad disminuyen el riesgo de encender la herramienta por accidente.
- Almacene las herramientas cuando no están en uso fuera del alcance de los niños y de otras personas no capacitadas. Las herramientas son peligrosas en manos de usuarios no capacitados.
- Cuando el paquete de batería no está en uso, manténgalo lejos de otros objetos de metal tales como sujetapapeles, monedas, llaves, clavos u otros objetos de metal los que pueden hacer una conexión de un borne a otro. Los cortos de los bornes de la batería, ocasionados por conectarlos, puede ocasionar chispas, quemaduras o incendio.



## MUC122LED2 LÁMPARA DE PANEL CON ANTORCHA 12V

móviles, la rotura de partes y cualquier otra condición que pueda afectar la operación de la herramienta. Si se daña, antes de usarla, lleve a cabo el mantenimiento de la herramienta. Se ocasionan muchos accidentes por el mal mantenimiento de las herramientas.

- Solo use accesorios recomendados para su modelo por el fabricante. Los accesorios que pueden ser adecuados para una herramienta pueden crear el riesgo de lesiones al momento de usarlos con otra herramienta.
- Las fuerzas magnéticas podrían ser dañinas a la propiedad y equipo personales para incluir los teléfonos celulares, las computadoras, el equipo diagnóstico y las tarjetas de crédito.
- Este producto puede contener sustancias químicas consideradas por el Estado de California como causantes de cáncer, de malformaciones congénitas u otros daños en el sistema reproductivo. *Lávese bien las manos después de manipular el producto.*
- No cumplir con estas indicaciones puede provocar lesiones graves o peligro de muerte, así como daños materiales.

### Mantenimiento

- El mantenimiento de la herramienta debe llevarse a cabo solo por los centros de servicio autorizados de MATCO alistados. El mantenimiento realizado por personal no calificado puede

ocasionar un riesgo de lesiones. La reparación por personal no calificado, el uso de piezas no autorizadas y hacer caso omiso a las instrucciones de mantenimiento puede crear un riesgo de choque o lesión.

### ¡GUARDE ESTAS INSTRUCCIONES!

### INSTRUCCIONES ESPECÍFICAS DE SEGURIDAD

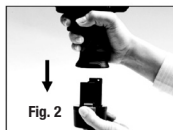
**NO permita que la comodidad o familiaridad con el producto prohíba el cumplimiento estricto de las reglas de seguridad del producto inalámbrico. Si usted opere esta herramienta de manera insegura o incorrectamente, usted puede sufrir lesiones personales serias.**

- Sostenga la herramienta por las superficies aisladas de agarre al momento de realizar alguna operación en donde los accesorios pueden tener contacto con alambres escondidos. El contacto con un cable con corriente también hará las partes de metal expuestas cuenten con corriente y se le dará un choque al operador. Si se haga contacto con un cable "vivo", las piezas expuestas de metal también se convertirán en piezas "vivas" y se dará un choque al operador.
- Tenga conciencia de que esta herramienta siempre está en condiciones de uso, ya que no tiene que estar enchufada en una salida eléctrica para operarse.
- Asegúrese de siempre tener una base firme donde pisar.

## INSTRUCCIONES DE OPERACIÓN

**La instalación o extracción del paquete de batería** (Ver Fig.1, Fig.2)

1. Su nuevo paquete de batería no está cargado completamente. Quizás sea necesario cargarlo antes del uso.
2. Asegúrese que el interruptor esté en la posición de apagado antes del insertar/retirar el paquete de batería.
3. Para extraer el paquete de batería, presione ambas lengüetas de cada lado de la batería y jale hacia abajo.
4. Para insertar el paquete de batería, alinee la batería con la caja de la herramienta y empuje la batería hacia adentro hasta que se haga un "clic," indicando que la batería esté completamente instalada.



**Cargando el paquete de batería**  
(Ver Fig.3)

1. La batería puede no cargarse cuando ésta está a una temperatura mayor al límite de temperatura pre-establecida. Deje que se enfríe la batería antes de cargarla.
2. El proceso de recarga tardará menos de una hora.
3. Después de cargarla, desenchufe el cargador de la fuente de potencia y almacénelo en un lugar seguro.

### Operación de la lámpara

La lámpara inalámbrica está destinada para iluminar el área de trabajo limitado.

Para el repuesto de la lámpara DEL, devuélvala a un centro de servicio autorizado de Matco.

# ⚠ ADVERTENCIA

HACER CASO OMISO A ESTAS ADVERTENCIAS PODRÍA OCASIONAR LESIONES.

¡GUARDE ESTAS INSTRUCCIONES!

## INSTRUCCIONES DE SEGURIDAD PARA CARGADOR DE BATERÍA Y PAQUETE DE BATERÍA

¡PELIGRO! LEA CUIDADOSAMENTE

120 voltios presentes en la terminal de carga. Absolutamente NO haga exploración con objetos conductivos



1. LEA CUIDADOSAMENTE Y COMPRENDA ESTAS INSTRUCCIONES

Este manual contiene instrucciones de seguridad y operación críticas para la herramienta, cargador de batería y la batería.

2. Antes de usar el cargador de batería, lea todas las Instrucciones y etiquetas de precaución en el (1) cargador de batería (2) la batería y (3) el producto que ocupa la batería



3. PRECAUCIÓN - Para disminuir el riesgo de lesiones, cargue sólo aquellas baterías recargables de MATCO indicadas en la etiqueta del cargador. Otros tipos de baterías pueden explotarse, ocasionando lesiones y daños personales.

4. NO exponga el cargador a lluvia ni nieve.



5. El uso de un accesorio no recomendado o vendido por Matco ni el fabricante del cargador de la batería podría ocasionar riesgo de incendio, choque eléctrico y lesiones a las personas.



6. Para reducir el riesgo de daños a la enchufe y cable eléctricos, jale por la enchufe y no por el cable, al momento de desconectar el cargador.



7. Asegúrese que el cable esté ubicado en un lugar donde no se pisará, no se tropezará, ni de otra forma estará expuesto a daños o tensión.

8. No se debe usar un cable de extensión a menos que sea absolutamente necesario. El uso de un cable de extensión podría ocasionar el riesgo de incendio o choque eléctrico. Si se tiene que usar un cable de extensión, asegúrese que:

- los pasadores de la enchufe del cable de extensión sean del mismo número de tamaño y forma de aquellos de la enchufe del cargador;
- el cable de extensión cuente con el cableado adecuado y en buen estado eléctrico;
- el tamaño del cable esté al menos tan grande como él especificado en la tabla a continuación.

Tabla 1: TAMAÑO RECOMENDADO MÍNIMO AWG PARA CABLES DE EXTENSIÓN PARA CARGADORES DE BATERÍA

Longitud del cable (pies)	25	50	75	100	150
Tamaño AWG del cable AWG		18	18	16	14 12

9. No opere el cargador con una enchufe de cable dañado - repóngalos inmediatamente.

10. NO opere el cargador si éste haya recibido un golpe fuerte, si se haya caído o haya sido dañado de otra forma;



llévelo a una Instalación de servicio AUTORIZADO de MATCO.

11. NO desensamble el cargador ni el cartucho de la batería; llévelo a su centro de servicio de distribución AUTORIZADO de MATCO. El ensamblado incorrecto puede ocasionar un riesgo de choque eléctrico o incendio.

12. Para disminuir el riesgo de choque eléctrico, desenchufe el cargador de la salida antes de realizar cualquier mantenimiento o limpieza. NO se disminuirá el riesgo por el hecho de apagar los controles.

13. El cargador de batería no está destinado para uso por niños jóvenes ni por personas enfermas sin alguna supervisión.

14. Los niños jóvenes deben ser supervisados para asegurar que no jueguen con el cargador de batería.

## DIRECTRICES DE OPERACIÓN PARA EL CARGADOR DE BATERÍA Y EL PAQUETE DE BATERÍA

1. NO Intente usar un transformador elevador, un generador de motor o receptáculo de potencia DC.

2. No deje que nada cubra ni atasque las ventilas del cargador.

3. Siempre cubra los bornes de la batería con una caja o cubierta cuando no se usa el cartucho de batería.

4. No ocasione ningún corto del cartucho de la batería:

- No toque los bornes con ningún material conductivo.
- Evite almacenar el cartucho de la batería en un depósito con otros objetos de metal, tales como clavos, tornillos, monedas, etc.

(3) No exponga el cartucho de la batería a aguas ni lluvia. Un corto de la batería puede ocasionar un flujo largo de corriente, el sobrecalentamiento, quemaduras potenciales o aún alguna avería.

5. No almacene la herramienta y el cartucho de la batería en lugares donde la temperatura puede alcanzar o exceder los 50°C (122°F).



6. No incinere el paquete de batería aún si éste esté severamente dañado o completamente desgastado. El cartucho de la batería puede explotar en un incendio.

7. Tenga cuidado de no dejar caer, agitar ni pegar la batería ya que hacer lo mismo podría afectar la capacidad y así anular la garantía.

8. No realice la carga adentro de una caja ni ningún otro tipo de recipiente. El cargador y la batería son aparatos ventilados y NO deben estar colocados cerca de ninguna fuente de calor ni expuestos a calor radiante.



9. Coloque el cargador sobre una superficie sólida y fuerte, debido a que hay ventilaciones en la parte inferior del cargador.

10. Cuando no se está realizando alguna secuencia de carga, siempre desenchufe el cargador de la fuente de potencia.

## GUÍA DE USO Y CUIDADO DE LA BATERÍA INALÁMBRICA DE MATCO

### ¡IMPORTANTE!

Todas las baterías recargables cuentan con una vida útil limitada y perderán su capacidad de almacenamiento lentamente, en la medida que se envejecen y sean recicladas. Las baterías recargables son artículos consumibles y deben ser tratados cuidadosamente para asegurar la operación adecuada durante su vida útil limitada. Lea cuidadosamente la guía a continuación para consejos que puedan facilitar a maximizar el rendimiento de sus baterías recargables de Matco. Las baterías deben ser tratadas con cuidado y desechadas por las autoridades adecuadas.

### ¡ADVERTENCIA! ¡SE DEBE LEER!



No aplaste ni incinere las baterías, ya que esto podría ocasionar peligro de explosión.

No coloque las baterías en lugares confinados donde éstas puedan tener contacto con objetos conductivos. Por ejemplo, no coloque la batería en bolsas, cajas de herramientas, bolsas de herramientas, con tornillos, llaves, virutas de metal, etc. porque la batería puede cortar circuito y/o ocasionar un peligro de incendio.

Sólo cárguelas en cargadores de Matco y nunca intente conectarlas a fuentes alternas de carga.

El peligro de explosión, choque eléctrico, incendio y electrocución puede ser resultado de:

- Abuso, uso indebido y choque severo
- Sujetando la unidad a partículas, objetos o líquidos conductivos
- Conectando dos cargadores juntos
- Cargando baterías de Matco con otros cargadores
- Usando el cargador de Matco para cargar otras baterías
- Operando el cargador con un cable o enchufe dañado

**EL CUIDADO ADECUADO MAXIMIZARÁ LA VIDA ÚTIL DEL PRODUCTO** Note por favor que hay diferencias entre el cuidado de baterías de litio- ion y las de níquel- cadmio.

### CUIDADO ADECUADO PARA LAS BATERÍAS LITIO-ION (LI-ION) INFINIUM DE MATCO

- Todas las baterías litio- ion son sensibles a altas temperaturas y deben mantenerse secas, en temperaturas frescas y fuera de la luz directa. El rango ideal de temperatura para su operación y almacenamiento es de 32 a 75 °F. Las baterías litio-ion pueden ser almacenadas en el refrigerador pero no se recomienda su almacenamiento en el congelador.
- No deje que las baterías queden sin usarse por períodos extendidos de tiempo, especialmente cuando estén

completamente cargadas o descargadas. Antes de almacenarla, recargue una batería litio-ion hasta aproximadamente un 50% de nivel de carga.

- Las baterías litio-ion son sensibles a los choques. Evite dejarlas caer, que se peguen o se expongan a las vibraciones.
- Las baterías litio- ion pueden ser recargadas frecuentemente y pueden ser recargadas antes de que estén completamente agotadas. De hecho, se deben recargar las baterías Litio ion idealmente antes de que estén completamente agotadas. Si se las recarguen cuando haya entre 25% y 50% de capacidad de carga restante, se puede alargar su vida útil.
- Los contaminantes pueden afectar adversamente el rendimiento y vida útil de las baterías Litio ion. Minimice la exposición de la batería al polvo, la tierra y las partículas pequeñas.
- Recargue las baterías litio-ion de Matco solo en dispositivos de recarga de Matco, específicamente diseñados para dicho tipo de batería. Nunca sujete las baterías a ningún otro dispositivo de carga, descarga o restauración rápidas.

### CUIDADO ADECUADO PARA BATERÍAS NÍQUEL-CADMIO (NI-CD) DE MATCO

- Las baterías níquel-cadmio son sensibles a altas temperaturas y deben mantenerse secas, en temperaturas frescas y fuera de la luz directa. La temperatura ideal de su operación y almacenamiento es de 32 a 70 °F. Las baterías níquel-cadmio pueden ser almacenadas en el refrigerador pero no se recomienda su almacenamiento en el congelador.
- No deje que las baterías queden sin usarse por períodos extendidos de tiempo. Almacene las baterías níquel-cadmio completamente descargadas en un lugar fresco y seco.
- Las baterías níquel-cadmio son sensibles a los choques. Evite dejarlas caer, que se peguen o que estén expuestas a las vibraciones.
- Antes de recargarlas, las baterías níquel-cadmio deben estar completamente descargadas dentro de la herramienta. Además, la batería debe estar completamente recargada antes de que se la retire del cargador. Las cargas frecuentes y los retiros a niveles intermitentes pueden disminuir la capacidad de la batería.
- Realice el "Ciclo de actualización" ("Refresh Cycle" en inglés) mensualmente para las baterías níquel-cadmio en el cargador universal MUCHRG1 de Matco. Para el uso ligero, realice esta función una vez cada tres meses. Nótese que esta función no es aplicable ni necesaria para las baterías litio ion.
- Los contaminantes pueden afectar adversamente el rendimiento y vida útil de las baterías Litio ion. Minimice la exposición de la batería al polvo, la tierra y las partículas pequeñas.
- Recargue las baterías níquel-cadmio de Matco solo en dispositivos de recarga de Matco, específicamente diseñados para dicho tipo de batería. Nunca sujete las baterías a ningún otro dispositivo de carga, descarga o restauración rápidas.

## GARANTÍA INALÁMBRICA DE MATCO

### HERRAMIENTAS INALÁMBRICOS 12V DE MATCO

Matco Tools garantiza la herramienta por un periodo de dos (2) años a partir de la fecha de compra original. En el segundo año, si alguna inspección señala que la avería fue ocasionada por algún defecto en cuanto a material y/o mano de obra, Matco reparará (o repondrá, a nuestra opción) sin cargo alguno. Se requiere el registro a través de su distribuidor local autorizado de Matco y/o entrega del registro completado incluido con el producto. Los productos defectuosos deben ser devueltos y analizados por HT Pneumatic Rebuilders para los Estados Unidos o por HT Pneumatic Rebuilders para Canadá, en las direcciones alistadas a continuación, el flete pre-pagado. Para cualquier herramienta que ha recibido mantenimiento por parte del usuario o por parte de un centro de servicio no autorizado se le anulará la garantía de dicha herramienta.

El mal uso, abuso y el desgaste normal de algún producto no está cubierto bajo garantía.

Los defectos materiales y de mano de obra no se aplican en donde se encuentran los siguientes asuntos:

- Las reparaciones fueron realizadas o intentadas por algún centro de servicio o individuo no autorizado.
- Las reparaciones fueron requeridas debido al desgaste y deterioro debido al uso normal de la herramienta. Los artículos de desgaste y deterioro debido al uso normal incluyen, pero no están limitados a, los cepillos de carbono, TPR (por sus siglas en inglés) (las partes de agarre de hule), falla del interruptor, PCB (siglas en inglés) (desgaste del tablero de circuitos interno), anillos de sujeción del casquillo, etc. Estos son ejemplos de algunas fallas las cuales pueden no estar cubiertas bajo los defectos materiales y de mano de obra pero que se consideran parte del desgaste y deterioro debido al uso normal.
- La herramienta ha sido maltratada o usada para fines para el cual no fue destinada, o no ha recibido el mantenimiento adecuado. (ejemplo, las cabezas de trinquete inalámbricas deben estar engrasadas, los motores de la herramienta no deben estar expuestos a sustancias dañinas tales como (químicos de limpieza, el polvo y suciedad excesivos, y virutas de metal o escombros),
- Se realizaron modificaciones o se usaron accesorios inadecuados con el producto.

MUC12LB, MUC122LB BATERÍA / MUC12LC CARGADOR DE ION DE LITIO DE MATCO 12V Matco Tools garantiza su (batería / cargador de ion de litio) de ser libre de defectos en cuanto a material y mano de obra por un periodo de (2) años de la fecha original de compra. Se requiere el registro a través de su distribuidor local autorizado de Matco y/o entrega del registro completado incluido con el producto. Si la batería / cargador llegara a fallarse dentro del periodo de garantía, ésta debe ser devuelta, y analizada por parte de Tri-County Power Tool, Inc. or HT Pneumatic Rebuilders for Canada, o en las direcciones alistadas a continuación, el flete pre-pagado. Algún defecto de la capacidad de la batería puede definirse como la batería ya no acepta una carga o no sostiene la carga por el periodo especificado del fabricante según sea determinado por el centro de reparaciones de Matco Tools. Basada en la evaluación, Matco Tools, a su discreción, o reparará o repondrá cualquier batería que se encuentre ser defectuosa en cuanto a material o mano de obra a ningún costo. Consulte por favor la Guía de Cuidado de la Batería de Matco en el Manual de Operación Inalámbrica por cualquiera de los productos de Infinium. Ahí se encontrarán consejos útiles los que pueden maximizar la vida útil de su batería.

Direcciones para devoluciones a continuación:

TRI-COUNTY POWER TOOL, INC.  
1300 Brookpark Rd.  
Cleveland, OH 44109  
(216) 398-6120  
Fax: (216) 398-6121  
Toll Free: 1-866-873-8278

HT Pneumatic Rebuilders  
22 Goodmark Place Unit #8  
Toronto, ON M9W 6R2 Canada  
(416) 231-0172

**LÁMPARA DE PANEL CON ANTORCHA 12V  
VOYANT LUMINEUX SUR PANNEAU  
AVEC LAMPE DE POCHE 12V**

**12V PANEL LIGHT WITH TORCH**



**Instructions de fonctionnement • Avertissement • Pièces**

**SPECIFICATIONS**

**MUC122LED2**

Type de pile..... Lithium Ion 12V	Largeur totale ..... 2,1 po
Type ..... DEL 0.2W	Pile compatible ..... MUC108LB, MUC12LB, MUC122LB
Puissance lumineuse..... 50 lms	Chargeur ..... MUC108LC, MUC12LC
Poids avec pile ..... 1 lbs.	Temps de chargement de la pile ..... <60 min.
Hauteur totale avec pile..... 11,7 po	

**⚠ AVERTISSEMENT**



**LISEZ TOUJOURS LES INSTRUCTIONS AVANT D'UTILISER LES OUTILS MOTORISÉS.**

**PORTEZ TOUJOURS DES LUNETTES DE SÉCURITÉ.**

**PORTEZ TOUJOURS UNE PROTECTION POUR LES OREILLES.**

**⚠ AVERTISSEMENT**

**Some dust created by power sanding, sawing, grinding, drilling, and other construction activities contains chemicals known to cause cancer, birth defects or other reproductive harm. Some examples of these chemicals are:**

- lead from lead-based paints,
- crystalline silica from bricks and cement and other masonry products, and
- arsenic and chromium from chemically-treated lumber.

**Your risk from these exposures varies, depending on how often you do this type of work. To reduce your exposure to these chemicals: work in a well ventilated area, and work with approved safety equipment, such as those dust masks that are specially designed to filter out microscopic particles.**

## ⚠ AVERTISSEMENT

### LE MANQUE D'OBSERVER CES AVERTISSEMENTS PEUT CAUSER DES BLESSURES

#### CONSERVEZ CES INSTRUCTIONS!

#### INFORMATION GÉNÉRALE

#### DE SÉCURITÉ

#### (POUR TOUS LES OUTILS À PILES)



#### AVERTISSEMENT:

Lisez et comprenez bien toutes les instructions. Le manque d'observer toutes les instructions énumérées ci-dessous, peut entraîner une décharge électrique, un feu et/ou causer de sérieuses blessures corporelles.

Veillez lire et bien comprendre toutes les instructions. Tout manquement aux instructions indiquées ci-après pourrait entraîner un choc électrique, un incendie, une explosion et/ou des blessures personnelles graves. Il est de la responsabilité du propriétaire de s'assurer que tout le personnel lise ce manuel avant d'utiliser l'appareil. Il revient aussi au propriétaire de l'appareil de conserver ce manuel en bon état et dans un endroit accessible permettant au manuel d'être vu et lu par tous. Si le manuel ou les étiquettes du produit sont perdus ou illisibles, contactez Matco Tools pour les faire remplacer. Si l'utilisateur-opérateur de l'appareil ne maîtrise pas bien l'anglais, les instructions relatives au produit et aux mesures de sécurité devront être lues et discutées avec l'opérateur dans sa langue maternelle par l'acheteur-propiétaire ou toute personne habilitée par lui à le faire, en s'assurant que l'opérateur en comprend bien le contenu.

#### Sécurité De La Zone De Travail

- Maintenez votre zone de travail propre et bien éclairé. Les bancs de travail encombrés et les endroits sombres sont propices aux accidents.
- N'utilisez pas les outils électriques dans une atmosphère où il y a possibilité d'explosion, comme en présence de liquides inflammables, de gaz ou de poussière. Les outils électriques créent des étincelles qui peuvent mettre le feu à la poussière ou aux vapeurs.
- Gardez les spectateurs, les enfants et les visiteurs éloignés lorsque vous manipulez un outil électrique. Les distractions peuvent vous faire perdre le contrôle et mettre les autres en danger.

#### Sécurité Électrique

- Un outil à piles avec des piles intégrales ou un bloc pile séparé doit être rechargé seulement avec le chargeur conçu pour celles-ci. Un chargeur qui convient à un type de pile peut créer un risque d'incendie s'il est utilisé avec une autre pile.
- Utilisez l'outil à piles seulement avec le bloc pile spécifiquement conçu pour celle-ci. L'utilisation de toutes autres piles peut créer un risque d'incendie.

#### Sécurité Personnelle

- Restez alerte, surveillez ce que vous faites et utilisez le bon sens en utilisant un outil électrique. N'utilisez pas l'outil si vous êtes fatigué ou sous l'influence de drogues, d'alcool ou



de médicament. Un moment d'inattention lors de l'utilisation d'un outil électrique peut entraîner de sérieuses blessures corporelles.

- Habillez-vous adéquatement. Ne portez pas de vêtements lâches ou de bijoux. Contenez les longs cheveux. Gardez vos cheveux, habillements et gants loin des pièces mobiles. Des vêtements lâches, des bijoux ou de longs cheveux peuvent être happés par les pièces mobiles.
- Évitez le démarrage accidentel. Assurez-vous que le commutateur est en position verrouillée ou arrêt, avant d'insérer le bloc pile. Les outils transportés avec votre doigt sur le commutateur ou le bloc pile inséré dans l'outil avec le commutateur en position marche sont une invitation aux accidents.
- Retirez les clés de serrage ou toutes autres clés avant de mettre l'outil en marche. Une clé restée fixée à une pièce en rotation de l'outil peut causer des blessures corporelles.
- Utilisez l'équipement de sécurité. Portez toujours une protection oculaire. Un masque antipoussière, des chaussures de sécurité antidérapantes, un casque de sécurité, ou un protecteur auditif doivent être utilisés dans les conditions adéquates.

#### Utilisation De L'outil Et Entretien

- Utilisez des brides de fixation ou une autre façon pratique pour bien fixer et soutenir la pièce à une plate-forme stable. Tenir la pièce avec la main ou contre votre corps est instable et peut mener à la perte de contrôle.
- Ne forcez pas l'outil. Utilisez le bon outil pour votre application.
- N'utilisez pas l'outil si le commutateur ne peut être mis en position « Marche/Arrêt ». Un outil qui ne peut être contrôlé avec le commutateur est dangereux et doit être réparé.
- Enlevez le bloc pile de l'outil ou positionnez le commutateur à la position verrouillée ou arrêt, avant de faire tout ajustement ou changement d'accessoire, ou encore, d'entreposer l'outil. De telles mesures de sécurité



préventives réduisent le risque de mettre l'outil en marche accidentellement.

- Entreposez les outils inutilisés hors de la portée des enfants et autres personnes non formées. Les outils sont dangereux dans les mains des utilisateurs non formés.
- Lorsque le bloc pile est non utilisé, gardez-le loin des autres objets en métal comme : trombones, pièces de monnaie, clés, clous, vis ou autres petits objets en métal, qui peuvent établir un contact à partir d'une borne à l'autre. Court circuiter les bornes de piles peut causer des étincelles, des brûlures ou un incendie.
- Si la lampe est endommagée, assurez-vous de la faire vérifier avant de l'utiliser. Beaucoup d'accidents sont causés par des lampes mal entretenues.
- Utilisez seulement les accessoires recommandés par le fabricant pour votre modèle. Les accessoires qui peuvent convenir à un outil peuvent créer un risque de blessures si utilisés sur un autre outil.
- Les forces magnétiques peuvent être dommageables pour les biens et équipements personnels, y compris les téléphones cellulaires, les ordinateurs, l'équipement diagnostique et les cartes de crédit.
- Ce produit peut contenir des produits chimiques reconnus par l'état de la Californie comme causant le cancer, des anomalies congénitales ou d'autres effets nuisibles sur la reproduction. *Se laver minutieusement les mains après avoir utilisé le produit.*
- Le manquement d'observer ces inscriptions peut avoir comme conséquence des blessures sérieuses ou mortelles et/ou des dégâts matériels.

## Réparation

- La réparation de l'outil doit être effectuée seulement par les centres de service autorisés énumérés par MATCO. La réparation ou l'entretien exécuté par un personnel non qualifié peut entraîner un risque de blessures. La réparation par un personnel non qualifié, l'utilisation des pièces non autorisées, et le manque d'observer les instructions d'entretien sont des éléments qui peuvent créer un risque de choc ou de blessures.

## CONSERVEZ CES INSTRUCTIONS! RÈGLES SPÉCIFIQUES DE SÉCURITÉ

**NE LAISSEZ PAS le confort ou la connaissance du produit remplacer l'adhérence stricte aux règles de sécurité au produit sans fil. Si vous utilisez cet outil imprudemment ou incorrectement, vous pouvez subir des blessures corporelles sérieuses.**

- Tenez l'outil par ses surfaces de prise isolées lorsque vous l'utilisez et évitez que les embouts et accessoires du tournevis entrent en contact avec du filage électrique caché. Le contact avec un fil « sous tension » mettra également « sous tension » les parties exposées en métal de l'outil et produira une décharge électrique à l'opérateur.
- Soyez vigilant, car cet outil demeure toujours en condition de fonctionnement; il n'a pas besoin d'être branché à une sortie électrique.
- Maintenez toujours une position ferme.
- Assurez-vous que personne ne se trouve sous vous lorsque vous utilisez l'outil dans des endroits élevés.
- Tenez l'outil fermement en vous servant de vos deux mains.
- Gardez les mains et les cheveux éloignés des pièces en rotation.
- Ne laissez pas l'outil en fonctionnement. Ne forcez pas l'outil à rester en position « MARCHE ». Actionnez l'outil seulement si tenu dans la main.
- Certains matériaux contiennent des produits chimiques qui peuvent être toxiques. Prenez des précautions afin de prévenir l'inhalation de la poussière et le contact avec la peau. Conformez-vous aux données de sécurité du fournisseur.

## AVERTISSEMENT :

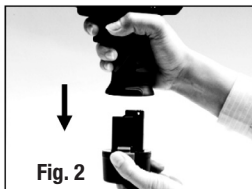
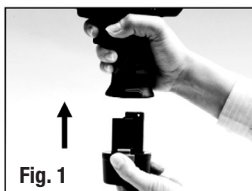
**LA MAUVAISE UTILISATION ou le manque de suivre les règles de sécurité indiquées dans ce manuel d'instruction peut causer de sérieuses blessures.**

## INSTRUCTIONS D'UTILISATION

### Installation Ou Retrait Du Bloc Pile

(voir la fig.1, fig. 2)

1. Votre nouveau bloc pile n'est pas entièrement chargé. Vous pouvez avoir besoin de le recharger avant son utilisation.
2. Assurez-vous que le commutateur est à la position arrêt avant l'insertion/retrait du bloc pile.
3. Pour retirer le bloc pile, appuyez sur les deux attaches de chaque côté de la pile et tirez vers le bas.
4. Pour insérer un bloc pile, alignez la batterie avec le logement d'outil et



poussez-la à l'intérieur jusqu'au dé clic indiquant que la pile est entièrement installée.

### Chargement Du Bloc Pile (voir la fig.3)

1. La pile peut ne pas charger lorsqu'elle se trouve au-dessus d'une certaine limite de température pré-réglée. Permettez à la température de la pile de se refroidir avant la recharge.
2. Le processus de recharge prendra moins d'une heure.
3. Après la recharge, débranchez le chargeur de la source d'énergie et rangez-le dans un endroit sécuritaire.

### Fonctionnement de la lampe de poche

La lampe sert à éclairer une aire de travail restreinte. S'adresser à un centre de service MATCO autorisé pour le remplacement de la DEL.



## AVERTISSEMENT

### INSTRUCTIONS DE SÉCURITÉ POUR CHARGEUR DE PILE & BLOC PILE

#### CONSERVEZ CES INSTRUCTIONS!

#### INSTRUCTIONS DE SÉCURITÉ POUR CHARGEUR DE PILE & BLOC PILE

##### DANGER! LIRE SOIGNEUSEMENT

**Il y a 120 volts sur la borne de chargement. SOUS AUCUNE CIRCONSTANCE, NE TOUCHEZ avec des objets conducteurs.**



12. Afin de réduire le risque de décharge électrique, débranchez le chargeur de la sortie électrique avant d'effectuer tout entretien ou nettoyage. La fermeture du commutateur ne réduira pas ce risque.

13. Le chargeur de pile n'est pas prévu à l'usage des enfants en bas âge sans surveillance.

14. Les enfants en bas âge devraient être surveillés afin de s'assurer qu'ils ne jouent pas avec le chargeur de pile.

#### DIRECTIVES OPÉRATIONNELLES POUR LE CHARGEUR DE PILE ET LE BLOC PILE

1. N'essayez pas d'utiliser un transformateur élévateur, un moteur générateur ou une prise de courant DC

2. Ne permettez à rien de couvrir ou d'obstruer les sorties d'air du chargeur.

3. Couvrez toujours les bornes de la pile avec la boîte ou le couvercle quand la cartouche de pile n'est pas utilisée.

4. Ne court-circuitez pas la cartouche de pile :

a. Ne touchez pas les bornes avec n'importe quel matériau conducteur.

b. Évitez d'entreposer la cartouche de pile dans un récipient avec d'autre objet en métal comme des clous, vis, pièces de monnaie, etc.

c. N'exposez pas la cartouche de la pile à l'eau. Un court circuit de la pile peut causer une circulation du courant, une surchauffe de possibles brûlures et même une panne.

5. N'entreposez pas la cartouche de pile ou l'outil dans des endroits où la température peut atteindre ou dépasser 50 °C (122 °F).

##### Tableau 1 : DIMENSION AWG RECOMMANDÉE POUR LES RALLONGES DES CHARGEURS DE PILE

Longueur du cordon (pied)	25	50	75	100	150
Dimension AWG du cordon	18	18	16	14	12

6. N'incinerez pas le bloc pile même s'il est sévèrement endommagé ou est complètement usé. La cartouche de pile peut exploser dans un feu.

7. Faites attention à ne pas laisser tomber, ne pas secouer ou ne pas frapper la pile, car cela affectera sa capacité et peut annuler la garantie.

8. Ne rechargez pas à l'intérieur d'une boîte ou d'un récipient de n'importe quelle sorte. Le chargeur et la pile sont des dispositifs aérés et NE doivent pas être placés près d'une source de chaleur ou exposés au rayonnement de la chaleur.

9. Placez le chargeur sur une surface solide comme il y a des sorties d'air du côté inférieur du chargeur.

10. Débranchez toujours le chargeur de l'alimentation d'énergie lorsqu'il n'est pas utilisé.



1. Ce manuel contient des instructions de sécurité et d'opération critique pour l'outil, le chargeur de pile et les piles.

2. Avant d'utiliser le chargeur de piles, lisez toutes les instructions et inscriptions d'avertissement sur (1) le chargeur de piles, (2) la pile et (3) le produit utilisant la pile.

3. AVERTISSEMENT - Afin de réduire le risque de blessures, chargez seulement les piles rechargeables MATCO indiquées sur l'étiquette du chargeur. D'autres types de piles peuvent éclater causant des blessures corporelles et des dommages matériels.

4. N'exposez pas le chargeur à la pluie ou la neige.

5. L'utilisation d'un cordon électrique non recommandé ou non vendu par le fabricant du chargeur de pile peut avoir comme conséquence un risque d'incendie, de décharge électrique, ou de blessures aux personnes.

6. Pour réduire le risque de dommages à la prise électrique et au cordon, tirez sur la prise plutôt que sur le cordon électrique en déconnectant le chargeur.

7. Assurez-vous que le cordon est localisé de telle sorte que l'on ne marche pas dessus, soit déclenchée, ou autrement soumise aux dommages ou à l'effort.

8. Une rallonge ne devrait pas être utilisée à moins qu'absolument nécessaire. L'utilisation d'une rallonge inappropriée peut provoquer un risque d'incendie et de décharge électrique. Si il est nécessaire qu'une rallonge soit utilisée, assurez-vous :

a. Les tiges sur la prise de la rallonge sont le même numéro de dimension, et de même forme que ceux de la prise sur le chargeur;

b. Que la rallonge est correctement câblée et en bon état;

c. Que la dimension de fil est au moins aussi grande que celle spécifiée dans la table ci-dessous.

9. N'utilisez pas le chargeur avec un cordon ou une prise endommagée - remplacez-les immédiatement.

10. N'utilisez pas le chargeur s'il a reçu un coup, est tombé, ou autrement endommagé de quelque façon; apportez-le à un centre de service AUTORISÉ PAR MATCO.

11. Ne démontez pas le chargeur ou la cartouche de la pile; apportez-la à votre centre de service AUTORISÉ PAR MATCO. Le réassemblage incorrect peut avoir comme conséquence un risque de décharge électrique ou d'incendie.



**GUIDE D'UTILISATION ET D'ENTRETIEN DE SANS-FIL ET DE PILE DE MATCO****IMPORTANT!**

Toutes les piles rechargeables ont une durée de vie limitée et perdront lentement leur capacité de stockage pendant qu'elles vieillissent et sont utilisées. Les piles rechargeables sont des articles consommables et devraient être soigneusement traitées pour assurer leur fonctionnement approprié pendant leur durée de vie limitée. Veuillez lire soigneusement le guide suivant pour des conseils qui peuvent maximiser le fonctionnement de vos piles rechargeables Matco. Les piles doivent être manipulées avec soin et être disposées par les autorités compétentes.

**AVERTISSEMENT!**

**À LIRE ATTENTIVEMENT! N'écrasez pas ou n'incinerez pas les batteries afin d'éviter tout risque d'explosion. Ne placez pas les batteries dans des espaces confinés où ils pourraient se trouver en contact avec des objets conducteurs. Ne mettez pas les batteries dans des poches, des boîtes à outils, des sacs à outils, etc. afin d'éviter tout court-circuit et risque d'incendie.**

Ne pas écraser ou incinérer les piles cela peut causer une explosion.

Ne placez pas les piles dans des espaces confinés où ils peuvent être en contact avec des objets conducteurs. Par exemple, ne placez pas la pile dans des poches, des boîtes à outils, des sacs d'outillage, etc. avec des vis, des clés, des copeaux de métal, etc., car la pile peut court-circuiter et/ou causer un risque d'incendie.

Rechargez seulement avec des chargeurs Matco et n'essayez jamais de câbler à des sources de recharge alternative

Le danger d'explosion, de décharge électrique, d'incendie et d'électrocution peut résulter de :

- Abus, mauvaise utilisation, et choc sévère
- Soumettre l'unité aux particules, objets, et liquides conducteurs
- Relier deux chargeurs ensemble
- Recharger des piles Matco avec d'autres chargeurs
- Utiliser le chargeur de Matco pour charger d'autres piles
- Utilisation du chargeur avec un cordon ou une prise endommagée

**UN ENTRETIEN APPROPRIÉ MAXIMISERA LA VIE DU PRODUIT** Veuillez noter qu'il y a des différences dans l'entretien de pile Lithium-Ion et de cadmium-nickel.

**ENTRETIEN APPROPRIÉ DES PILES MATCO INFINIUM LITHIUM-ION (LI-ION)**

- Toutes les piles Li-ion sont sensibles aux températures élevées et devraient être maintenues au frais, au sec, et hors de l'exposition à la lumière directe. La température ambiante idéale pour l'utilisation et l'entreposage se situe entre 32 et

75 °F. Les piles Li-ion peuvent être entreposées au réfrigérateur, mais les congélateurs ne sont pas recommandés.

- Ne laissez pas les piles inutilisées pendant des périodes prolongées, particulièrement quand la pile est entièrement chargée ou entièrement déchargée. Amenez une pile Li-ion au niveau de charge de 50 % approximativement avant l'entreposage.
- Les piles Li-ion sont sensibles au choc. Évitez de les échappées, de les frapper ou de les exposer à la vibration.
- La pile Li-ion peut être rechargée fréquemment et rechargée avant qu'elle ne soit entièrement à plat. La pile Li-ion, en fait, est idéalement rechargeable avant qu'elle ne soit complètement à plat. La recharge quand il y a de 25 % — 50 % de sa capacité demeurant dans la pile peut prolonger sa durée de vie.
- Les contaminants peuvent compromettre le fonctionnement et la durée de vie des piles Li-ion. Réduisez au minimum l'exposition de la pile à la poussière, à la saleté, et aux petites particules.
- Rechargez les piles Li-ion de Matco seulement dans les dispositifs de rechargement Matco qui sont conçus spécifiquement pour ce type de pile. Ne soumettez jamais les piles à aucun dispositif de charge rapide, décharge rapide, régénération rapide.

**ENTRETIEN APPROPRIÉ DES PILES CADMIUM-NICKEL (NI-CD) DE MATCO**

- Toutes les piles NI-CD sont sensibles aux températures élevées et devraient être maintenues au frais, au sec, et hors de l'exposition à la lumière directe. La température ambiante idéale pour l'utilisation et l'entreposage se situe entre 32 et 70 °F. Les piles NI-CD peuvent être entreposées au réfrigérateur, mais les congélateurs ne sont pas recommandés.
- Ne laissez pas les piles inutilisées pendant des périodes prolongées, entreposez les piles NI-CD entièrement déchargées dans un endroit frais et sec.
- Les piles Ni-Cd sont sensibles au choc. Évitez de les échappées, de les frapper ou de les exposer à la vibration.
- Les piles Ni-Cd doivent être entièrement déchargées à l'intérieur de l'outil avant la recharge. En outre, la pile doit être entièrement chargée avant qu'elle ne soit retirée du chargeur. Les recharges et le retrait fréquent de la pile de l'outil à des niveaux intermittent peuvent réduire la capacité de la pile.
- Exécutez « le cycle de régénération » pour les piles Ni-Cd avec le chargeur universel MUCHRG1 de Matco sur une base mensuelle. Pour une utilisation légère, exécuter cette fonction une fois tous les trois mois. Notez que ce dispositif n'est pas applicable ou nécessaire pour les piles Li-ion.
- Les contaminants peuvent compromettre le fonctionnement et la durée de vie des piles Ni-Cd. Réduisez au minimum l'exposition de la pile à la poussière, à la saleté, et aux petites particules.
- Rechargez les piles Ni-Cd de Matco seulement dans les dispositifs de rechargement Matco qui sont conçus spécifiquement pour ce type de pile. Ne soumettez jamais les piles à aucun dispositif de charge rapide, décharge rapide, régénération rapide.

## GARANTIE SANS FIL DE MATCO

### OUTILS SANS FILS MATCO 12V

Marco Tools garantit cet outil pendant une période de deux (2) ans à partir de la date d'achat initiale. Pendant la deuxième année, si l'inspection montre que le problème est causé par un défaut de fabrication et/ou de matériaux, Matco va le réparer (ou le remplacer à notre choix) sans frais. L'enregistrement de votre outil est requis, que vous le fassiez à travers votre distributeur Matco autorisé local ou par le formulaire d'enregistrement accompagnant votre achat et dûment complété. Les produits défectueux doivent être retournés et analysés par Tri-County Power Tool, Inc. aux États-Unis ou HT Pneumatic Rebuilders au Canada, aux adresses indiquées plus bas, par envoi pré-payé. La révision ou la réparation de tout outil par l'utilisateur ou un centre de service non-autorisé annulera la garantie dont il bénéficie.

L'usage incorrect, abusif, ou l'usure normale ne sont pas couverts par la garantie. Les défauts de fabrication et de matériaux ne s'appliquent pas dans les cas suivants :

- Les réparations ont été faites ou tentées par un centre de service ou un individu non-autorisé.
- Les réparations sont le résultat d'une usure normale de l'outil. L'usure normale comprend entre autres l'usure des brosses de carbone, l'usure des TPR (portions de prise de caoutchouc thermoplastique), une défaillance de l'interrupteur, l'usure du PCB (carte de circuit imprimé) ou des anneaux de retenue de douille, etc. Ce sont des exemples de défaillances qui peuvent ne pas être couvertes par la garantie de défaut de fabrication ou de matériaux et être plutôt considérées comme étant de l'usure normale.
- L'outil a été utilisé de façon incorrecte ou abusive, ou n'a pas reçu d'entretien adéquat. Par exemple, les têtes de cliquet sans-fil doivent être enduites de graisse, et les moteurs d'outil ne devraient pas être exposés à des substances nocives comme les produits nettoyants chimiques, la saleté et la poussière excessives ou des rognures ou débris métalliques.
- Le produit a subi des altérations ou été utilisé avec des accessoires inadéquats.

### PILE MATCO LITHIUM-ION 12V MUC12LB et MUC122LB / CHARGEUR MUC12LC

Matco Tools garantit ses (piles et chargeurs) 12V contre tout défaut de fabrication ou de matériaux pour une durée de 2 ans à compter de la date d'achat originale. L'enregistrement de votre outil est requis à travers votre distributeur Matco autorisé local et/ou le formulaire d'enregistrement accompagnant votre achat et dûment complété. Si jamais la pile ou le chargeur avait une défaillance pendant la période de garantie, la pièce doit être retournée et analysée par Tri-County Power Tool, Inc. ou HT Pneumatic Rebuilders for Canada, aux adresses indiquées plus bas, par envoi pré-payé. Un défaut de capacité de la pile pourrait être défini comme une pile ne se chargeant plus ou ne gardant plus sa charge pour la période précisée par le centre Matco Tools Repair. En fonction de leur évaluation, Matco Tools, à sa discrétion, pourra réparer ou remplacer la ou les piles jugées défectueuses en termes de fabrication ou de matériaux, sans frais. Veuillez consulter le guide Matco Battery Care dans le manuel de fonctionnement sans-fil pour tout produit Infinium. Vous y trouverez des conseils pratiques qui pourront maximiser le temps de vie utile de votre pile.

L'adresse pour les retours est la suivante :

TRI-COUNTY POWER TOOL, INC.  
1300 Brookpark Rd.  
Cleveland, OH 44109  
(216) 398-6120  
Fax: (216) 398-6121  
Toll Free: 1-866-873-8278

HT Pneumatic Rebuilders  
22 Goodmark Place Unit #8  
Toronto, ON M9W 6R2 Canada  
(416) 231-0172