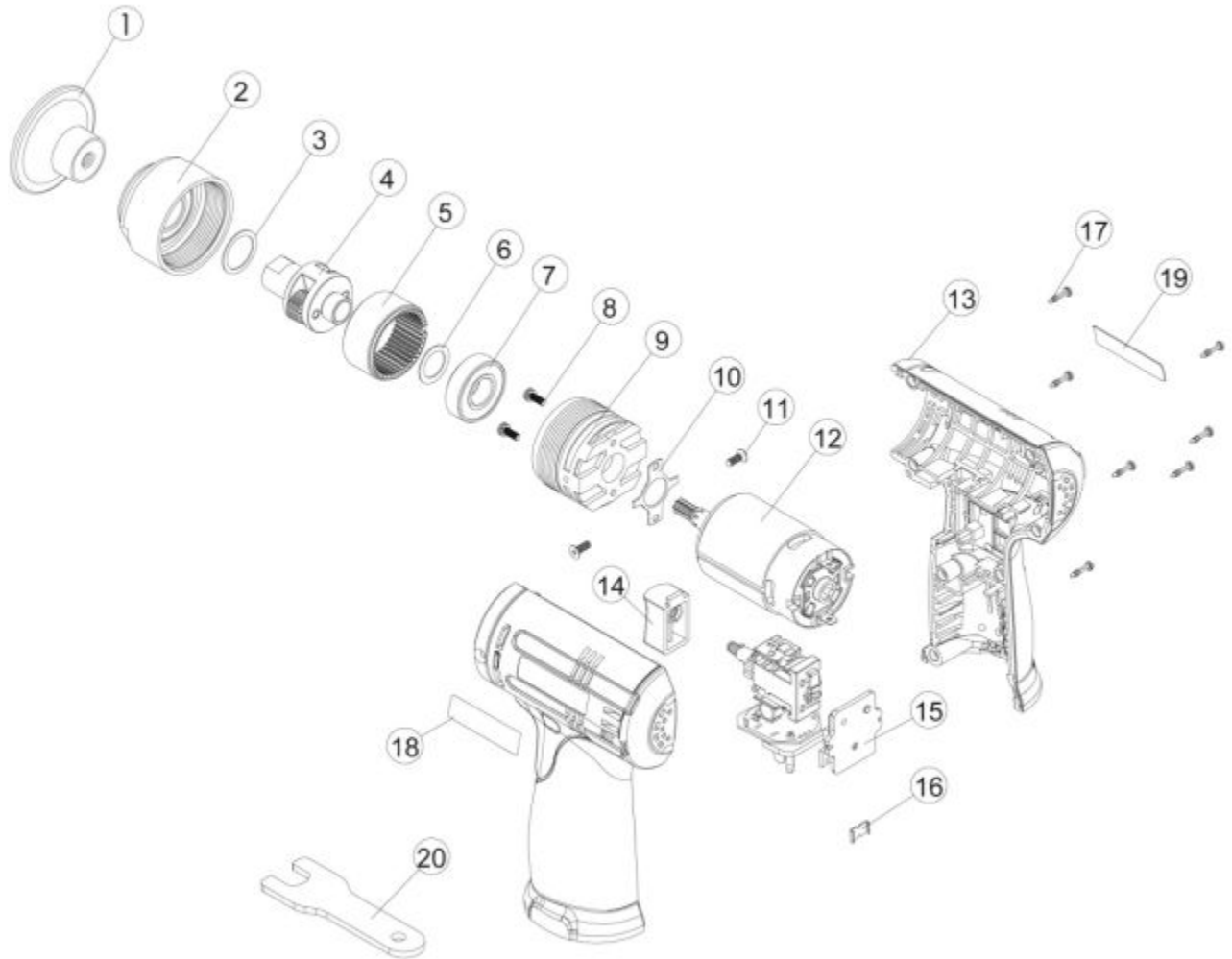


MUC122SP - 12V SURFACE PREP TOOL



Item: MUC122SP

Description: 12V SURFACE PREP TOOL

Notes: N/A

Figure No	Part Number	Description	No. Reqd	Warranty Code
1	K7RS03101	SANDING PAD F/ MUC122SP	1	X
2	K7RS108MP02	FRONT COVER ASSEMBLY MCL16P	1	X
3	K7RS108MP03	WASHER	1	X
4	K7RS10304	BUSHING ASSEMBLY F/MUC122SP #4	1	X
5	*K7RS12MP05	RING GEAR ASSEMBLY	1	
6	*K7RS108MP06	WASHER	1	
7	K7RS227B25	BALL BEARING MT1430,MT1450,60	1	X
8	K7RS108MP08	SCREW F/MUC108R	2	X
9	*K7RS108MP09	MOTOR BRACKET	1	
10	*K7RS108MP10	WASHER	1	
11	K7RS108MP11	SCREW F/ MUC108R	2	X
12	K7RS108MP12	MOTOR ASSY.	1	X
13	*K7RS10613	HOUSING - L & R	1	
14	K7RS12MP14	TRIGGER F/MUC122MP	1	X
15	K7RS12MP15	MAIN SWITCH AND PC F/MUC12MP	1	X
16	K7RS108DD12	HOUSING CLIP F/ MUC108S	1	X
17	K7RS108DD11	SCREWS F/MUC108DD AND MUC108S	7	X
18	*K7RS12MP18B	HOUSING LABEL - L	1	
19	*K7RS24819	HOUSING LABEL - R	1	
20	K7RS108MP21	SPANNER WRENCH	1	X
21	*K7RS122SPWL	WARNING LABEL (NOT SHOWN)	1	