



MUC12LC

**CARGADOR LITIO ION 12V
CHARGEUR LI-ION 12V**

12V LITHIUM-ION CHARGER



Operating Instructions • Warning Information • Parts Breakdown



SPECIFICATIONS

MUC12LC

Input Voltage 120V~60Hz
 Output Voltage..... 12V
 Dimensions (LXWXH)..... 5.5"x4.2"x2.5"
 Weight..... 1 lb.

Charge Time < 60 min.
 Input Power (Max.)..... 30W
 Output Current..... DC 2A
 Applicable Batteries..... MUC108LB, MUC12LB

⚠ WARNING



ALWAYS READ INSTRUCTIONS BEFORE USING POWER TOOLS



ALWAYS WEAR SAFETY GOGGLES



WEAR HEARING PROTECTION



AVOID PROLONGED EXPOSURE TO VIBRATION

⚠ WARNING

Some dust created by power sanding, sawing, grinding, drilling, and other construction activities contains chemicals known to cause cancer, birth defects or other reproductive harm. Some examples of these chemicals are:

- lead from lead-based paints,
- crystalline silica from bricks and cement and other masonry products, and
- arsenic and chromium from chemically-treated lumber.

Your risk from these exposures varies, depending on how often you do this type of work. To reduce your exposure to these chemicals: work in a well ventilated area, and work with approved safety equipment, such as those dust masks that are specially designed to filter out microscopic particles.

Copyright © Professional Tool Products, 2013
All rights reserved.

⚠ WARNING

FAILURE TO OBSERVE THESE WARNINGS COULD RESULT IN INJURY.

SAVE THESE INSTRUCTIONS!

GENERAL SAFETY INFORMATION (FOR ALL BATTERY OPERATED TOOLS)

WARNING:

Read and understand all instructions. Failure to follow all instructions listed below, may result in electric shock, fire and/or serious personal injury.

Work Area Safety

1. Keep your work area clean and well lit. Cluttered benches and dark areas invite accidents.
2. Do not operate power tools in explosive atmospheres, such as in the presence of flammable liquids, gases, or dust. Power tools create sparks which may ignite the dust or fumes.
3. Keep bystanders, children, and visitors away while operating a power tool. Distractions can cause you to lose control and endanger others.

Electrical Safety

4. A battery operated tool with integral batteries or a separate battery pack must be recharged only with the specified charger for the battery. A charger that may be suitable for one type of battery may create a risk of fire when used with another battery.
5. Use battery operated tool only with specifically designated battery pack. Use of any other batteries may create a risk of fire.

Personal Safety

6. Stay alert, watch what you are doing, and use common sense when operating a power tool. Do not use tool while tired or under the influence of drugs, alcohol, or medication. A moment of inattention while operating power tools may result in serious personal injury.
7. Dress properly. Do not wear loose clothing or jewelry. Contain long hair. Keep your hair, clothing, and gloves away from moving parts. Loose clothes, jewelry, or long hair can be caught in moving parts.
8. Avoid accidental starting. Be sure switch is in the locked or off position before inserting battery pack. Carrying tools with your finger on the switch or inserting the battery pack into a tool with the switch on invites accidents.
9. Remove adjusting keys or wrenches before turning the tool on. A wrench or a key that is left attached to a rotating part of the tool may result in personal injury.
10. Do not overreach. Keep proper footing and balance at all times. Proper footing and balance enable better control of the tool in unexpected situations.
11. Use safety equipment. Always wear eye protection. Dust mask, non-skid safety shoes, hard hat, or hearing protection must be used for appropriate conditions.

Tool Use and Care

12. Use clamps or another practical way to secure and support the workpiece to a stable platform. Holding the work by hand or against your body is unstable and may lead to loss of control.
13. Do not force tool. Use the correct tool for your application.
14. Do not use tool if switch does not turn it on or off. A tool that cannot be controlled with the switch is dangerous and must be repaired.
15. Disconnect battery pack from tool or place the switch in the locked or off position before making any adjustments, changing accessories, or storing the tool. Such preventive safety measures reduce the risk of starting the tool accidentally.
16. Store idle tools out of reach of children and other untrained persons. Tools are dangerous in the hands of untrained users.
17. When battery pack is not in use, keep it away from other metal objects like: paper clips, coins, keys, nails, screws, or other small metal objects that can make a connection from one terminal to another. Shorting the battery terminals together may cause sparks, burns, or a fire.
18. Maintain tools with care.
19. Check for misalignment or binding of moving parts, breakage of parts, and any other condition that may affect the tool's operation. If damaged, have the tool serviced before using. Many accidents are caused by poorly maintained tools.
20. Use only impact sockets and accessories that are recommended by the manufacturer for your model. Accessories that may be suitable for one tool may create a risk of injury when used on another tool.
21. This product may contain one or more chemicals known to the State of California to cause cancer and birth defects or other reproductive harm. *Wash hands thoroughly after handling.*

Service

22. Tool service must be performed only by the MATCO authorized service centers listed. Service or maintenance performed by unqualified personnel may result in a risk of injury. Repair by unqualified personnel, use of unauthorized parts, and failure to follow maintenance instructions may create a risk of shock or injury.

SAVE THESE INSTRUCTIONS!

SPECIFIC SAFETY RULES

DO NOT let comfort or familiarity with product replace strict adherence to cordless product safety rules. If you use this tool unsafely or incorrectly, you can suffer serious personal injury.

1. Hold tool by insulated gripping surfaces when performing an operation where the tool or accessory may contact hidden wiring. Contact with a "live" wire will also make exposed metal parts of the tool "live" and shock the operator.

MUC12LC 12V Li-ion Charger

2. Be aware that this tool is always in operating condition, because it does not have to be plugged into an electrical outlet.
3. Always be sure you have firm footing.
4. Be sure no one is below when using the tool in high locations.
5. Hold the tool firmly and use both hands.
6. Keep hands and hair away from rotating parts.
7. Do not leave the tool running. Do not force tool to stay in the "on" position. Operate the tool only when hand-held.
8. Do not touch the drill bit, impact socket, any adapter, or the

workpiece immediately after operation; they may be extremely hot and could burn your skin.

9. Some material contains chemicals which may be toxic. Take caution to prevent working dust inhalation and skin contact. Follow material supplier safety data.

WARNING:

MISUSE or failure to follow the safety rules stated in this instruction manual may cause serious personal injury.

OPERATING INSTRUCTION

Installing Or Removing Battery Pack

1. Your new battery pack is not fully charged. You may need to charge before use.
2. Make sure the forward/reverse lever is in the neutral position when installing or removing a battery.
3. To remove a battery, depress the front tab and pull the battery forward and the tool in the opposite direction.
4. To install a 10.8V battery align the tool with the battery, place the front of the tool about halfway up the battery, push forward until click is heard indicating full installment.



Charging The Battery Pack



Power On
(Green light flashes slowly)



Battery Low
(Red light stays illuminated)



Battery charged 80%
(Green light flashes rapidly)



Battery charged 100%
(Green light stays illuminated)



Battery Pack temperature is too hot
or too cold (Red light flashes slowly)



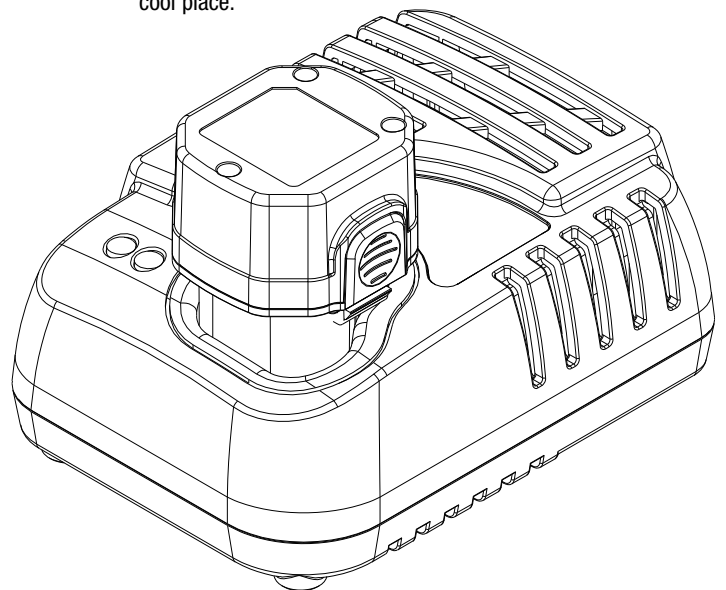
Battery Pack malfunction
(Red and Green lights stay
illuminated)

Charging The Battery Pack

1. Battery may not charge when it is above a certain preset temperature limit. Allow temperature of battery to cool before charging.
2. The charge process will take less than one hour.
3. After charging, unplug the charger from the power source and stow away in a safe place.

Tool Operation

- Plug charge station into a 100-240VAC outlet.
- If the battery pack is excessively hot or cold, the charger will not begin charging and the red indicator on the charging station will blink. When the battery returns to between 0°C (32°F) and 50°C (122°F), the charger will automatically begin charging. Ensure the charging ambient temperature is between 0°C (32°F) and 40°C (104°F).
- If both the red and green indicator lights are ON, the battery pack does not comply or is defective. Please contact your retailer.
- The charging process will take less than 60 minutes.
- Unplug the unit after the charging process and keep in a dry, cool place.



Also available separately RSLIBCPC, Li-ion Charger Power Cord.

⚠ WARNING

FAILURE TO OBSERVE THESE WARNINGS COULD RESULT IN INJURY.

SAVE THESE INSTRUCTIONS!

SAFETY INSTRUCTIONS FOR BATTERY CHARGER AND BATTERY PACK

DANGER! READ CAREFULLY

120 Volts present at charging terminal. Absolutely DO NOT probe with conductive objects.

1. CAREFULLY READ AND UNDERSTAND THESE INSTRUCTIONS

This manual contains critical safety and operating instructions for the tool, battery charger, and batteries.

2. Before using battery charger, read all instructions and cautionary markings on (1) battery charger, (2) battery, and (3) product using battery.
3. **CAUTION** - To reduce risk of injury, charge only MATCO rechargeable batteries marked on the charger label. Other types of batteries may burst causing personal injury and damage.
4. Do not expose charger to rain or snow.
5. Use of an attachment not recommended or sold by the battery charger manufacturer may result in a risk of fire, electric shock, or injury to persons.
6. To reduce risk of damage to electric plug and cord, pull by plug rather than cord when disconnecting charger.
7. Make sure cord is located so that it will not be stepped on, tripped over, or otherwise subjected to damage or stress.
8. An extension cord should not be used unless absolutely necessary. Use of improper extension cord could result in a risk of fire and electric shock. If extension cord must be used, make sure:
 - a. That pins on plug of extension cord are the same number size, and shape as those of plug on charger;
 - b. That extension cord is properly wired and in good electrical condition;
 - c. That wire size is at least as large as the one specified in the table below.
9. Do not operate charger with damaged cord or plug - replace them immediately.
10. Do not operate charger if it has received a sharp blow, been dropped, or otherwise damaged in any way; take it to a MATCO AUTHORIZED service facility.
11. Do not disassemble charger or battery cartridge; take it to your MATCO AUTHORIZED distributor service facility. Incorrect reassembly may result in a risk of electric shock or fire.
12. To reduce risk of electric shock, unplug charger from outlet before attempting any maintenance or cleaning. Turning off controls will not reduce this risk.

13. The battery charger is not intended for use by young children or infirm persons without supervision.
14. Young children should be supervised to ensure that they do not play with the battery charger.

OPERATIONAL GUIDELINES FOR BATTERY CHARGER AND BATTERY PACK

1. Do not attempt to use a step-up transformer, an engine generator or DC power receptacle.
2. Do not allow anything to cover or clog the charger vents.
3. Always cover the battery terminals with the box or cover when the battery cartridge is not used.
4. Do not short the battery cartridge:
 - (1) Do not touch the terminals with any conductive material.
 - (2) Avoid storing battery cartridge in a container with other metal objects such as nails, screws, coins, etc.
 - (3) Do not expose battery cartridge to water or rain. A battery short can cause a large current flow, overheating, possible burns and even a breakdown.
5. Do not store the tool and Battery Cartridge in locations where the temperature may reach or exceed 50°C (122°F).

Table 1: RECOMMENDED MINIMUM AWG SIZE FOR EXTENSION CORDS FOR BATTERY CHARGERS

Length of Cord (Feet)	25	50	75	100	150
AWG Size of Cord	18	18	16	14	12

6. Do not incinerate the Battery Pack even if it is severely damaged or is completely worn out. The battery cartridge can explode in a fire.
7. Be careful not to drop, shake or strike battery as it will affect the capacity and may void warranty.
8. Do not charge inside a box or container of any kind. The charger and battery are ventilated devices and must NOT be placed next to a heat source or in exposure to radiating heat.
9. Place charger on a solid and sturdy surface as there are vents on the bottom side of the charger.
10. Always unplug the charger from the power supply when a charging sequence is not taking place.

MATCO CORDLESS BATTERY USE AND CARE GUIDE

IMPORTANT!

All rechargeable batteries have a finite lifespan and will slowly lose storage capacity as they age and are cycled. Rechargeable batteries are consumable items and should be carefully treated to ensure proper operation during its limited lifespan. Please read the following guide carefully for tips that may maximize the performance of your Matco rechargeable batteries. Batteries should be handled with care and disposed through proper authorities.

WARNING! MUST READ!

Do not crush or incinerate batteries as it may cause danger from explosion.

Do not place batteries in confined spaces where it may be in contact with conductive objects. For example, do not place battery in pockets, tool boxes, tool bags, etc. with screws, keys, metal shavings, etc. as the battery may short circuit and/or cause fire hazard.

Only charge in Matco chargers and never attempt to wire to alternative charging sources

Danger of explosion, electric shock, fire, and electrocution may result from:

- Abuse, misuse, and severe shock
- Subjecting the unit to conductive particles, objects, and liquids
- Connecting two chargers together
- Charging Matco batteries with other chargers
- Using the Matco charger to charge other batteries
- Operating the charger with a damaged cord or plug

PROPER CARE WILL MAXIMIZE PRODUCT LIFE

Please note that there are differences in the care of Lithium-Ion and Nickel-Cadmium batteries.

PROPER CARE FOR MATCO INFINIUM LITHIUM-ION (LI-ION) BATTERIES

- All Li-ion batteries are sensitive to high temperature and should be kept cool, dry, and out of direct light exposure. Ideal temperature range for operation and storage is between 32 and 75 °F. Li-ion batteries may be stored in the refrigerator, but freezers are not recommended.
- Do not leave batteries unused for extended periods of time, especially when it is fully charged or fully discharged. Bring a Li-ion battery to approximately 50% charge level before storing.
- Li-ion batteries are sensitive to shock. Avoid dropping, hitting, or exposure to vibration.
- Li-ion can be charged frequently and recharged before it is fully depleted. Li-ion, in fact, is ideally recharged before it is completely depleted. Recharging when there is 25%-50% capacity remaining in the battery may prolong its lifespan.

- Contaminants can adversely affect the performance and life of Li-ion batteries. Minimize the battery's exposure to dust, dirt, and small particles.
- Recharge Matco Li-ion batteries only in Matco recharging devices that are designed specifically for the battery type. Never subject batteries to any other quick-charging, quick-discharging, or quick-restoring devices.

PROPER CARE FOR MATCO NICKEL-CADMIUM (NI-CD) BATTERIES

- Ni-Cd batteries are sensitive to high temperatures and should be kept cool, dry, and out of direct light exposure. Ideal operating and storage temperature is between 32 and 70 °F. Ni-Cd batteries may be stored in a refrigerator, but freezers are not recommended.
- Do not leave batteries unused for extended periods of time. Store Ni-Cd batteries fully discharged in a cool and dry place.
- Ni-Cd batteries are sensitive to shock. Avoid dropping, hitting, or exposure to vibration.
- Ni-Cd batteries should be fully discharged inside the tool before recharging. Furthermore, the battery should be fully charged before it is removed from the charger. Frequent charges and removals at intermittent levels may reduce the capacity of the battery.
- Perform the "Refresh Cycle" for Ni-Cd batteries inside the Matco MUCHRG1 Universal Charger on a monthly basis. For light usage, perform this function once every three months. Note that this feature is not applicable or necessary for Li-ion batteries.
- Contaminants can adversely affect the performance and life of Ni-Cd batteries. Minimize the battery's exposure to dust, dirt, and small particles.
- Recharge Matco Ni-Cd batteries only in Matco recharging devices that are designed specifically for the battery type. Never subject batteries to other quick-charging, quick-discharging, or quick-restoring devices.

MUC12LC 12V Li-ion Charger

MATCO CORDLESS WARRANTY

MATCO 12V

Matco Tools warrants its 12V tools to be free from defects in material and workmanship for a period of (2) years from the original date of purchase with one year of free service. In the second year, if inspection shows the trouble is caused by a defect in material and/or workmanship, Matco will repair (or replace at our option) without charge. Registration is required through your local authorized Matco distributor and/or by submission of completed registration form included with the product. Defective products must be returned and analyzed by Tri-County Power Tool, Inc. for the United States or Pneutool Parts & Services, Ltd or Diversified Power Inc for Canada, at the addresses listed below, freight prepaid. Any tool that has been serviced by the user or by an unauthorized service center will subsequently void the warranty of the tool.

Misuse, abuse or normal wear of a product is not covered under warranty.

Defects in material and workmanship do not apply where the issues below are present:

- Repairs were made or attempted by unauthorized service center or individual.
- Repairs are required because of normal wear and tear on the tool. Normal wear and tear items to include but not limited to carbon brushes, TPR (rubber grip portions) wear, switch failure, PCB (internal circuit board wear), socket retaining rings, etc. These are examples of some failures that may not be covered under defects in material and workmanship but are considered normal wear and tear.
- The tool has been misused, abused, or not given the proper maintenance. (example, Cordless ratchet heads should be greased, tool motors should not be exposed to harmful substances such as (cleaning chemicals, excessive dust and dirt, and metal shavings or debris)
- Alterations or improper accessories were used with the product.

MATCO 12V LITHIUM-ION BATTERY MUC12LB / CHARGER MUC12LC

Matco Tools warrants its 12V Lithium-ion (battery/charger) to be free from defects in material and workmanship for a period of (2) years from the original date of purchase. Registration is required through your local authorized Matco distributor and/or by submission of completed registration form included with the product. If the battery/charger should fail within the warranty period, it must be returned and analyzed by Tri-County Power Tool, Inc., Pneutool Parts & Services, Ltd. or Diversified Power Inc at the addresses listed below, freight prepaid. A battery capacity defect could be defined as the battery no longer accepting a charge, or holding a charge for the battery manufacturing specified period as determined by Matco Tools Repair center. Based on the evaluation, Matco Tools, at their discretion, will either repair or replace any batteries to be found defective in material or workmanship at no charge. Please see Matco Battery Care Guide in the Cordless Operating Manual for any of the Infinium products. You will find helpful tips that may maximize the useful life of your battery.

Address for Returns as follows:

TRI-COUNTY POWER TOOL, INC.
4597 Pearl Rd.
Cleveland, OH 44109
(216) 398-6120
Fax: (216) 398-6121
Toll Free: 1-866-873-8278

PNEUTOOL PARTS AND SERVICE CO. LTD.
33 Haas Rd.
Toronto, ON M9W 3A1 Canada
(416) 748-2100
(888)748-1201 Toll Free In Canada

CARGADOR LITIO ION 12V
CHARGEUR LI-ION 12V

12V LITHIUM-ION CHARGER



Instrucciones de Operación • Información de Advertencia • Revisión de Refacciones

ESPECIFICACIONES

		MUC12LC	
Voltaje de entrada	120~60Hz	Tiempo de carga	< 60 min.
Voltaje de salida	12V	Potencia de entrada (Máx.)	30W
Dimensiones (LXWXH)	5.5"x4.2"x2.5"	Salida de corriente	DC 3A
Peso	1 lbs	Baterías aplicables	MUC108LB, MUC12LB

⚠ ADVERTENCIA



LEER SIEMPRE LAS INSTRUCCIONES ANTES DE USAR LAS HERRAMIENTAS NUEMÁTICAS



USAR SIEMPRE ANTEOJOS PROTECTORES



USAR PROTECCIÓN PARA LOS OÍDOS



EVITAR EXPOSICIÓN PROLONGADA A LAS VIBRACIONES

⚠ ADVERTENCIA

El polvo creado por la lijación eléctrica, la aserradura, la trituración, la perforación y otras actividades de construcción contiene químicos conocidos como causantes de cáncer, defectos de nacimiento u otros daños a reproducción. Algunos ejemplos de dichos químicos son:

- El plomo proveniente de pintura con base de plomo,
- La silica cristalina de ladrillo y cemento y otros productos de mampostería, y
- El arsénico y el cromo de maderos químicamente tratados.

El riesgo de dichas exposiciones varía, dependiendo de la frecuencia con la cual usted realice este tipo de trabajo. Para reducir su exposición a dichos químicos: trabaje en una área bien ventilada y con equipo de seguridad aprobado, tales como los máscaras anti-polvo, los que son específicamente diseñados para filtrar las partículas microscópicas.

⚠ ADVERTENCIA

HACER CASO OMISO A ESTAS ADVERTENCIAS PODRÍA OCASIONAR LESIONES.

¡GUARDE ESTAS INSTRUCCIONES!

INFORMACIÓN GENERAL DE SEGURIDAD GENERAL (PARA TODAS LAS HERRAMIENTAS OPERADAS CON BATERÍA)

ADVERTENCIA:

Lea y comprenda todas las instrucciones. Hacer caso omiso a las instrucciones alistadas a continuación podría ocasionar un choque eléctrico, incendio y/o lesiones personales serias.

Seguridad del área de trabajo

1. Mantenga el área de trabajo limpio y bien iluminado. Los bancos amontonados y oscuros invitan accidentes.
2. No opere las herramientas eléctricas en atmósferas explosivas, tales como con los líquidos, gases o polvos inflamables. Las herramientas eléctricas crean chispas las cuales pueden encender el polvo o los humos.
3. Al momento de operar una herramienta eléctrica, mantenga lejos a los transeúntes, niños y visitantes. Las distracciones pueden ocasionar la pérdida de control y poner en peligro a otros.

Seguridad eléctrica

4. Una herramienta operada por pila que usa pilas integrales o un paquete separado de baterías debe ser recargada solamente con el cargador especificado para la batería. Un cargador que puede ser apropiado para una batería puede crear un riesgo de incendio cuando se usa con otra batería.
5. Use una herramienta operada por pila con un paquete de batería específicamente designado para ella solamente. El uso de cualquier otra batería puede crear un riesgo de incendio.

Seguridad Personal

6. Manténgase alerta(a), vigile lo que haga y use el sentido común al momento de operar esta herramienta. No use la herramienta si usted se encuentre cansado(a) o si esté bajo la influencia de drogas, alcohol o medicamentos. Un momento de falta de atención al momento de operar una herramienta eléctrica puede ocasionar lesiones personales serias.
7. Use el atuendo adecuado. No lleve puesto ropa ni joyería floja. Contenga el pelo largo. Mantenga el pelo, ropa y guantes lejos de piezas móviles. La ropa, joyería o pelo largo pueden envolverse en las piezas móviles.
8. Evite los arranques accidentales. Asegúrese que el interruptor esté en la posición de bloqueado o apagado antes de insertar el empaque de las baterías. Se invitan los accidentes si usted lleve las herramientas sobre el interruptor o si se inserte el paquete de baterías en una herramienta mientras el interruptor esté encendido.
9. Retire las llaves de ajuste antes de encender la herramienta. Si una llave se mantenga sujeta a una pieza giratoria, se pueden ocasionar lesiones personales.

10. No se extralimite. Mantenga los pies sobre base firme y en equilibrio en todo momento. La base y equilibrio adecuados permiten un mayor control de la herramienta durante situaciones inesperadas.
11. Use equipo de seguridad. Siempre lleve puesto protección de ojos. Se deben usar máscaras antipolvo, zapatos de seguridad antideslizantes, un casco y protección del oído según las condiciones adecuadas.

Uso y cuidado de la herramienta

12. Use sujetadoras o alguna otra forma práctica de asegurar y soportar la pieza de trabajo a una plataforma estable. Es precario sostener el trabajo con la mano o contra su cuerpo y hacer lo mismo puede ocasionar la pérdida de control.
13. No fuerce la herramienta. Use la herramienta correcta según su aplicación de trabajo.
14. No use la herramienta si el interruptor no enciende ni apaga la herramienta. Una herramienta que no puede ser controlada con el interruptor es peligrosa y debe ser reparada.
15. Desconecte el paquete de batería o coloque el interruptor en la posición de bloqueada o apagada, antes de hacer cualquier ajuste, cambiar los accesorios o almacenar la herramienta. Tales medidas preventivas de seguridad disminuyen el riesgo de encender la herramienta por accidente.
16. Almacene las herramientas cuando no están en uso fuera del alcance de los niños y de otras personas no capacitadas. Las herramientas son peligrosas en manos de usuarios no capacitados.
17. Cuando el paquete de batería s no está en uso, manténgalo lejos de otros objetos de metal tales como sujetapapeles, monedas, llaves, clavos u otros objetos de metal los que pueden hacer una conexión de un borne a otro. Los cortos de los bornes de la batería, ocasionados por conectarlos, puede ocasionar chispas, quemaduras o incendio.
18. Lleve a cabo el mantenimiento de sus herramientas con cuidado. Mantenga afiladas y limpias las herramientas de corte. Las herramientas que reciban el mantenimiento adecuado con un borde de corte afilado son menos probables de atorarse y son más fáciles de controlar.
19. Revise por la desalineación o el atoramiento de las piezas móviles, la rotura de partes y cualquier otra condición que pueda afectar la operación de la herramienta. Si se daña, antes de usarla, lleve a cabo el mantenimiento de la herramienta. Se ocasionan muchos accidentes por el mal mantenimiento de las herramientas.
20. Solo use accesorios recomendados para su modelo por el fabricante. Los accesorios que pueden ser adecuados para una herramienta pueden crear el riesgo de lesiones al momento de usarlos con otra herramienta.
21. Este producto contiene sustancias químicas consideradas por el Estado de California como causantes de cáncer, de malformaciones congénitas u otros daños en el sistema reproductivo. *Lávese bien las manos después de manipular el producto.*

MUC12LC Cargador litio ion 12V

Mantenimiento

22. El mantenimiento de la herramienta debe llevarse a cabo solo por los centros de servicio autorizados de MATCO alistados. El mantenimiento realizado por personal no calificado puede ocasionar un riesgo de lesiones. La reparación por personal no calificado, el uso de piezas no autorizadas y hacer caso omiso a las instrucciones de mantenimiento puede crear un riesgo de choque o lesión.

¡GUARDE ESTAS INSTRUCCIONES! INSTRUCCIONES ESPECÍFICAS DE SEGURIDAD

NO permita que la comodidad o familiaridad con el producto prohíba el cumplimiento estricto de las reglas de seguridad del producto inalámbrico. Si usted opere esta herramienta de manera insegura o incorrectamente, usted puede sufrir lesiones personales serias.

1. Sostenga la herramienta por las superficies aisladas de agarre al momento de realizar una operación en donde la herramienta de corte o el adaptador pueda tener contacto con algún cableado escondido. Si se haga contacto con un cable "vivo", las piezas expuestas de metal también se convertirán en piezas "vivas" y se dará un choque al operador.
2. Tenga conciencia de que esta herramienta siempre está en condiciones de uso, ya que no tiene que estar enchufada en una salida eléctrica para operarse.

3. Asegúrese de siempre tener una base firme donde pisar.
4. Asegúrese que no haya nadie debajo del área de trabajo al momento de operar la herramienta en lugares altos.
5. Sostenga firmemente la herramienta y use ambas manos.
6. Mantenga las manos y el pelo lejos de las piezas giratorias.
7. No deje desatendida la herramienta cuando está encendida. No fuerce que la herramienta permanezca en una posición de "encendida." Opere la herramienta sólo cuando está en la mano.
8. No toque la broca del taladro, el casquillo de impacto, ningún adaptador ni la pieza de trabajo inmediatamente después de operar la herramienta; éstos pueden estar extremadamente calientes y podrían quemar la piel.
9. Algunos materiales contienen químicos los cuales pueden ser tóxicos. Tome precauciones para prevenir la inhalación del polvo del trabajo y su contacto con la piel. Siga los datos de seguridad del fabricante del material.

ADVERTENCIA:

EL USO INDEBIDO o hacer caso omiso a las reglas de seguridad declaradas en este manual instructivo puede ocasionar lesiones personales serias.

INSTRUCCIONES DE OPERACIÓN

La instalación o extracción del paquete de batería

1. Su nuevo paquete de baterías no está cargado completamente. Puede ser necesario cargarlo antes del uso.
2. Asegúrese que la palanca de adelante/reversa esté en la posición de neutro al momento de instalar o extraer la batería.
3. Para extraer la batería, presione la lengüeta delantera y jale la batería hacia adelante y jale la herramienta en el sentido opuesto.
4. Para instalar una batería 10.8V, alinee la herramienta con la batería, coloque la parte delantera de la herramienta a la mitad de la batería, empújela hacia adelante hasta que se escuche un "clic," indicando la instalación plena de la batería.



Cargando el paquete de batería

1. La batería puede no cargarse cuando ésta está a una temperatura mayor al límite de temperatura pre-establecida. Deje que se enfríe la batería antes de cargarla.
2. El proceso de recarga tardará menos de una hora.
3. Después de cargarla, desenchufe el cargador de la fuente de potencia y almacénelo en un lugar seguro.

La lámpara DEL en el cargador



Prendida
(La luz verde parpadea lentamente)



Batería con baja carga
(La luz roja se permanece iluminada)



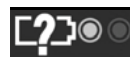
La batería está cargada al 80%
(La luz verde parpadea rápidamente)



La batería está cargada al 100%
(La luz verde se permanece iluminada)



La temperatura del paquete de baterías está demasiado caliente o demasiado fría
(La luz roja parpadea lentamente)



Falla del paquete de baterías
(Se permanecen iluminadas las luces roja y verde)

La operación de la herramienta

- Enchufe la estación de carga a la salida de 100-240VAC
- Si el paquete de baterías está excesivamente caliente o frío, el cargador no comenzará a cargarse y el indicador rojo en la estación de carga se parpadeará. Cuando la batería vuelva a una temperatura entre 0°C (32°F) y 50°C (122°F), el cargador comenzará a cargarse automáticamente. Asegúrese que la temperatura ambiente de carga esté entre 0°C (32°F) y 40°C (104°F).
- Si ambas luces indicadoras- la roja y la verde- estén prendidas, el paquete de baterías no esté en cumplimiento o es defectuoso. Comuníquese por favor con su agente detallista.
- El proceso de carga durará menos de 60 minutos.
- Desenchufe la unidad después del proceso de carga y manténgala en un lugar seco y fresco.

ADVERTENCIA

HACER CASO OMISO A ESTAS ADVERTENCIAS PODRÍA OCASIONAR LESIONES.

¡GUARDE ESTAS INSTRUCCIONES!

INSTRUCCIONES DE SEGURIDAD PARA CARGADOR DE BATERÍA Y PAQUETE DE BATERÍA

¡PELIGRO! LEA CUIDADOSAMENTE

**120 voltios presentes en la terminal de carga.
Absolutamente NO haga exploración con objetos
conductivos**

1. LEA CUIDADOSAMENTE Y COMPRENDA ESTAS INSTRUCCIONES

Este manual contiene instrucciones críticas de seguridad y operación para la herramienta, el cargador de batería y las baterías.

2. Antes de usar el cargador de batería, lea todas las Instrucciones y etiquetas de precaución en el (1) cargador de batería (2) la batería y (3) el producto que ocupa la batería

3. **PRECAUCIÓN** - Para disminuir el riesgo de lesiones, cargue sólo aquellas baterías recargables de MATCO indicadas en la etiqueta del cargador. Otros tipos de baterías pueden explotarse, ocasionando lesiones y daños personales.

4. NO exponga el cargador a lluvia ni nieve.

5. El uso de un accesorio no recomendado o vendido por el fabricante del cargador de la batería puede ocasionar el riesgo de incendio, choque eléctrico o lesiones a las personas.

6. Para reducir el riesgo de daños a la enchufe y cable eléctricos, jale por la enchufe y no por el cable, al momento de desconectar el cargador.

7. Asegúrese que el cable esté ubicado en un lugar donde no se pisará, no se tropezará, ni de otra forma estará expuesto a daños o tensión.

8. No se debe usar un cable de extensión a menos que sea absolutamente necesario. El uso de un cable de extensión podría ocasionar el riesgo de incendio o choque eléctrico. Si se tiene que usar un cable de extensión, asegúrese que:

a. los pasadores de la enchufe del cable de extensión sean del mismo número de tamaño y forma de aquellos de la enchufe del cargador;

b. el cable de extensión cuente con el cableado adecuado y en buen estado eléctrico;

c. el tamaño del cable esté al menos tan grande como él especificado en la tabla a continuación.

9. No opere el cargador con una enchufe de cable dañado - repóngalos inmediatamente.

10. NO opere el cargador si éste haya recibido un golpe fuerte, si se haya caído o haya sido dañado de otra forma; llévelo a una Instalación de servicio AUTORIZADO de MATCO.

11. NO desensamble el cargador ni el cartucho de la batería; llévelo a su centro de servicio de distribución AUTORIZADO de MATCO. El ensamblado incorrecto puede ocasionar un riesgo de choque eléctrico o incendio.

12. Para disminuir el riesgo de choque eléctrico, desenchufe el cargador de la salida antes de realizar cualquier mantenimiento o limpieza.

NO se disminuirá el riesgo por el hecho de apagar los controles.

13. El cargador de batería no está destinado para uso por niños jóvenes ni por personas enfermas sin alguna supervisión.

14. Los niños jóvenes deben ser supervisados para asegurar que no jueguen con el cargador de batería.

DIRECTRICES DE OPERACIÓN PARA EL CARGADOR DE BATERÍA Y EL PAQUETE DE BATERÍA

1. NO Intente usar un transformador elevador, un generador de motor o receptáculo de potencia DC.

2. No deje que nada cubra ni atasque las ventilas del cargador.

3. Siempre cubra los bornes de la batería con una caja o cubierta cuando no se usa el cartucho de batería.

4. No ocasione ningún corto del cartucho de la batería:

(1) No toque los bornes con ningún material conductivo.

(2) Evite almacenar el cartucho de la batería en un depósito con otros objetos de metal, tales como clavos, tornillos, monedas, etc.

(3) No exponga el cartucho de la batería a aguas ni lluvia. Un corto de la batería puede ocasionar un flujo largo de corriente, el sobrecalentamiento, quemaduras potenciales o aún alguna avería.

5. No almacene la herramienta y el cartucho de la batería en lugares donde la temperatura puede alcanzar o exceder los 50°C (122°F).

Tabla 1: TAMAÑO RECOMENDADO MÍNIMO AWG PARA CABLES DE EXTENSIÓN PARA CARGADORES DE BATERÍA

Longitud del cable (pies)	25	50	75	100	150	
Tamaño AWG del cable AWG		18	18	16	14	12

6. No incinere el paquete de batería aún si éste esté severamente dañado o completamente desgastado. El cartucho de la batería puede explotar en un incendio.

7. Tenga cuidado de no dejar caer, agitar ni pegar la batería ya que hacer lo mismo podría afectar la capacidad y así anular la garantía.

8. No realice la carga adentro de una caja ni ningún otro tipo de recipiente. El cargador y la batería son aparatos ventilados y NO deben estar colocados cerca de ninguna fuente de calor ni expuestos a calor radiante.

9. Coloque el cargador sobre una superficie sólida y fuerte, debido a que hay ventilaciones en la parte inferior del cargador.

10. Cuando no se está realizando alguna secuencia de carga, siempre desenchufe el cargador de la fuente de potencia.

GUÍA DE USO Y CUIDADO DE LA BATERÍA INALÁMBRICA DE MATCO

¡IMPORTANTE!

Todas las baterías recargables cuentan con una vida útil limitada y perderán su capacidad de almacenamiento lentamente, en la medida que se envejecen y sean recicladas. Las baterías recargables son artículos consumibles y deben ser tratados cuidadosamente para asegurar la operación adecuada durante su vida útil limitada. Lea cuidadosamente la guía a continuación para consejos que puedan facilitar a maximizar el rendimiento de sus baterías recargables de Matco. Las baterías deben ser tratadas con cuidado y desechadas por las autoridades adecuadas.

¡ADVERTENCIA! ¡SE DEBE LEER!

No aplaste ni incinere las baterías, ya que esto podría ocasionar peligro de explosión.

No coloque las baterías en lugares confinados donde éstas puedan tener contacto con objetos conductivos. Por ejemplo, no coloque la batería en bolsas, cajas de herramientas, bolsas de herramientas, con tornillos, llaves, virutas de metal, etc. porque la batería puede cortar circuito y/o ocasionar un peligro de incendio.

Sólo cárguelas en cargadores de Matco y nunca intente conectarlas a fuentes alternas de carga.

El peligro de explosión, choque eléctrico, incendio y electrocución puede ser resultado de:

- Abuso, uso indebido y choque severo
- Sujetando la unidad a partículas, objetos o líquidos conductivos
- Conectando dos cargadores juntos
- Cargando baterías de Matco con otros cargadores
- Usando el cargador de Matco para cargar otras baterías
- Operando el cargador con un cable o enchufe dañado

EL CUIDADO ADECUADO MAXIMIZARÁ LA VIDA ÚTIL DEL PRODUCTO Note por favor que hay diferencias entre el cuidado de baterías de litio- ion y las de níquel- cadmio.

CUIDADO ADECUADO PARA LAS BATERÍAS LITIO-ION (LI-ION) INFINIUM DE MATCO

- Todas las baterías litio- ion son sensibles a altas temperaturas y deben mantenerse secas, en temperaturas frescas y fuera de la luz directa. El rango ideal de temperatura para su operación y almacenamiento es de 32 a 75 °F. Las baterías litio-ion pueden ser almacenadas en el refrigerador pero no se recomienda su almacenamiento en el congelador.
- No deje que las baterías queden sin usarse por períodos extendidos de tiempo, especialmente cuando estén

completamente cargadas o descargadas. Antes de almacenarla, recargue una batería litio-ion hasta aproximadamente un 50% de nivel de carga.

- Las baterías litio-ion son sensibles a los choques. Evite dejarlas caer, que se peguen o se expongan a las vibraciones.
- Las baterías litio- ion pueden ser recargadas frecuentemente y pueden ser recargadas antes de que estén completamente agotadas. De hecho, se deben recargar las baterías Litio ion idealmente antes de que estén completamente agotadas. Si se las recarguen cuando haya entre 25% y 50% de capacidad de carga restante, se puede alargar su vida útil.
- Los contaminantes pueden afectar adversamente el rendimiento y vida útil de las baterías Litio ion. Minimice la exposición de la batería al polvo, la tierra y las partículas pequeñas.
- Recargue las baterías litio-ion de Matco solo en dispositivos de recarga de Matco, específicamente diseñados para dicho tipo de batería. Nunca sujete las baterías a ningún otro dispositivo de carga, descarga o restauración rápidas.

CUIDADO ADECUADO PARA BATERÍAS NÍQUEL-CADMIO (NI-CD) DE MATCO

- Las baterías níquel-cadmio son sensibles a altas temperaturas y deben mantenerse secas, en temperaturas frescas y fuera de la luz directa. La temperatura ideal de su operación y almacenamiento es de 32 a 70 °F. Las baterías níquel-cadmio pueden ser almacenadas en el refrigerador pero no se recomienda su almacenamiento en el congelador.
- No deje que las baterías queden sin usarse por períodos extendidos de tiempo. Almacene las baterías níquel-cadmio completamente descargadas en un lugar fresco y seco.
- Las baterías níquel-cadmio son sensibles a los choques. Evite dejarlas caer, que se peguen o que estén expuestas a las vibraciones.
- Antes de recargarlas, las baterías níquel-cadmio deben estar completamente descargadas adentro de la herramienta. Además, la batería debe estar completamente recargada antes de que se la retire del cargador. Las cargas frecuentes y los retiros a niveles intermitentes pueden disminuir la capacidad de la batería.
- Realice el "Ciclo de actualización" ("Refresh Cycle" en inglés) mensualmente para las baterías níquel-cadmio en el cargador universal MUCHRG1 de Matco. Para el uso ligero, realice esta función una vez cada tres meses. Nótese que esta función no es aplicable ni necesaria para las baterías litio ion.
- Los contaminantes pueden afectar adversamente el rendimiento y vida útil de las baterías Litio ion. Minimice la exposición de la batería al polvo, la tierra y las partículas pequeñas.
- Recargue las baterías níquel-cadmio de Matco solo en dispositivos de recarga de Matco, específicamente diseñados para dicho tipo de batería. Nunca sujete las baterías a ningún otro dispositivo de carga, descarga o restauración rápidas.

MUC12LC Cargador litio ion 12V

GARANTÍA INALÁMBRICA DE MATCO

MATCO 12V

Matco Tools garantiza sus herramientas 12V de ser libres de defectos en cuanto a material y mano de obra por un periodo de (2) años de la fecha original de compra con un año de mantenimiento gratis. En el segundo año, si alguna inspección señala que la avería fue ocasionada por algún defecto en cuanto a material y/o mano de obra, Matco reparará (o repondrá, a nuestra opción) sin cargo alguno. Se requiere el registro a través de su distribuidor local autorizado de Matco y/o entrega del registro completado incluido con el producto. Los productos defectuosos deben ser devueltos y analizados por parte de Tri-County Power Tool, Inc. para los Estados Unidos o por parte de Pneutool Parts & Services, Ltd para Canadá, en las direcciones alistadas a continuación, el flete pre-pagado. Para cualquier herramienta que ha recibido mantenimiento por parte del usuario o por parte de un centro de servicio no autorizado se le anulará la garantía de dicha herramienta.

El mal uso, abuso y el desgaste normal de algún producto no está cubierto bajo garantía.

Los defectos materiales y de mano de obra no se aplican en donde se encuentran los siguientes asuntos:

- Las reparaciones fueron realizadas o intentadas por algún centro de servicio o individuo no autorizado.
- Las reparaciones fueron requeridas debido al desgaste y deterioro debido al uso normal de la herramienta. Los artículos de desgaste y deterioro debido al uso normal incluyen, pero no están limitados a, los cepillos de carbono, TPR (por sus siglas en inglés) (las partes de agarre de hule), falla del interruptor, PCB (siglas en inglés) (desgaste del tablero de circuitos interno), anillos de sujeción del casquillo, etc. Estos son ejemplos de algunas fallas las cuales pueden no estar cubiertas bajo los defectos materiales y de mano de obra pero que se consideran parte del desgaste y deterioro debido al uso normal.
- La herramienta ha sido maltratada o usada para fines para el cual no fue destinada, o no ha recibido el mantenimiento adecuado. (ejemplo, las cabezas de trinquete inalámbricas deben estar engrasadas, los motores de la herramienta no deben estar expuestos a sustancias dañinas tales como (químicos de limpieza, el polvo y suciedad excesivos, y virutas de metal o escombros),
- Se realizaron modificaciones o se usaron accesorios inadecuados con el producto.

MUC12LB BATERÍA / MUC12LC CARGADOR DE ION DE LITIO DE MATCO 12V Matco Tools garantiza su (batería / cargador de ion de litio) de ser libre de defectos en cuanto a material y mano de obra por un periodo de (2) años de la fecha original de compra. Se requiere el registro a través de su distribuidor local autorizado de Matco y/o entrega del registro completado incluido con el producto. Si la batería / cargador llegara a fallarse dentro del periodo de garantía, ésta debe ser devuelta, y analizada por parte de Tri-County Power Tool, Inc. o Pneutool Parts & Services, Ltd., en las direcciones alistadas a continuación, el flete pre-pagado. Algún defecto de la capacidad de la batería puede definirse como la batería ya no acepta una carga o no sostiene la carga por el periodo especificado del fabricante según sea determinado por el centro de reparaciones de Matco Tools. Basada en la evaluación, Matco Tools, a su discreción, o reparará o repondrá cualquier batería que se encuentre ser defectuosa en cuanto a material o mano de obra a ningún costo. Consulte por favor la Guía de Cuidado de la Batería de Matco en el Manual de Operación Inalámbrica por cualquiera de los productos de Infinium. Ahí se encontrarán consejos útiles los que pueden maximizar la vida útil de su batería.

Direcciones para devoluciones a continuación:

TRI-COUNTY POWER TOOL, INC.
4597 Pearl Rd.
Cleveland, OH 44109
(216) 398-6120
Fax: (216) 398-6121
Toll Free: 1-866-873-8278

PNEUTOOL PARTS AND SERVICE CO. LTD.
33 Haas Rd.
Toronto, ON M9W 3A1 Canada
(416) 748-2100
(888)748-1201 Toll Free In Canada



MUC12LC

CARGADOR LITIO ION 12V
CHARGEUR LI-ION 12V

12V LITHIUM-ION CHARGER



Instructions de fonctionnement • Avertissement • Pièces

SPECIFICATIONS

MUC12LC

Voltage d'entrée 120V~60Hz
 Voltage de sortie 12V
 Dimensions (LXWXH) 5.5"x4.2"x2.5"
 Poids 1 lb.

Temps de chargement < 60 min.
 Puissance d'entrée (max.) 30W
 Courant de sortie DC 2A
 Piles applicables MUC108LB, MUC12LB

⚠ AVERTISSEMENT



LISEZ TOUJOURS
LES INSTRUCTIONS
AVANT D'UTILISER
LES OUTILS
MOTORISÉS.



PORTEZ TOUJOURS
DES LUNETTES DE
SÉCURITÉ.



PORTEZ UNE
PROTECTION POUR
LES OREILLES.



ÉVITEZ
L'EXPOSITION
PROLONGÉE AUX
VIBRATIONS.

⚠ AVERTISSEMENT

Certaines poussières produites par le sablage, le sciage, le meulage, le perçage et autres activités de construction contiennent des produits chimiques qui peuvent causer le cancer, des anomalies congénitales ou autres problèmes de reproduction. Voici quelques exemples de produits chimiques :

- Plomb provenant des peintures,
- Silicium cristallin provenant des briques, du ciment et d'autres produits de maçonnerie et
- Arsenic et chrome provenant du bois traité chimiquement.

Le risque que présentent ces expositions varient selon le nombre de fois que vous faites ce type de travail. Pour réduire l'exposition à ces expositions : travaillez dans un endroit bien ventilé et travaillez avec l'équipement de sécurité approuvé comme les masques à poussière qui sont conçus pour filtrer les particules microscopiques.

Copyright Professional Tool Products, 2013
Tous droits réservés

⚠ AVERTISSEMENT

LE MANQUE D'OBSERVER CES AVERTISSEMENTS PEUT CAUSER DES BLESSURES

CONSERVEZ CES INSTRUCTIONS! INFORMATION GÉNÉRALE DE SÉCURITÉ (POUR TOUS LES OUTILS À PILES)

AVERTISSEMENT:

Lisez et comprenez bien toutes les instructions. Le manque d'observer toutes les instructions énumérées ci-dessous, peut entraîner une décharge électrique, un feu et/ou causer de sérieuses blessures corporelles.

Sécurité De La Zone De Travail

1. Maintenez votre zone de travail propre et bien éclairé. Les bancs de travail encombrés et les endroits sombres sont propices aux accidents.
2. N'utilisez pas les outils électriques dans une atmosphère où il y a possibilité d'explosion, comme en présence de liquides inflammables, de gaz ou de poussière. Les outils électriques créent des étincelles qui peuvent mettre le feu à la poussière ou aux vapeurs.
3. Gardez les spectateurs, les enfants et les visiteurs éloignés lorsque vous manipulez un outil électrique. Les distractions peuvent vous faire perdre le contrôle et mettre les autres en danger.

Sécurité Électrique

4. Un outil à piles avec des piles intégrales ou un bloc pile séparé doit être rechargé seulement avec le chargeur conçu pour celles-ci. Un chargeur qui convient à un type de pile peut créer un risque d'incendie s'il est utilisé avec une autre pile.
5. Utilisez l'outil à piles seulement avec le bloc pile spécifiquement conçu pour celle-ci. L'utilisation de toutes autres piles peut créer un risque d'incendie.

Sécurité Personnelle

6. Restez alerte, surveillez ce que vous faites et utilisez le bon sens en utilisant un outil électrique. N'utilisez pas l'outil si vous êtes fatigué ou sous l'influence de drogues, d'alcool ou de médicament. Un moment d'inattention lors de l'utilisation d'un outil électrique peut entraîner de sérieuses blessures corporelles.
7. Habillez-vous adéquatement. Ne portez pas de vêtements lâches ou de bijoux. Contenez les longs cheveux. Gardez vos cheveux, habillements et gants loin des pièces mobiles. Des vêtements lâches, des bijoux ou de longs cheveux peuvent être happés par les pièces mobiles.
8. Évitez le démarrage accidentel. Assurez-vous que le commutateur est en position verrouillée ou arrêt, avant d'insérer le bloc pile. Les outils transportés avec votre doigt sur le commutateur ou le bloc pile inséré dans l'outil avec le commutateur en position marche sont une invitation aux accidents.
9. Retirez les clés de serrage ou toutes autres clés avant de mettre l'outil en marche. Une clé restée fixée à une pièce en

rotation de l'outil peut causer des blessures corporelles.

10. Ne vous mettez pas hors d'équilibre. À tout moment, gardez une bonne position et un équilibre appropriés. Une bonne position et un équilibre appropriés permettent un meilleur contrôle de l'outil lors de situations inattendues.
11. Utilisez l'équipement de sécurité. Portez toujours une protection oculaire. Un masque antipoussière, des chaussures de sécurité antidérapantes, un casque de sécurité, ou un protecteur auditif doivent être utilisés dans les conditions adéquates.

Utilisation De L'outil Et Entretien

12. Utilisez des brides de fixation ou une autre façon pratique pour bien fixer et soutenir la pièce à une plate-forme stable. Tenir la pièce avec la main ou contre votre corps est instable et peut mener à la perte de contrôle.
13. Ne forcez pas l'outil. Utilisez le bon outil pour votre application.
14. N'utilisez pas l'outil si le commutateur ne peut être mis en position « Marche/Arrêt ». Un outil qui ne peut être contrôlé avec le commutateur est dangereux et doit être réparé.
15. Enlevez le bloc pile de l'outil ou positionnez le commutateur à la position verrouillée ou arrêt, avant de faire tout ajustement ou changement d'accessoire, ou encore, d'entreposer l'outil. De telles mesures de sécurité préventives réduisent le risque de mettre l'outil en marche accidentellement.
16. Entreposez les outils inutilisés hors de la portée des enfants et autres personnes non formées. Les outils sont dangereux dans les mains des utilisateurs non formés.
17. Lorsque le bloc pile est non utilisé, gardez-le loin des autres objets en métal comme : trombones, pièces de monnaie, clés, clous, vis ou autres petits objets en métal, qui peuvent établir un contact à partir d'une borne à l'autre. Court circuiter les bornes de piles peut causer des étincelles, des brûlures ou un incendie.
18. Maintenez les outils en bon état. Maintenez les outils de coupe coupants et propres. Les outils correctement entretenus avec un tranchant aiguisé sont moins sujets à lier et sont plus faciles à contrôler.
19. Vérifiez le désalignement ou le grippage des pièces mobiles, la rupture de pièces et de n'importe quelle autre condition qui peut affecter l'utilisation de l'outil. Si endommagé, faites le réparer avant de l'utiliser à nouveau. Beaucoup d'accidents sont provoqués par des outils négligés.
20. Utilisez seulement les accessoires recommandés par le fabricant pour votre modèle. Les accessoires qui peuvent convenir à un outil peuvent créer un risque de blessures si utilisés sur un autre outil.
21. Ce produit peut contenir des produits chimiques reconnus par l'état de la Californie comme causant le cancer, des anomalies congénitales ou d'autres effets nuisibles sur la reproduction. *Se laver minutieusement les mains après avoir utilisé le produit.*

MUC12LC Chargeur Li-ion 12V

Réparation

22. La réparation de l'outil doit être effectuée seulement par les centres de service autorisés énumérés par MATCO. La réparation ou l'entretien exécuté par un personnel non qualifié peut entraîner un risque de blessures. La réparation par un personnel non qualifié, l'utilisation des pièces non autorisées, et le manque d'observer les instructions d'entretien sont des éléments qui peuvent créer un risque de choc ou de blessures.

CONSERVEZ CES INSTRUCTIONS!

RÈGLES SPÉCIFIQUES DE SÉCURITÉ

NE LAISSEZ PAS le confort ou la connaissance du produit remplacer l'adhérence stricte aux règles de sécurité au produit sans fil. Si vous utilisez cet outil imprudemment ou incorrectement, vous pouvez subir des blessures corporelles sérieuses.

1. Tenez l'outil par les surfaces de préhension isolées en effectuant une opération où l'outil de coupe ou l'adaptateur peut entrer en contact avec du câblage caché. Le contact avec un fil « sous tension » mettra également « sous tension » les parties exposées en métal de l'outil et produira une décharge électrique à l'opérateur.
2. Soyez vigilant, car cet outil demeure toujours en condition de fonctionnement; il n'a pas besoin d'être branché

à une sortie électrique.

3. Maintenez toujours une position ferme.
4. Assurez-vous que personne ne se trouve sous vous lorsque vous utilisez l'outil dans des endroits élevés.
5. Tenez l'outil fermement en vous servant de vos deux mains.
6. Gardez les mains et les cheveux éloignés des pièces en rotation.
7. Ne laissez pas l'outil en fonctionnement. Ne forcez pas l'outil à rester en position « MARCHE ». Actionnez l'outil seulement si tenu dans la main.
8. Ne touchez pas le foret, la douille à choc, aucun adaptateur ou pièce, immédiatement après l'opération; ils peuvent être extrêmement chauds et pourraient vous brûler.
9. Certains matériaux contiennent des produits chimiques qui peuvent être toxiques. Prenez des précautions afin de prévenir l'inhalation de la poussière et le contact avec la peau. Conformez-vous aux données de sécurité du fournisseur.

AVERTISSEMENT :

LA MAUVAISE UTILISATION ou le manque de suivre les règles de sécurité indiquées dans ce manuel d'instruction peut causer de sérieuses blessures.

INSTRUCTIONS D'UTILISATION

Installation Ou Retrait Du Bloc Pile

1. Votre nouveau bloc pile n'est pas entièrement chargé. Vous devrez peut-être le charger avant l'emploi.
2. Assurez-vous que levier de marche avant/arrière est au point mort lors de l'installation ou du retrait d'une pile.
3. Pour retirer la pile, dégagez la languette avant, tirez la pile vers l'avant et l'outil dans la direction opposée.
4. Pour installer une pile 12V, alignez l'outil avec la pile, placez l'avant de l'outil à environ mi-chemin sur la pile, poussez vers l'avant jusqu'à ce que vous entendiez le clic, indiquant l'installation complète.



Chargement Du Bloc Pile

1. La pile peut ne pas charger lorsqu'elle se trouve au-dessus d'une certaine limite de température prééglée. Donnez à la pile le temps de se refroidir avant de la charger.
2. Le processus de chargement prendra moins d'une heure.
3. Après la charge, débranchez le chargeur de la source d'alimentation et ranger dans un endroit sûr.

Utilisation De L'outil

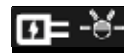
- Branchez la station de recharge dans une prise 100-240VAC.
- Si le bloc-piles est excessivement chaud ou froid, le chargeur ne commencera pas à charger et le voyant lumineux rouge sur la station de recharge se mettra à clignoter. Dès que le bloc-piles retombe à une température entre 0°C (32°F) et 50°C (122°F), le

chargeur se mettra à charger. Assurez-vous que la température ambiante se maintient entre 0°C (32°F) et 40°C (104°F).

- Si les deux voyants lumineux rouge et vert sont allumés (ON), cela indique que le bloc-piles n'est pas conforme ou qu'il est défectueux. Veuillez contacter votre détaillant.
- Le processus de recharge prend moins de 60 minutes.
- Débranchez l'unité après le processus de chargement et gardez-la dans un endroit sec et frais.

Aussi disponible séparément RSLIBCPC, cordon d'alimentation du chargeur Li-ion.

Le voyant DEL sur le chargeur



Sous tension
(le voyant vert clignote lentement)



Pile faible
(le voyant rouge reste allumé)



Le bloc pile est chargé à 80 %
(le voyant vert clignote rapidement)



Le bloc pile est chargé à 100 %
(le voyant vert reste allumé)



La température du bloc pile est trop chaude ou trop froide le voyant rouge clignote lentement)



Battery Pack malfunction
(Red and Green lights stay illuminated)

⚠ AVERTISSEMENT

INSTRUCTIONS DE SÉCURITÉ POUR CHARGEUR DE PILE & BLOC PILE

CONSERVEZ CES INSTRUCTIONS!

INSTRUCTIONS DE SÉCURITÉ POUR CHARGEUR DE PILE & BLOC PILE

DANGER! LIRE SOIGNEUSEMENT

Il y a 120 volts sur la borne de chargement. SOUS AUCUNE CIRCONSTANCE, NE TOUCHEZ avec des objets conducteurs.

1. Ce manuel contient des instructions de sécurité et d'opération critique pour l'outil, le chargeur de pile et les piles.
2. Avant d'utiliser le chargeur de piles, lisez toutes les instructions et inscriptions d'avertissement sur (1) le chargeur de piles, (2) la pile et (3) le produit utilisant la pile.
3. **AVERTISSEMENT** - Afin de réduire le risque de blessures, chargez seulement les piles rechargeables MATCO indiquées sur l'étiquette du chargeur. D'autres types de piles peuvent éclater causant des blessures corporelles et des dommages matériels.
4. N'exposez pas le chargeur à la pluie ou la neige.
5. L'utilisation d'un cordon électrique non recommandé ou non vendu par le fabricant du chargeur de pile peut avoir comme conséquence un risque d'incendie, de décharge électrique, ou de blessures aux personnes.
6. Pour réduire le risque de dommages à la prise électrique et au cordon, tirez sur la prise plutôt que sur le cordon électrique en déconnectant le chargeur.
7. Assurez-vous que le cordon est localisé de telle sorte que l'on ne marche pas dessus, soit déclenchée, ou autrement soumise aux dommages ou à l'effort.
8. Une rallonge ne devrait pas être utilisée à moins qu'absolument nécessaire. L'utilisation d'une rallonge inappropriée peut provoquer un risque d'incendie et de décharge électrique. Si il est nécessaire qu'une rallonge soit utilisée, assurez-vous :
 - a. Les tiges sur la prise de la rallonge sont le même numéro de dimension, et de même forme que ceux de la prise sur le chargeur;
 - b. Que la rallonge est correctement câblée et en bon état;
 - c. Que la dimension de fil est au moins aussi grande que celle spécifiée dans la table ci-dessous.
9. N'utilisez pas le chargeur avec un cordon ou une prise endommagée - remplacez-les immédiatement.
10. N'utilisez pas le chargeur s'il a reçu un coup, est tombé, ou autrement endommagé de quelque façon; apportez-le à un centre de service AUTORISÉ PAR MATCO.
11. Ne démontez pas le chargeur ou la cartouche de la pile; apportez-la à votre centre de service AUTORISÉ PAR MATCO. Le réassemblage incorrect peut avoir comme conséquence un risque de décharge électrique ou d'incendie.

12. Afin de réduire le risque de décharge électrique, débranchez le chargeur de la sortie électrique avant d'effectuer tout entretien ou nettoyage. La fermeture du commutateur ne réduira pas ce risque.

13. Le chargeur de pile n'est pas prévu à l'usage des enfants en bas âge sans surveillance.

14. Les enfants en bas âge devraient être surveillés afin de s'assurer qu'ils ne jouent pas avec le chargeur de pile.

DIRECTIVES OPÉRATIONNELLES POUR LE CHARGEUR DE PILE ET LE BLOC PILE

1. N'essayez pas d'utiliser un transformateur élévateur, un moteur générateur ou une prise de courant DC
2. Ne permettez à rien de couvrir ou d'obstruer les sorties d'air du chargeur.
3. Couvrez toujours les bornes de la pile avec la boîte ou le couvercle quand la cartouche de pile n'est pas utilisée.
4. Ne court-circuitez pas la cartouche de pile :
 - a. Ne touchez pas les bornes avec n'importe quel matériau conducteur.
 - b. Évitez d'entreposer la cartouche de pile dans un récipient avec d'autre objet en métal comme des clous, vis, pièces de monnaie, etc.
 - c. N'exposez pas la cartouche de la pile à l'eau. Un court circuit de la pile peut causer une circulation du courant, une surchauffe de possibles brûlures et même une panne.
5. N'entreposez pas la cartouche de pile ou l'outil dans des endroits où la température peut atteindre ou dépasser 50 °C (122 °F).

Tableau 1 : DIMENSION AWG RECOMMANDÉE POUR LES RALLONGES DES CHARGEURS DE PILE

Longueur du cordon (pied)	25	50	75	100	150
Dimension AWG du cordon	18	18	16	14	12

6. N'incinerez pas le bloc pile même s'il est sévèrement endommagé ou est complètement usé. La cartouche de pile peut exploser dans un feu.
7. Faites attention à ne pas laisser tomber, ne pas secouer ou ne pas frapper la pile, car cela affectera sa capacité et peut annuler la garantie.
8. Ne rechargez pas à l'intérieur d'une boîte ou d'un récipient de n'importe quelle sorte. Le chargeur et la pile sont des dispositifs aérés et NE doivent pas être placés près d'une source de chaleur ou exposés au rayonnement de la chaleur.
9. Placez le chargeur sur une surface solide comme il y a des sorties d'air du côté inférieur du chargeur.
10. Débranchez toujours le chargeur de l'alimentation d'énergie lorsqu'il n'est pas utilisé.

GUIDE D'UTILISATION ET D'ENTRETIEN DE SANS-FIL ET DE PILE DE MATCO

IMPORTANT!

Toutes les piles rechargeables ont une durée de vie limitée et perdront lentement leur capacité de stockage pendant qu'elles vieillissent et sont utilisées. Les piles rechargeables sont des articles consommables et devraient être soigneusement traitées pour assurer leur fonctionnement approprié pendant leur durée de vie limitée. Veuillez lire soigneusement le guide suivant pour des conseils qui peuvent maximiser le fonctionnement de vos piles rechargeables Matco. Les piles doivent être manipulées avec soin et être disposées par les autorités compétentes.

AVERTISSEMENT! À LIRE ATTENTIVEMENT!

Do not crush or incinerate batteries as it may cause danger from explosion.

Do not place batteries in confined spaces where it may be in contact with conductive objects. For example, do not place battery in pockets, tool boxes, tool bags, etc. with screws, keys, metal shavings, etc. as the battery may short circuit and/or cause fire hazard.

Ne pas écraser ou incinérer les piles cela peut causer une explosion.

Ne placez pas les piles dans des espaces confinés où ils peuvent être en contact avec des objets conducteurs. Par exemple, ne placez pas la pile dans des poches, des boîtes à outils, des sacs d'outillage, etc. avec des vis, des clés, des copeaux de métal, etc., car la pile peut court-circuiter et/ou causer un risque d'incendie.

Rechargez seulement avec des chargeurs Matco et n'essayez jamais de câbler à des sources de recharge alternative

Le danger d'explosion, de décharge électrique, d'incendie et d'électrocution peut résulter de :

- Abus, mauvaise utilisation, et choc sévère
- Soumettre l'unité aux particules, objets, et liquides conducteurs
- Relier deux chargeurs ensemble
- Recharger des piles Matco avec d'autres chargeurs
- Utiliser le chargeur de Matco pour charger d'autres piles
- Utilisation du chargeur avec un cordon ou une prise endommagée

UN ENTRETIEN APPROPRIÉ MAXIMISERA LA VIE DU PRODUIT Veuillez noter qu'il y a des différences dans l'entretien de pile Lithium-Ion et de cadmium-nickel.

ENTRETIEN APPROPRIÉ DES PILES MATCO INFINIUM LITHIUM-ION (LI-ION)

- Toutes les piles Li-ion sont sensibles aux températures élevées et devraient être maintenues au frais, au sec, et hors de l'exposition à la lumière directe. La température ambiante idéale pour l'utilisation et l'entreposage se situe entre 32 et 75 °F. Les piles Li-ion peuvent être entreposées au réfrigérateur, mais les congélateurs ne sont pas recommandés.

- Ne laissez pas les piles inutilisées pendant des périodes prolongées, particulièrement quand la pile est entièrement chargée ou entièrement déchargée. Amenez une pile Li-ion au niveau de charge de 50 % approximativement avant l'entreposage.
- Les piles Li-ion sont sensibles au choc. Évitez de les échappées, de les frapper ou de les exposer à la vibration.
- La pile Li-ion peut être rechargée fréquemment et rechargée avant qu'elle ne soit entièrement à plat. La pile Li-ion, en fait, est idéalement rechargeable avant qu'elle ne soit complètement à plat. La recharge quand il y a de 25 % — 50 % de sa capacité demeurant dans la pile peut prolonger sa durée de vie.
- Les contaminants peuvent compromettre le fonctionnement et la durée de vie des piles Li-ion. Réduisez au minimum l'exposition de la pile à la poussière, à la saleté, et aux petites particules.
- Rechargez les piles Li-ion de Matco seulement dans les dispositifs de rechargement Matco qui sont conçus spécifiquement pour ce type de pile. Ne soumettez jamais les piles à aucun dispositif de charge rapide, décharge rapide, régénération rapide.

ENTRETIEN APPROPRIÉ DES PILES CADMIUM-NICKEL (NI-CD) DE MATCO

- Toutes les piles NI-CD sont sensibles aux températures élevées et devraient être maintenues au frais, au sec, et hors de l'exposition à la lumière directe. La température ambiante idéale pour l'utilisation et l'entreposage se situe entre 32 et 70 °F. Les piles NI-CD peuvent être entreposées au réfrigérateur, mais les congélateurs ne sont pas recommandés.
- Ne laissez pas les piles inutilisées pendant des périodes prolongées, entreposez les piles NI-CD entièrement déchargées dans un endroit frais et sec.
- Les piles Ni-Cd sont sensibles au choc. Évitez de les échappées, de les frapper ou de les exposer à la vibration.
- Les piles Ni-Cd doivent être entièrement déchargées à l'intérieur de l'outil avant la recharge. En outre, la pile doit être entièrement chargée avant qu'elle ne soit retirée du chargeur. Les recharges et le retrait fréquent de la pile de l'outil à des niveaux intermittent peuvent réduire la capacité de la pile.
- Exécutez « le cycle de régénération » pour les piles Ni-Cd avec le chargeur universel MUCHRG1 de Matco sur une base mensuelle. Pour une utilisation légère, exécuter cette fonction une fois tous les trois mois. Notez que ce dispositif n'est pas applicable ou nécessaire pour les piles Li-ion.
- Les contaminants peuvent compromettre le fonctionnement et la durée de vie des piles Ni-Cd. Réduisez au minimum l'exposition de la pile à la poussière, à la saleté, et aux petites particules.
- Rechargez les piles Ni-Cd de Matco seulement dans les dispositifs de rechargement Matco qui sont conçus spécifiquement pour ce type de pile. Ne soumettez jamais les piles à aucun dispositif de charge rapide, décharge rapide, régénération rapide.

MUC12LC Chargeur Li-ion 12V

GARANTIE SANS FIL DE MATCO

OUTILS SANS FILS MATCO 12V

Matco Tools garantit ses outils 12V contre tout défaut de fabrication ou de matériaux pour une durée de deux (2) ans à compter de la date d'achat originale avec une année de service gratuit. Pendant la deuxième année, si l'inspection montre que le problème est causé par un défaut de fabrication et/ou de matériaux, Matco va le réparer (ou le remplacer à notre choix) sans frais. L'enregistrement de votre outil est requis, que vous le fassiez à travers votre distributeur Matco autorisé local ou par le formulaire d'enregistrement accompagnant votre achat et dûment complété. Les produits défectueux doivent être retournés et analysés par Tri-County Power Tool, Inc. aux États-Unis ou Pneutool Parts & Services, Ltd au Canada, aux adresses indiquées plus bas, par envoi pré-payé. La révision ou la réparation de tout outil par l'utilisateur ou un centre de service non-autorisé annulera la garantie dont il bénéficie.

L'usage incorrect, abusif, ou l'usure normale ne sont pas couverts par la garantie. Les défauts de fabrication et de matériaux ne s'appliquent pas dans les cas suivants :

- Les réparations ont été faites ou tentées par un centre de service ou un individu non-autorisé.
- Les réparations sont le résultat d'une usure normale de l'outil. L'usure normale comprend entre autres l'usure des brosses de carbone, l'usure des TPR (portions de prise de caoutchouc thermoplastique), une défaillance de l'interrupteur, l'usure du PCB (carte de circuit imprimé) ou des anneaux de retenue de douille, etc. Ce sont des exemples de défaillances qui peuvent ne pas être couvertes par la garantie de défaut de fabrication ou de matériaux et être plutôt considérées comme étant de l'usure normale.
- L'outil a été utilisé de façon incorrecte ou abusive, ou n'a pas reçu d'entretien adéquat. Par exemple, les têtes de cliquet sans-fil doivent être enduites de graisse, et les moteurs d'outil ne devraient pas être exposés à des substances nocives comme les produits nettoyants chimiques, la saleté et la poussière excessives ou des rognures ou débris métalliques.
- Le produit a subi des altérations ou été utilisé avec des accessoires inadéquats.

PILE MATCO LITHIUM-ION 12V MUC12LB et MUC122LB / CHARGEUR MUC12LC

Matco Tools garantit ses (piles et chargeurs) 12V contre tout défaut de fabrication ou de matériaux pour une durée de 2 ans à compter de la date d'achat originale. L'enregistrement de votre outil est requis à travers votre distributeur Matco autorisé local et/ou le formulaire d'enregistrement accompagnant votre achat et dûment complété. Si jamais la pile ou le chargeur avait une défaillance pendant la période de garantie, la pièce doit être retournée et analysée par Tri-County Power Tool, Inc. ou Pneutool Parts & Services, Ltd, aux adresses indiquées plus bas, par envoi pré-payé. Un défaut de capacité de la pile pourrait être défini comme une pile ne se chargeant plus ou ne gardant plus sa charge pour la période précisée par le centre Matco Tools Repair. En fonction de leur évaluation, Matco Tools, à sa discrétion, pourra réparer ou remplacer la ou les piles jugées défectueuses en termes de fabrication ou de matériaux, sans frais. Veuillez consulter le guide Matco Battery Care dans le manuel de fonctionnement sans-fil pour tout produit Infinium. Vous y trouverez des conseils pratiques qui pourront maximiser le temps de vie utile de votre pile.

L'adresse pour les retours est la suivante :

TRI-COUNTY POWER TOOL, INC.

1300 Brookpark Rd.

Cleveland, OH 44109

(216) 398-6120

Télécopie : (216) 398-6121

Sans frais : 1-866-873-8278

PNEUTOOL PARTS AND SERVICE CO. LTD.

33 Haas Rd.

Toronto, ON M9W 3A1 Canada

(416) 748-2100

(888) 748-1201 Sans frais d'interurbain Canada