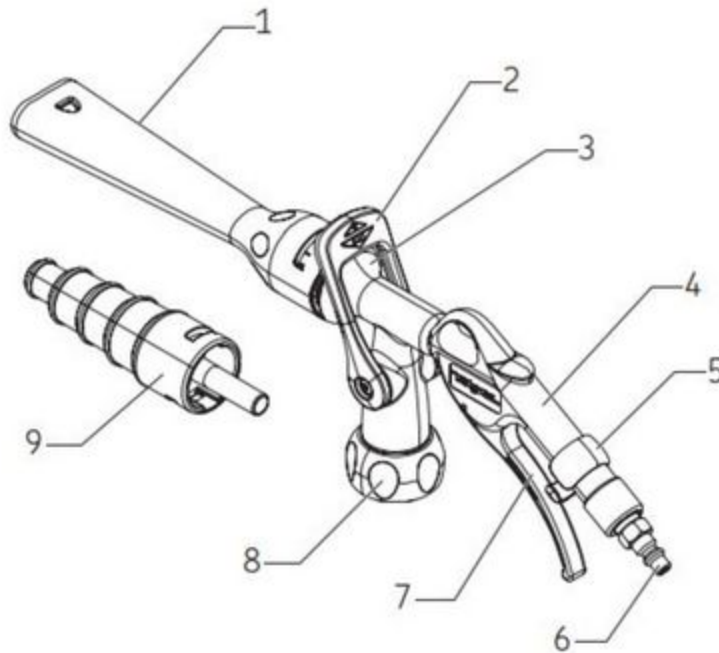


MV7270 - SPRAY WASHER & COOLING FLUSH

Spray washer and cooling system flusher, MV7270



Parts

Item	Description	Part
1	Spray washer nozzle	MVA720
2	Water flow adjuster valve	820068
3	Bayonet connection	
4	Tool base	
5	Air valve handle latching clip	801035
6	Air nipple, 1/4 in inlet	
7	Air valve handle	
8	Swivel inlet, 3/4 in GHT	
9	Flusher nozzle	MVA430

Item: MV7270

Description: SPRAY WASHER & COOLING FLUSH

Notes: N/A

Figure No	Part Number	Description	No. Reqd	Warranty Code
1	*MMMVA720	SPRAY WASHER NOZZLE	1	
2	*MM820068	WATER FLOW ADJUSTER VALVE	1	
5	*MM801035	AIR VALVE HANDLE LATCHING CLIP	1	
9	*MMMVA430	FLUSHER NOZZLE	1	