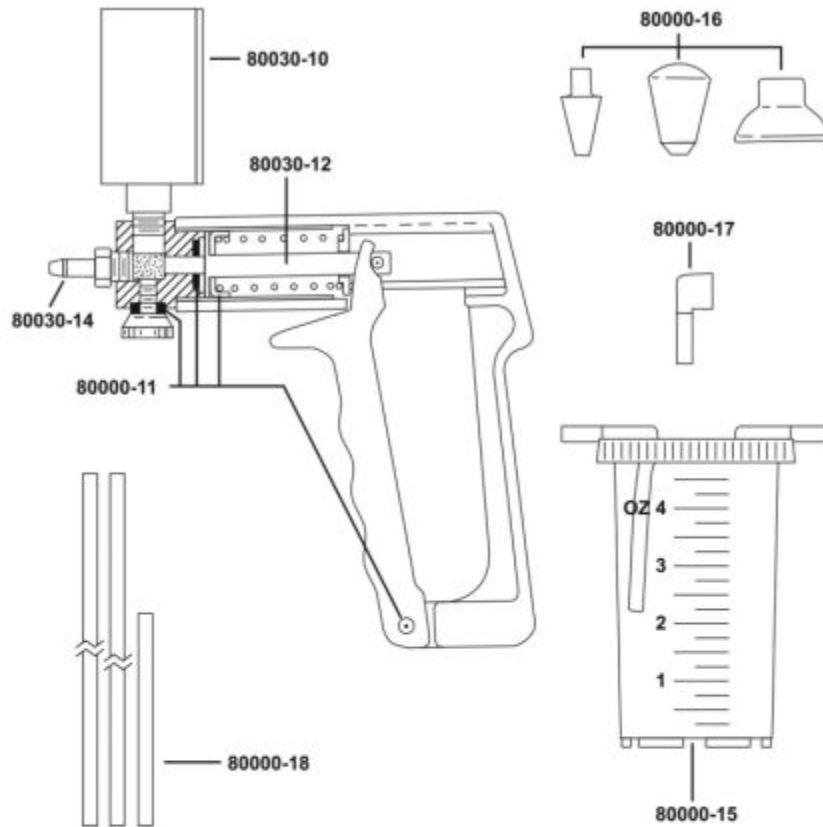


MVTKIT - TESTVAC VACUUM TEST KIT



PART No.	DESCRIPTION
80030-10	Gauge
80000-11	Repair Kit - Cup Check Valve Release Valve 'O' Ring Filter Handle Roll Pin
80030-12	Piston/Rod Assembly - Piston Rod Cup Spring Washer Handle Roll Pin
80030-14	Hose Fitting

PART No.	DESCRIPTION
80000-15	Container Container Cap 3.6 x 70mm Hose
80000-16	Fittings Kit - 12 Assorted Fittings
80000-17	Brake Bleeder Fitting
80000-18	Hose Kit - 2 x 6mm x 9mm x 500mm PVC hose 1 x 6mm x 9mm x 100mm PVC hose

Item: MVTKIT

Description: TESTVAC VACUUM TEST KIT

Notes: N/A

Figure No	Part Number	Description	No. Reqd	Warranty Code
-----------	-------------	-------------	----------	---------------