

**⚠ WARNING ⚠**

Study, understand and follow all instructions provided with this product. Read these instructions carefully before installing, operating, servicing or repairing this tool. Keep these instructions in a safe accessible place.

### INTENDED USE OF THE TOOL

This tool is designed as a hand-held portable rechargeable battery powered light source with interchangeable lithium battery cells to provide direct light to work areas. Do not use this tool outside of the designed intent. Never modify the tool for any other purpose or use.

**⚠ WARNING ⚠**

### Caution: To help prevent personal injury avoid looking directly at light.

- **Normal use of this product is likely to expose the user to dust and/or microscopic particles containing chemicals known to the State of California to cause cancer, birth defects or other reproductive harm. Always wear appropriate safety equipment and clothing when using this product. Study, understand and follow all instructions provided with this product. Failure to read and follow all warnings and operating instructions may result in damages and serious injury or death.**
- **Do not completely cover or submerge the unit in water or oil. While designed to handle grime, sustained moisture and oil inside the light will damage connections.**
- **Do not operate the charger or charger adapters if it has been subjected to shock or damage; failure to do so may cause fire and may result in personal injury and property damage.**
- **Do not use when it is wet, it can cause electric shock.**
- **This is not a toy. Do not allow children to play with this item.**
- **Do not stare into the beam when the light-bar is turn on, it can cause damage to the eyes.**
- **Never plug in nor remove the charger adapter plug with wet hands, as doing so may cause electric shock.**
- **Avoid using the charger adapter in humid or dusty locations, in locations exposed to the direct sunlight, near the heaters, or in locations generating sooty smoke or steam as doing so may result in fire or electric shock.**

### PRODUCT INFORMATION:

**Industry leading design.** Innovative, wheel adjustable 700 lumen light with 90 lumen top flashlight.

**Zero down time.** Use your worklight like your other cordless tools by swapping interchangeable batteries when light is low, or charge both at the same time with the quick charging base that charges at 2X speed.

**Get more.** Includes massive capacity 4,500mAh and 2,600mAh 26650 and 18650 standard size lithium batteries, quick change 20 lbs. magnetic swivel base with folding hook and 2X power charger.

### 1 YEAR LIMITED WARRANTY

The manufacturer warrants this product to the original user against defective material or workmanship for a period of 1 year from the date of purchase.

The manufacturer reserves the right to determine whether the part or parts failed because of defective material, workmanship or other causes. Failures caused by accident, alteration, or misuse are not covered by this warranty.

The manufacturer, at its discretion, will repair or replace product covered under this warranty free of charge. Repairs or replacements of products covered under this warranty are warranted for the remainder of the original warranty period.

The manufacturer or its authorized service representatives must perform all warranty repairs. Any repair to the product by unauthorized service representatives voids this warranty. The rights under this warranty are limited to the original user and may not be transferred to subsequent owners.

The warranty is in lieu of all other warranties, expressed or implied, including warranties of merchantability and fitness for a particular purpose. Some states do not allow the exclusion or limitations of incidental or consequential damages, so the above limitations may not apply to you.

### BEFORE USE

When unpacking, check the parts diagram and part number listing on page 7 to make sure all parts are included. If any parts are missing or damaged, please call your distributor.



Top Flashlight



Wheel Adjustment Switch



Magnet Swivel Base w/ Hook

Made in China to Matco specifications

**DO NOT DISCARD – GIVE TO USER**

**TECHNICAL SPECIFICATIONS:**

Illuminant	Front: COB Flashlight: 1 x SMD
Luminous flux	Front: 700 lm (when on full charge, max can reach 750 lm +/- 40 lm) Flashlight: 90 lm
Color temperature	5500K (+/- 300K)
Input voltage	5V $\overline{=}$ 2A-3A
Output	Light Charging Location: 4.2V $\overline{=}$ 1A(Max.)  Quick Charging Slot: 4.2V $\overline{=}$ 1A(Max.)
Operating time	For 18650: 2.5H (High), 4.5H (Medium) Front COB, 14H Top SMD  For 26650: 4-4.5H (High), 7H (Medium) Front COB, 22H Top SMD
Charging time	For 2X Quick Charging Slot: 2.8H (18650), 4.5H (26650)  For Light Charging Location: 4.5H (18650), 6.5-7H (26650)
Battery	Li-Ion 3.7V
Switch	Adjustable Dimming Vertical Wheel + Button Switch Flashlight
Operating temperature	-10°C ~ +46°C
Dimensions L/W/H	170 x 85 x 450mm
Net weight	600g (without battery)
Materials	Nylon + PMMA - Chemical resistant material

**SAFETY NOTES:**

1. Prior to charging, make sure the right voltage (110/120V) is available.
2. Prior to each charge, make sure the light and wall outlet supply cable is not damaged in any way. Never use the product if you find damage.
3. Do not use the product in explosive environments in which flammable liquids, gases or dusts are present. Risk to life!
4. LED lights are extremely bright. Do not look directly at the lamp.

**MAINTENANCE:**

**PLEASE NOTE:**

The COB light source is not replaceable; when the light source reaches its end of life the whole light should be replaced.

**CLEANING:**

Do not use solvents, corrosive cleaners or the like. Use a dry or slightly moist cloth for cleaning ONLY.

**DISPOSAL:**

Dispose of electrical devices in an environmentally responsible manner!

Do not dispose of electrical devices and especially battery cells with household rubbish.

Please contact your local authorities for available disposal options for your worn-out device.

**! WARNING**

**Your BATTERIES**

1. Because lithium battery cells normally cycle out in products before the light has stopped working, this light has been designed to interchangeably use 18650 and 26650 style batteries increasing the life of the tool.
2. While other brands and sources of 18650 and 26650 lithium batteries may make this light function, note that the provided part# BAT2600 and BAT4500 batteries are high quality UL listed products rated and designed for use with this light, quick charging base and wall adapter.
3. Use of other other batteries may not operate the light to its advertised specs, may damage the batteries when charged, damage the charger or light itself, cause damage to property, and/or cause injury or death in the event of a fire or shock.
4. The wall adapter provided with this product is also designed specifically for this product. Use of other USB style products will likely not charge at the advertised rate and may cause damage or injury.



QUICK CHANGE  
ADJUSTABLE LIGHT

MWL700

⚠️ ADVERTENCIA ⚠️

Estudie, entienda y siga todas las instrucciones que se proveen con este producto. Lea las instrucciones detenidamente antes de instalar, operar, dar servicio o reparar esta herramienta. Guarde estas instrucciones en un lugar seguro y accesible.

EL USO DE LA HERRAMIETA

This tool is designed as a hand-held portable rechargeable battery powered light source with interchangeable lithium battery cells to provides direct light to work areas. Do not use this tool outside of the designed intent. Never modify the tool for any other purpose or use.

⚠️ ADVERTENCIA ⚠️

Caution: To help prevent personal injury avoid looking directly at light.

- Normal use of this product is likely to expose the user to dust and/or microscopic particles containing chemicals known to the State of California to cause cancer, birth defects or other reproductive harm. Always wear appropriate safety equipment and clothing when using this product. Study, understand and follow all instructions provided with this product. Failure to read and follow all warnings and operating instructions may result in damages and serious injury or death.
- Do not completely cover or submerge the unit in water or oil. While designed to handle grime, sustained moisture and oil inside the light will damage connections.
- Do not operate the charger or charger adapters if it has been subjected to shock or damage; failure to do so may cause fire and may result in personal injury and property damage.
- Do not use when it is wet, it can cause electric shock.
- This is not a toy. Do not allow children to play with this item.
- Do not stare into the beam when the light-bar is turn on, it can cause damage to the eyes.
- Never plug in nor remove the charger adapter plug with wet hands, as doing so may cause electric shock.
- Avoid using the charger adapter in humid or dusty locations, in locations exposed to the direct sunlight, near the heaters, or in locations generating sooty smoke or steam as doing so may result in fire or electric shock.

INFORMACIÓN DEL PRODUCTO:

Industry leading design. Innovative, wheel adjustable 700 lumen light with 90 lumen top flashlight.

Zero down time. Use your worklight like your other cordless tools by swapping interchangeable batteries when light is low, or charge both at the same time with the quick charging base that charges at 2X speed.

Get more. Includes massive capacity 4,500mAh and 2,600mAh 26650 and 18650 standard size lithium batteries, quick change 20 lbs. magnetic swivel base with folding hook and 2X power charger.

GARANTÍA LIMITADA DE UN AÑO

El fabricante garantiza este producto al usuario original contra defectos de materiales o de mano de obra durante un periodo de un año a partir de la fecha de compra.

El fabricante se reserva el derecho a determinar si una pieza o piezas fallaron debido a material defectuoso, mano de obra, o por otras causas. Esta garantía no cubre fallas causadas por accidentes, alteraciones o uso indebido.

El fabricante, a su entera discreción, reparará o reemplazará los productos cubiertos por esta garantía sin costo alguno. Las reparaciones o reemplazos de productos cubiertos por esta garantía quedan garantizados durante el resto del periodo original de garantía.

El fabricante o sus representantes autorizados de servicio deben llevar a cabo todas las reparaciones de garantía. Toda reparación hecha al producto por representantes de servicio no autorizados invalida la presente garantía.

Los derechos que ampara esta garantía están limitados al usuario original y no se pueden transferir a dueños posteriores. Esta garantía reemplaza a todas las demás garantías expresas o implícitas, incluyendo garantías de comercialización e idoneidad para un propósito particular. Algunos estados no permiten la exclusión o limitaciones de daños incidentales o imprevistos, de manera que las limitaciones mencionadas anteriormente pueden no ser aplicables en su caso.

DESEMPACADO

Cuando desempaque el producto, revise el diagrama y la lista de piezas en página 7 para verificar que se hayan enviado todas las piezas. De perder piezas o tener piezas dañadas, favor llamar a su distribuidor inmediatamente.



Top Flashlight



Wheel Adjustment Switch



Magnet Swivel Base w/ Hook

HECHO en China para Matco especificaciones

NO LO DESCARTE O DESECHE, ENTREGUELO AL USUARIO



QUICK CHANGE  
ADJUSTABLE LIGHT

MWL700

TECHNICAL SPECIFICATIONS:

Illuminant	Front: COB Flashlight: 1 x SMD
Luminous flux	Front: 700 lm (when on full charge, max can reach 750 lm +/- 40 lm) Flashlight: 90 lm
Color temperature	5500K (+/- 300K)
Input voltage	5V == 2A-3A
Output	Light Charging Location: 4.2V == 1A(Max.)  Quick Charging Slot: 4.2V == 1A(Max.)
Operating time	For 18650: 2.5H (High), 4.5H (Medium) Front COB, 14H Top SMD  For 26650: 4-4.5H (High), 7H (Medium) Front COB, 22H Top SMD
Charging time	For 2X Quick Charging Slot: 2.8H (18650), 4.5H (26650)  For Light Charging Location: 4.5H (18650), 6.5-7H (26650)
Battery	Li-Ion 3.7V
Switch	Adjustable Dimming Vertical Wheel + Button Switch Flashlight
Operating temperature	-10°C ~ +46°C
Dimensions L/W/H	170 x 85 x 450mm
Net weight	600g (without battery)
Materials	Nylon + PMMA - Chemical resistant material

SAFETY NOTES:

1. Prior to charging, make sure the right voltage (110/120V) is available.
2. Prior to each charge, make sure the light and wall outlet supply cable is not damaged in any way. Never use the product if you find damage.
3. Do not use the product in explosive environments in which flammable liquids, gases or dusts are present. Risk to life!
4. LED lights are extremely bright. Do not look directly at the lamp.

MAINTENANCE:

PLEASE NOTE:  
The COB light source is not replaceable; when the light source reaches its end of life the whole light should be replaced.

CLEANING:

Do not use solvents, corrosive cleaners or the like. Use a dry or slightly moist cloth for cleaning ONLY.

DISPOSAL:

Dispose of electrical devices in an environmentally responsible manner!  
Do not dispose of electrical devices and especially battery cells with household rubbish.  
Please contact your local authorities for available disposal options for your worn-out device.

**! ADVERTENCIA**

**Your BATTERIES**

1. Because lithium battery cells normally cycle out in products before the light has stopped working, this light has been designed to interchangeably use 18650 and 26650 style batteries increasing the life of the tool.
2. While other brands and sources of 18650 and 26650 lithium batteries may make this light function, note that the provided part# BAT2600 and BAT4500 batteries are high quality UL listed products rated and designed for use with this light, quick charging base and wall adapter.
3. Use of other other batteries may not operate the light to its advertised specs, may damage the batteries when charged, damage the charger or light itself, cause damage to property, and/or cause injury or death in the event of a fire or shock.
4. The wall adapter provided with this product is also designed specifically for this product. Use of other USB style products will likely not charge at the advertised rate and may cause damage or injury.



**⚠️ AVERTISSEMENT ⚠️**

Etudier, comprendre et suivre toutes les instructions fournies avec ce produit. Lire ces instructions attentivement avant d'installer, d'utiliser, d'entretenir et de réparer cet outil. Conserver ces instructions dans un endroit sécuritaire et accessible.

**UTILISATION PRÉVUE DE L'OUTIL**

This tool is designed as a hand-held portable rechargeable battery powered light source with interchangeable lithium battery cells to provides direct light to work areas. Do not use this tool outside of the designed intent. Never modify the tool for any other purpose or use.

**⚠️ AVERTISSEMENT ⚠️**

**Caution: To help prevent personal injury avoid looking directly at light.**

- Normal use of this product is likely to expose the user to dust and/or microscopic particles containing chemicals known to the State of California to cause cancer, birth defects or other reproductive harm. Always wear appropriate safety equipment and clothing when using this product. Study, understand and follow all instructions provided with this product. Failure to read and follow all warnings and operating instructions may result in damages and serious injury or death.
- Do not completely cover or submerge the unit in water or oil. While designed to handle grime, sustained moisture and oil inside the light will damage connections.
- Do not operate the charger or charger adapters if it has been subjected to shock or damage; failure to do so may cause fire and may result in personal injury and property damage.
- Do not use when it is wet, it can cause electric shock.
- This is not a toy. Do not allow children to play with this item.
- Do not stare into the beam when the light-bar is turn on, it can cause damage to the eyes.
- Never plug in nor remove the charger adapter plug with wet hands, as doing so may cause electric shock.
- Avoid using the charger adapter in humid or dusty locations, in locations exposed to the direct sunlight, near the heaters, or in locations generating sooty smoke or steam as doing so may result in fire or electric shock.

**INFORMATIONS PRODUIT:**

**Industry leading design.** Innovative, wheel adjustable 700 lumen light with 90 lumen top flashlight.

**Zero down time.** Use your worklight like your other cordless tools by swapping interchangeable batteries when light is low, or charge both at the same time with the quick charging base that charges at 2X speed.

**Get more.** Includes massive capacity 4,500mAh and 2,600mAh 26650 and 18650 standard size lithium batteries, quick change 20 lbs. magnetic swivel base with folding hook and 2X power charger.

**1 ANNÉE DE GARANTIE LIMITÉE**

Le fabricant garantit à l'acheteur initial que ce produit est exempt de tout vice de matériau et de fabrication pendant une période de une année suivant la date de l'achat.

Le fabricant se réserve le droit de déterminer si la pièce ou les pièces défectueuses sont imputables à un matériau défectueux, à un défaut de fabrication ou à d'autres causes. Les défaillances causées par un accident, une modification ou une utilisation incorrecte ne sont pas couvertes par la présente garantie.

Le fabricant, à sa seule discrétion, réparera ou remplacera sans frais les produits couverts par cette garantie. Les réparations ou les remplacements de produits couverts par cette garantie sont garantis pour le reste de la période de garantie initiale.

Le fabricant ou ses représentants de service autorisés doivent exécuter les réparations sous garantie. Toute réparation du produit effectuée par un représentant de service non-autorisé annulera cette garantie. Les droits couverts par cette garantie sont limités à l'acheteur initial et ne peuvent être transférés aux propriétaires subséquents.

Cette garantie remplace toutes autres garanties, expresses ou implicites, incluant les garanties de valeur marchande ou d'adaptation à un usage particulier. Certains États ou provinces ne permettent pas d'exclure ou de limiter les dommages consécutifs ou indirects, donc les limitations ci-dessus pourraient ne pas s'appliquer.

**DÉBALLAGE**

Lors du déballage, vérifier que les pièces contenues dans le schéma et la liste des numéros de pièces de la page 7 sont toutes incluses. Si une pièce est manquante ou abîmée, veuillez appeler immédiatement votre distributeur.



Top Flashlight



Wheel Adjustment Switch



Magnet Swivel Base w/ Hook

Fabriqué à Chine  
les spécifications de Matco

**NE PAS JETER-DONNER À L'UTILISATEUR**

(FRENCH)



## QUICK CHANGE ADJUSTABLE LIGHT

MWL700

### TECHNICAL SPECIFICATIONS:

Illuminant	Front: COB Flashlight: 1 x SMD
Luminous flux	Front: 700 lm (when on full charge, max can reach 750 lm +/- 40 lm) Flashlight: 90 lm
Color temperature	5500K (+/- 300K)
Input voltage	5V $\Rightarrow$ 2A-3A
Output	Light Charging Location: 4.2V $\Rightarrow$ 1A(Max.)  Quick Charging Slot: 4.2V $\Rightarrow$ 1A(Max.)
Operating time	For 18650: 2.5H (High), 4.5H (Medium) Front COB, 14H Top SMD  For 26650: 4-4.5H (High), 7H (Medium) Front COB, 22H Top SMD
Charging time	For 2X Quick Charging Slot: 2.8H (18650), 4.5H (26650)  For Light Charging Location: 4.5H (18650), 6.5-7H (26650)
Battery	Li-Ion 3.7V
Switch	Adjustable Dimming Vertical Wheel + Button Switch Flashlight
Operating temperature	-10°C ~ +46°C
Dimensions L/W/H	170 x 85 x 450mm
Net weight	600g (without battery)
Materials	Nylon + PMMA - Chemical resistant material

### SAFETY NOTES:

1. Prior to charging, make sure the right voltage (110/120V) is available.
2. Prior to each charge, make sure the light and wall outlet supply cable is not damaged in any way. Never use the product if you find damage.
3. Do not use the product in explosive environments in which flammable liquids, gases or dusts are present. Risk to life!
4. LED lights are extremely bright. Do not look directly at the lamp.

### MAINTENANCE:

#### PLEASE NOTE:

The COB light source is not replaceable; when the light source reaches its end of life the whole light should be replaced.

### CLEANING:

Do not use solvents, corrosive cleaners or the like. Use a dry or slightly moist cloth for cleaning ONLY.

### DISPOSAL:

Dispose of electrical devices in an environmentally responsible manner!

Do not dispose of electrical devices and especially battery cells with household rubbish.

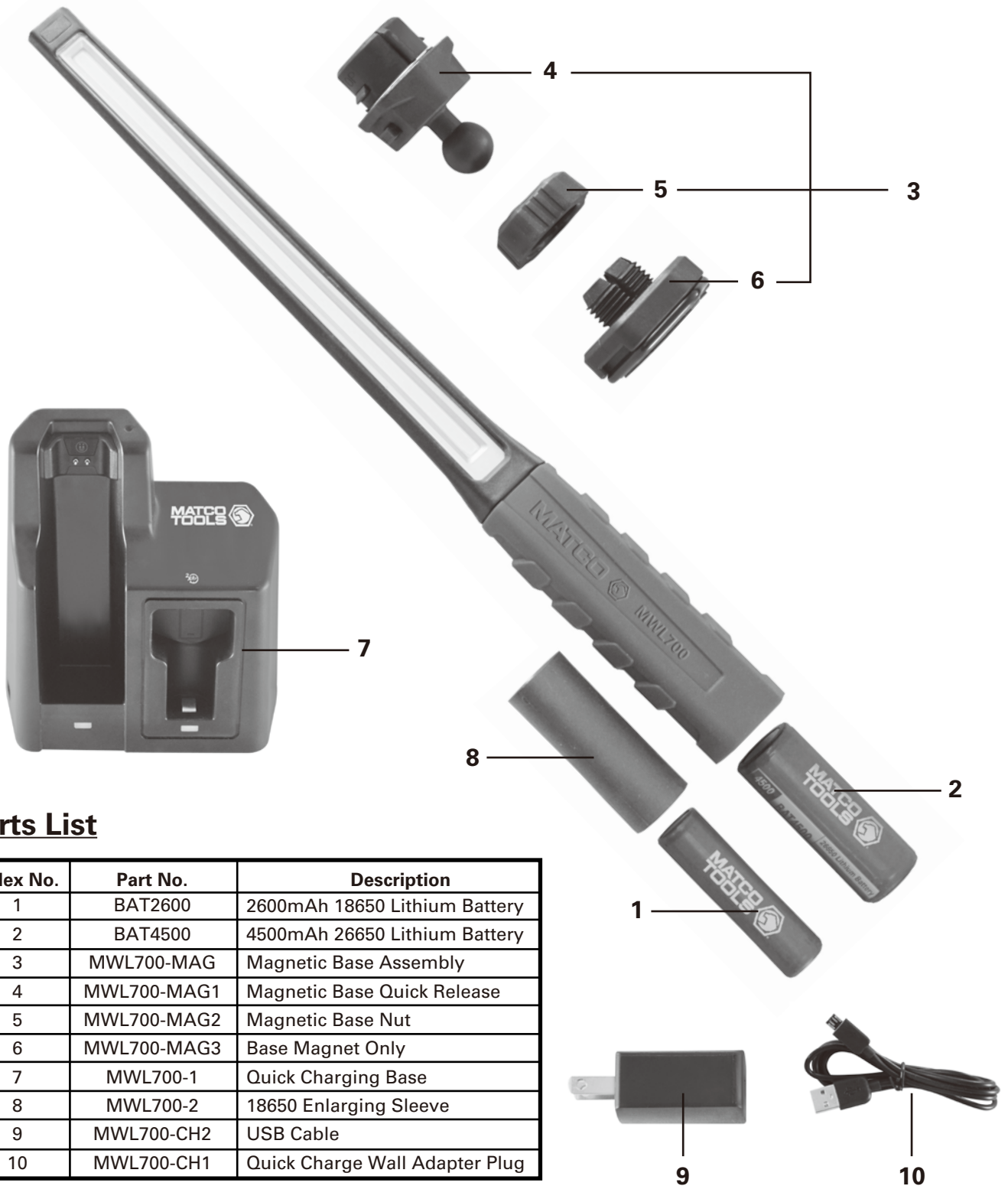
Please contact your local authorities for available disposal options for your worn-out device.

# ! AVERTISSEMENT

## Your BATTERIES

1. Because lithium battery cells normally cycle out in products before the light has stopped working, this light has been designed to interchangeably use 18650 and 26650 style batteries increasing the life of the tool.
2. While other brands and sources of 18650 and 26650 lithium batteries may make this light function, note that the provided part# BAT2600 and BAT4500 batteries are high quality UL listed products rated and designed for use with this light, quick charging base and wall adapter.
3. Use of other other batteries may not operate the light to its advertised specs, may damage the batteries when charged, damage the charger or light itself, cause damage to property, and/or cause injury or death in the event of a fire or shock.
4. The wall adapter provided with this product is also designed specifically for this product. Use of other USB style products will likely not charge at the advertised rate and may cause damage or injury.

**PARTS BREAKDOWN**



**Parts List**

Index No.	Part No.	Description
1	BAT2600	2600mAh 18650 Lithium Battery
2	BAT4500	4500mAh 26650 Lithium Battery
3	MWL700-MAG	Magnetic Base Assembly
4	MWL700-MAG1	Magnetic Base Quick Release
5	MWL700-MAG2	Magnetic Base Nut
6	MWL700-MAG3	Base Magnet Only
7	MWL700-1	Quick Charging Base
8	MWL700-2	18650 Enlarging Sleeve
9	MWL700-CH2	USB Cable
10	MWL700-CH1	Quick Charge Wall Adapter Plug