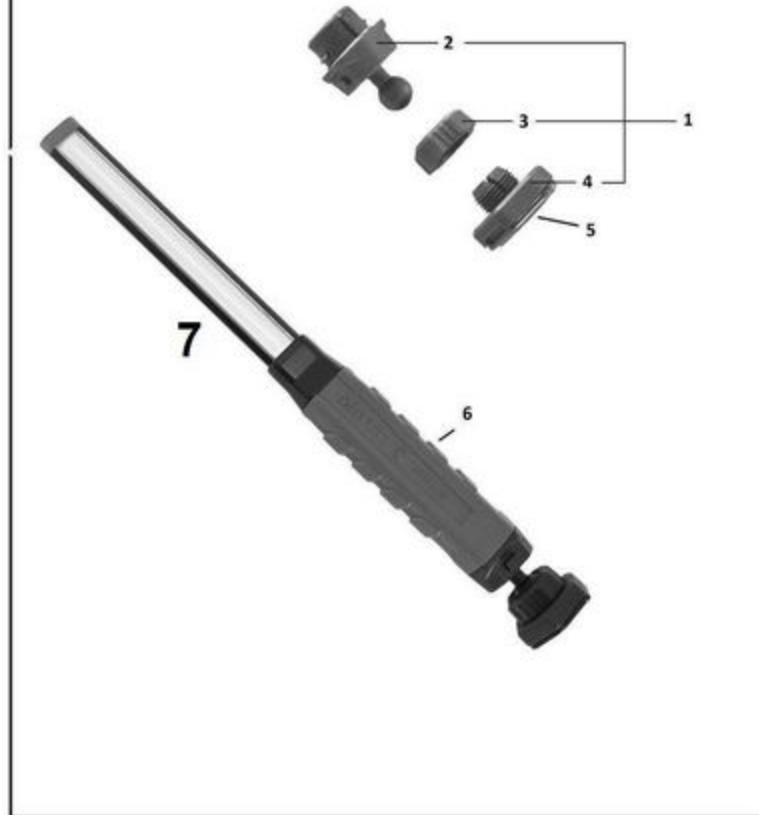


MWL900L - 900LM QUICK CHANGE LIGHT ONLY



PARTS BREAKDOWN



Item: MWL900L

Description: 900LM QUICK CHANGE LIGHT ONLY

Notes: MWL900L previously had D warranty but was changed to M warranty to prevent the entire light from being warrantied rather than its individual parts. The DBR should call the Supplier and troubleshoot. Call: 626-228-3170
The supplier will replace or send needed replacement parts. The supplier will replace the entire light if necessary.

Figure No	Part Number	Description	No. Reqd	Warranty Code
1	H1MWL700-MAG	MAGNETIC BASE ASSEMBLY	1	D
2	*H1MWL700MAG1	MAGNETIC BASE QUICK RELEASE	1	
3	*H1MWL700MAG2	MAGNETIC BASE NUT	1	
4	H1MWL700MAG3	BASE MAGNET (ONLY)	1	D
5	H1MWL700MGBR	BASE RUBBER COVER	1	D
6	*H1MWL900-3	RUBBER HANDLE CVR F/ MWL900	1	
7	*H1MWL900-L	MWL900 LIGHT BODY ONLY	1	