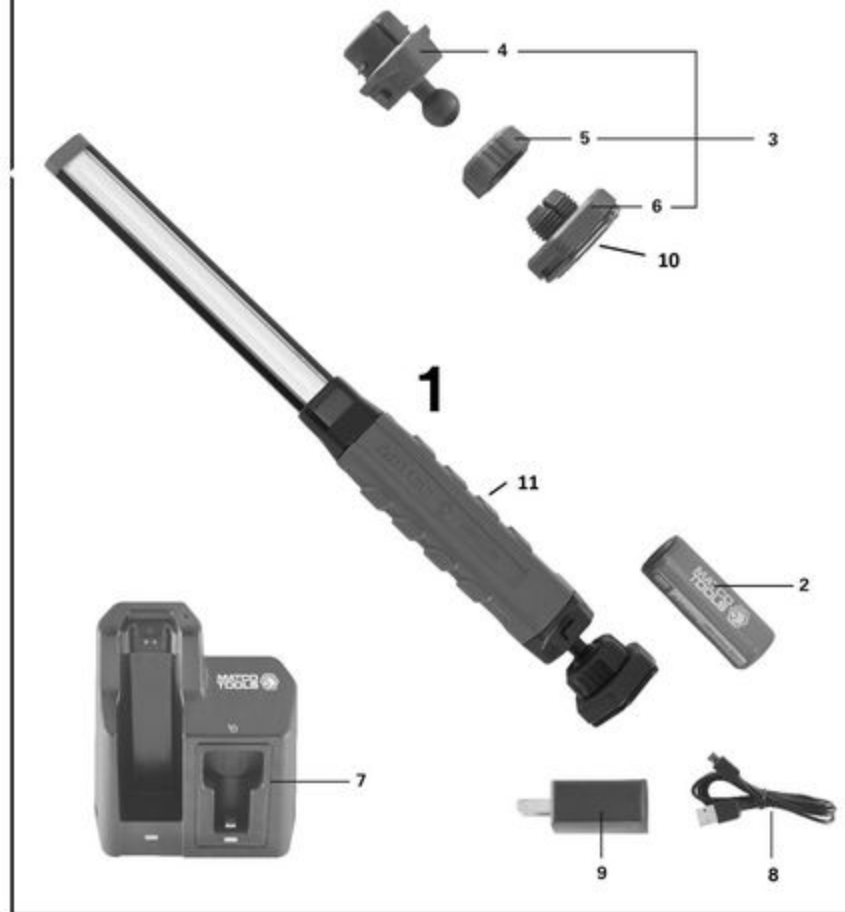


MWL900 - QUICK CHANGE 900LM LIGHT



PARTS BREAKDOWN



Item: MWL900

Description: QUICK CHANGE 900LM LIGHT

Notes: MWL900 previously had a D warranty but ws change to M warranty to prevent the entire set from being warrantied rather than individual parts. The DBR should call the Supplier and troubleshoot. Call: 626-228-3170
The supplier will replace or send needed replacement parts. The supplier will replace the entire light if necessary.
Light also works with BAT2600 and BAT4500 batteries.

Figure No	Part Number	Description	No. Reqd	Warranty Code
1	*H1MWL900-L	MWL900 LIGHT BODY ONLY	1	
2	*H1BAT5000	5000MAH 26650 LITHIUM BATTERY	1	
3	H1MWL700MAG1	MAGNETIC BASE QUICK RELEASE	1	D
4	*H1MWL700MAG1	MAGNETIC BASE QUICK RELEASE	1	
5	*H1MWL700MAG2	MAGNETIC BASE NUT	1	
6	H1MWL700MAG3	BASE MAGNET (ONLY)	1	D
7	H1MWL700-1	QUICK CHARGING BASE	1	D
8	H1MWL700-CH2	USB CABLE F/MWL700	1	D
9	H1MWL700CH1	QUICK CHARGE WALL ADAPTER PLUG	1	D
10	H1MWL700MGBR	BASE RUBBER COVER	1	D
11	*H1H1MWL900-3	RUBBER HANDLE CVR F/ MWL900	1	