

20W Heavy Duty Rechargeable COB Worklight

NEW!
CE

Powerful COB lights produce super bright light upto 2000 lumens with wide spread illumination

Rugged construction with aluminium die cast housing & rubberised plastic corner protectors make these lights Impact Resistant

Swivel Handle can be rotated 180° and can be adjusted to any angle

Detachable magnet attaches onto any metallic surface leaving both hands free

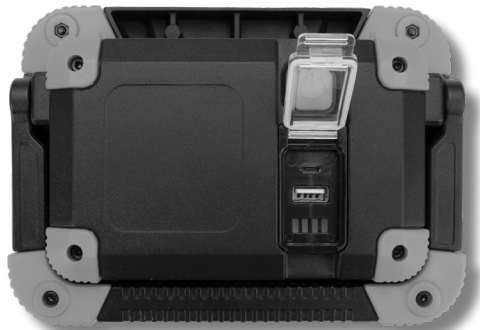
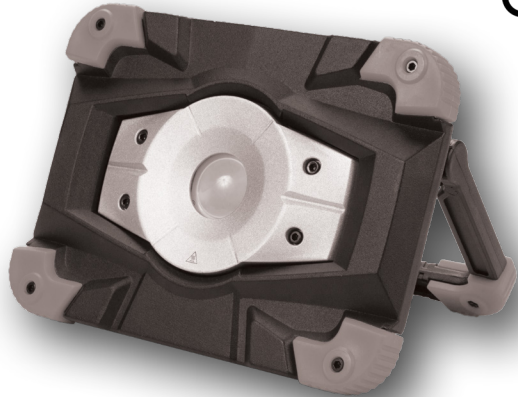
2 Working Mode

1. 100% Intensity
2. 50% Intensity

Ideal for outdoor use on construction equipment, tractors, farm machinery, service vans, emergency vehicles etc.

Available in 2 variants

1. 10W
2. 20W



WATER & DUST PROOF RATING	POWER SOURCE
IP54	5V DC USB CABLE

SPECIFICATIONS

COB LED	20W COB
LUMEN	1000-2000
BATTERY	7.4V, 4400 mAh Li-ion
RUN TIME	3-6 hrs
CHARGING TIME	5 hrs

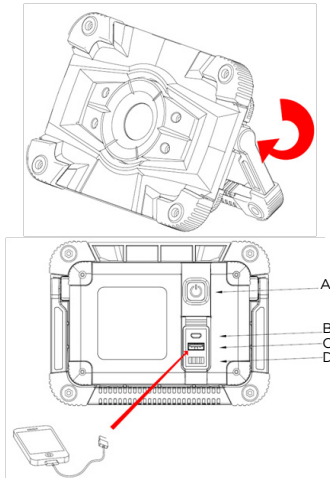
SAFETY INFORMATION

- Keep the work area clean and dry. Damp or wet work areas can result in injury.
- Check for damaged parts and any other conditions that may affect the operation of this product. Replaced damaged parts immediately
- Do not use the lamp in the immediate vicinity of inflammable materials or gases.
- Only use the accessories included with the product.
- Keep the lamp out of reach of unauthorised persons, especially children.
- Do not point the light directly in your own or any other person's or animal's eyes.

PACKAGING CONTENT

DESCRIPTION	QUANTITY
Light	1
Magnetic base	1
USB cable	1

NOMENCLATURE



A.	ON/OFF button (100% /50%)
B.	5V DC micro USB charging port
C.	USB output port for use as Power Bank
D.	4 Battery level indicator

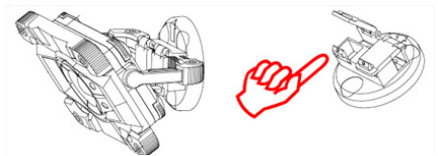
OPERATING INSTRUCTIONS (Refer "NOMENCLATURE")

Charging:

- Fully charge the battery before the first use.
- Turn off the light and connect to the supplied micro USB charger cable.
- When the battery is fully charged, all the indicator LEDs will constantly turn GREEN .
- Full charging takes about 5 hours.

Operation:

- To switch ON the light press the button at the back of the unit.
- To change the intensity of light press the button again.
- Mount the magnetic base on the stand as shown below to mount the light on a metallic surface.



MAINTENANCE

- Before cleaning the LED worklight, disconnect the USB cable(if being charged) and allow the worklight to cool down sufficiently.
- Clean with a dry or slightly moist, clean, lint-free cloth and a mild detergent if required.
- Do not use cleaners that contain abrasives or solvents.
- Check the LED worklight for damage before each use. If the lens is damaged it must be replaced immediately.
- Clean any dirt from the housing or the lens immediately, since it could cause overheating.

DISPOSAL

The components or the used products must be given to companies that specialize in the disposal and recycling of industrial waste.
