

30W COB Rechargeable Worklight

Powerful 30W COB floodlight with dual power source produces super bright light up to 2800 lumen with wide spread illumination

This floodlight works with two power source:

- 115/220V AC
- Rechargeable Li ion Battery

Aluminum die cast housing in premium power coated finish with Rubberised Edge Guard making it Impact Resistant

IK07 Rated

Protected against impact of 0.5 kg mass dropped from 400 mm height

Detachable 7.4V 4400 mAh rechargeable Li-ion battery pack and can also be used a power bank

Comes with detachable magnet base to latch onto any metallic surface

Can be mounted on tripod for outdoor sites

RoHS
CE
IK07



30W COB floodlight

Rubberised Edge Guard

Knob to secure attachment in place

Detachable Magnetic Base

CHARGING TIME	WATER & DUST PROOF RATING
3HRS	IP54
POWER SOURCE	
115/220V AC 5V USB CABLE	

SPECIFICATIONS

POWER SOURCE	Rechargeable Li-ion Battery	AC Supply
WORKING MODES	Two Modes: 1) 100% Intensity 2) 50% Intensity	One Mode: 100% Intensity
LUMEN	1) 100% Intensity: 2800 Lm 2) 50% Intensity: 1400 Lm	100% Intensity: 2800 Lm
RUN TIME	1) 100% Intensity: 2 hrs 2) 50% Intensity: 4 hrs	-

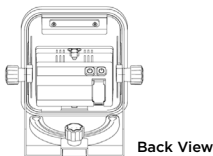
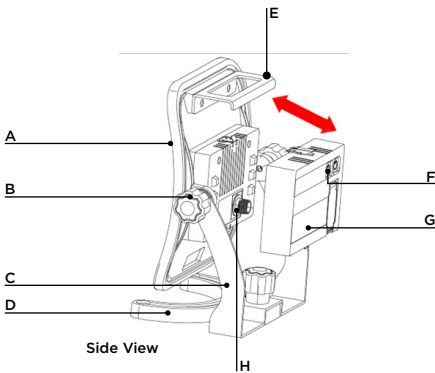
SAFETY INFORMATION

- Check for damaged parts and any other conditions that may affect the operation of this product. Replace damaged parts immediately.
- Do not use the lamp in the immediate vicinity of inflammable materials or gases.
- Only use the accessories included with the product .
- Keep the lamp out of reach of unauthorised persons, especially children.
- Do not point the light directly in your own or any other person's or animal's eyes.

PACKAGE CONTENT

DESCRIPTION	QUANTITY
Light	1
Magnetic base	1
Battery pack	1
Charging cable	1

NOMENCLATURE



A	Light
B	Adjusting Knob
C	Bracket
D	Magnetic
E	Handle
F	Buttons
G	Battery Pack
H	Socket
I	Adaptor

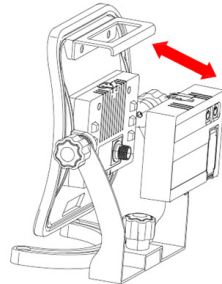
OPERATING INSTRUCTIONS (REFER "NOMENCLATURE")

Charging

1. Fully charge the battery before the first use on battery source.
2. Turn off the light and connect to the supplied charger cable.
3. When the battery is fully charged, all the indicator LEDs will constantly turn GREEN .
4. Full charging takes about 3 hours.

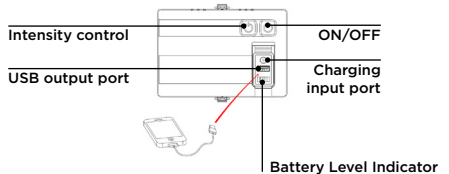
OPERATION

Mount the magnetic base on the bracket as shown below to mount the light on a metal surface.



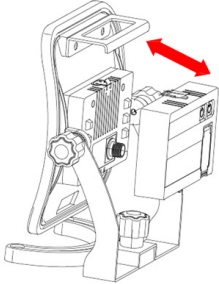
USE WITH BATTERY POWER

- To switch ON the light press the button labeled ON/OFF at the back of the unit.
- To change the intensity of light press the button labeled 50%/100%.
- Power Bank- Insert a USB cable in the USB slot and the device connected with the battery will start charging

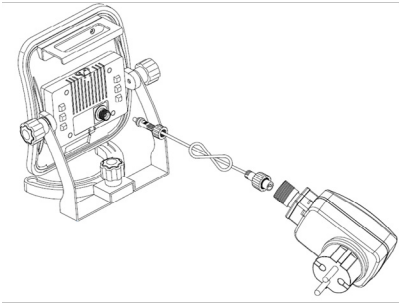


USE WITH AC POWER

1. Remove the battery from the light by opening both the locks on the top and bottom of the battery.



2. Assemble the adaptor and insert the cable inside socket of the light.



3. Switch ON the power to switch on the light.

Note: There is no intensity setting for use in AC power source

MAINTENANCE

- Before cleaning the LED worklight, disconnect the USB cable(if being charged) and allow the worklight to cool down sufficiently.
- Clean with a dry or slightly moist, clean, lint-free cloth and a mild detergent if required.
- Do not use cleaners that contain abrasives or solvents.
- Check the LED worklight for damage before each use. If the lens is damaged it must be replaced immediately.
- Clean any dirt from the housing or the lens immediately, since it could cause overheating.

Note: The light source of this luminaire is not replaceable; when the light source reaches its end of life the whole luminaire shall be replaced

DISPOSAL

The components or the used products must be given to companies that specialize in the disposal and recycling of industrial waste.
