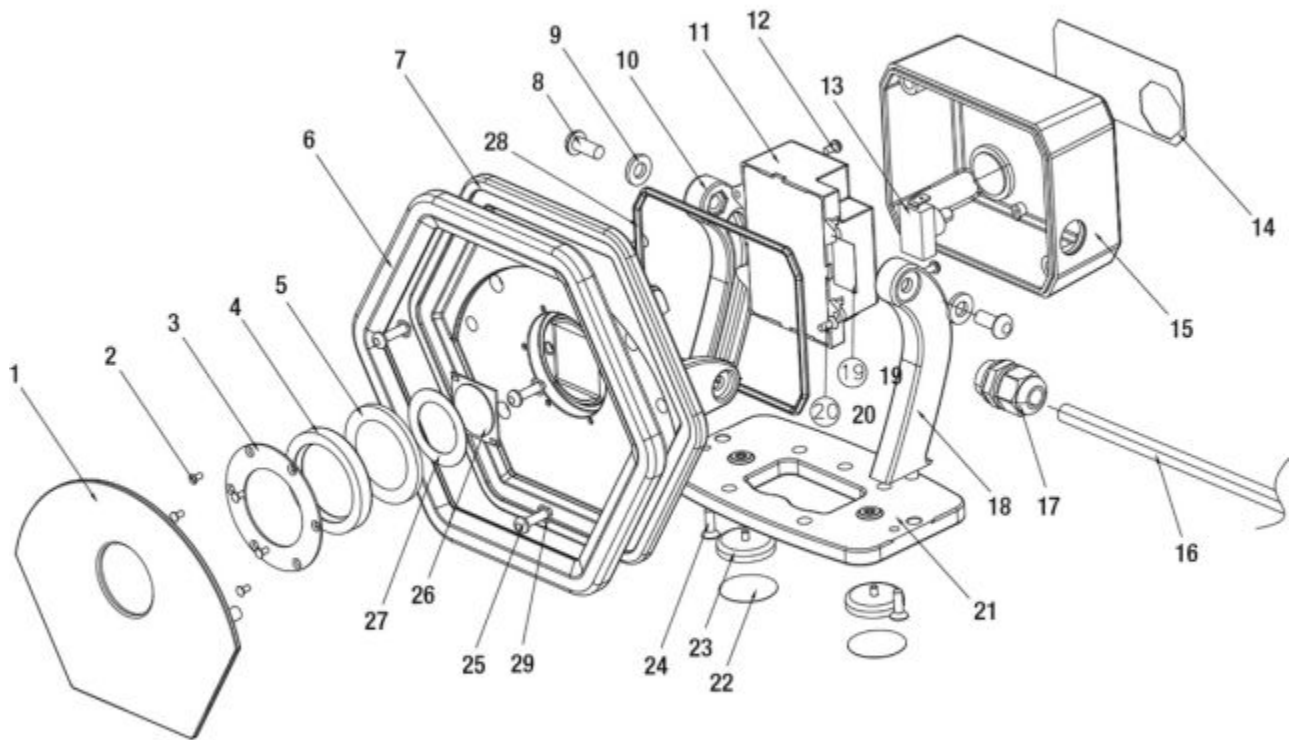


MWLFLC - COB FLOOD LIGHT AC CORDED



Item: MWLFLC

Description: COB FLOOD LIGHT AC CORDED

Notes: Before attempting to warranty the entire Light, please check the BOM for possible warranty replacement parts or call 888-854-0482, Option 2 or email technicalservice@intlsrv.com for technical assistance. * Stand Assembly: RS160010 (incl. #10, 18, 21, 24)

| Figure No | Part Number | Description | No. Reqd | Warranty Code |
|-----------|-------------|-------------------------|----------|---------------|
| 1 | *K7- | FRONT PANEL | 1 | |
| 2 | *K7- | SCREW (M2.5X5) | 6 | |
| 3 | *K7- | LENS COVER | 1 | |
| 4 | *K7- | O-RING FOR LENS | 1 | |
| 5 | *K7- | LENS | 1 | |
| 6 | *K7- | BUMPER | 1 | |
| 7 | *K7- | LIGHT BODY | 1 | |
| 8 | *K7- | SCREW (M6X14) | 2 | |
| 9 | *K7- | NYLON WASHER | 2 | |
| 10 | *K7* | LEFT STAND | 1 | |
| 11 | *K7- | DRIVER | 1 | |
| 12 | *K7- | SCREW (M3X6) | 3 | |
| 13 | *K7- | SWITCH | 1 | |
| 14 | *K7- | LABEL | 1 | |
| 15 | *K7- | BACK COVER | 1 | |
| 16 | *K7- | CORD | 1 | |
| 17 | *K7- | WATER-PROOF JOINT | 1 | |
| 18 | *K7* | RIGHT STAND | 1 | |
| 19 | *K7- | INSULATING MYLAR | 1 | |
| 20 | *K7- | SCREW (ST2.9X6) | 2 | |
| 21 | *K7* | STAND PANEL | 1 | |
| 22 | *K7- | MAGNET LABEL (INCL #23) | 2 | |
| 23 | K7RS160021 | MAGNET ASSEMBLY | 2 | X |
| 24 | *K7* | SCREW (M4X10) | 2 | |
| 25 | *K7- | SCREW (M4X16) | 4 | |
| 26 | *K7- | COB | 1 | |
| 27 | *K7- | RING LABEL | 1 | |
| 28 | *K7- | WATER-PROOF RING | 1 | |
| 29 | *K7- | O-RING | 4 | |