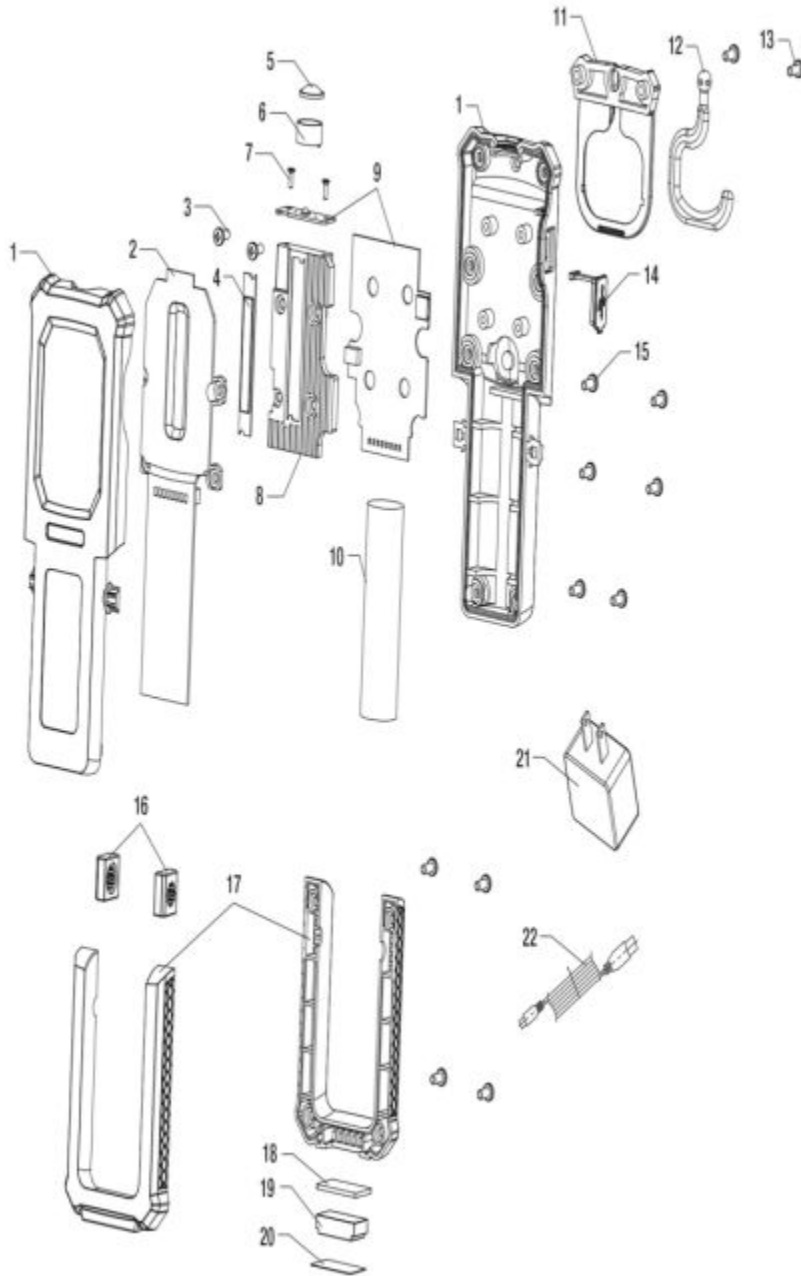


MWLHH300 - COB HAND HELD LIGHT/FLASHLIGHT



Item: MWLHH300

Description: COB HAND HELD LIGHT/FLASHLIGHT

Notes: N/A

Figure No	Part Number	Description	No. Reqd	Warranty Code
1	*K7-	SHELL (FRONT AND BACK)	1	
2	*K7-	REFLECTOR	1	
3	*K7-	SCREW (ST2.9X6)	2	
4	*K7-	COB	1	
5	*K7-	TOP LENS	1	
6	*K7-	TOP REFLECTOR	1	
7	*K7-	SCREW (ST2.2X4.5)	2	
8	*K7-	HEAT SINK	1	
9	*K7-	PCBA WITH TOP LED	1	
10	*K7-	BATTERY	1	
11	*K7RS40011	HOOK BASE	1	
12	*K7RS40012	HOOK	2	
13	*K7-	SCREW (ST2.9X16)	2	
14	*K7-	USB COVER	1	
15	*K7-	SCREW (ST2.9X10)	10	
16	*K7-	GEAR TOOTH	2	
17	*K7-	STAND (FRONT AND BACK)	1	
18	*K7-	IRON PANEL	1	
19	*K7-	MAGNET	1	
20	*K7-	MAGNET LABEL	1	
21	K7RS40021	CHARGER F/ MWLHH300	1	X
22	*K7-	USB CORD (INCL W/ #21)	1	