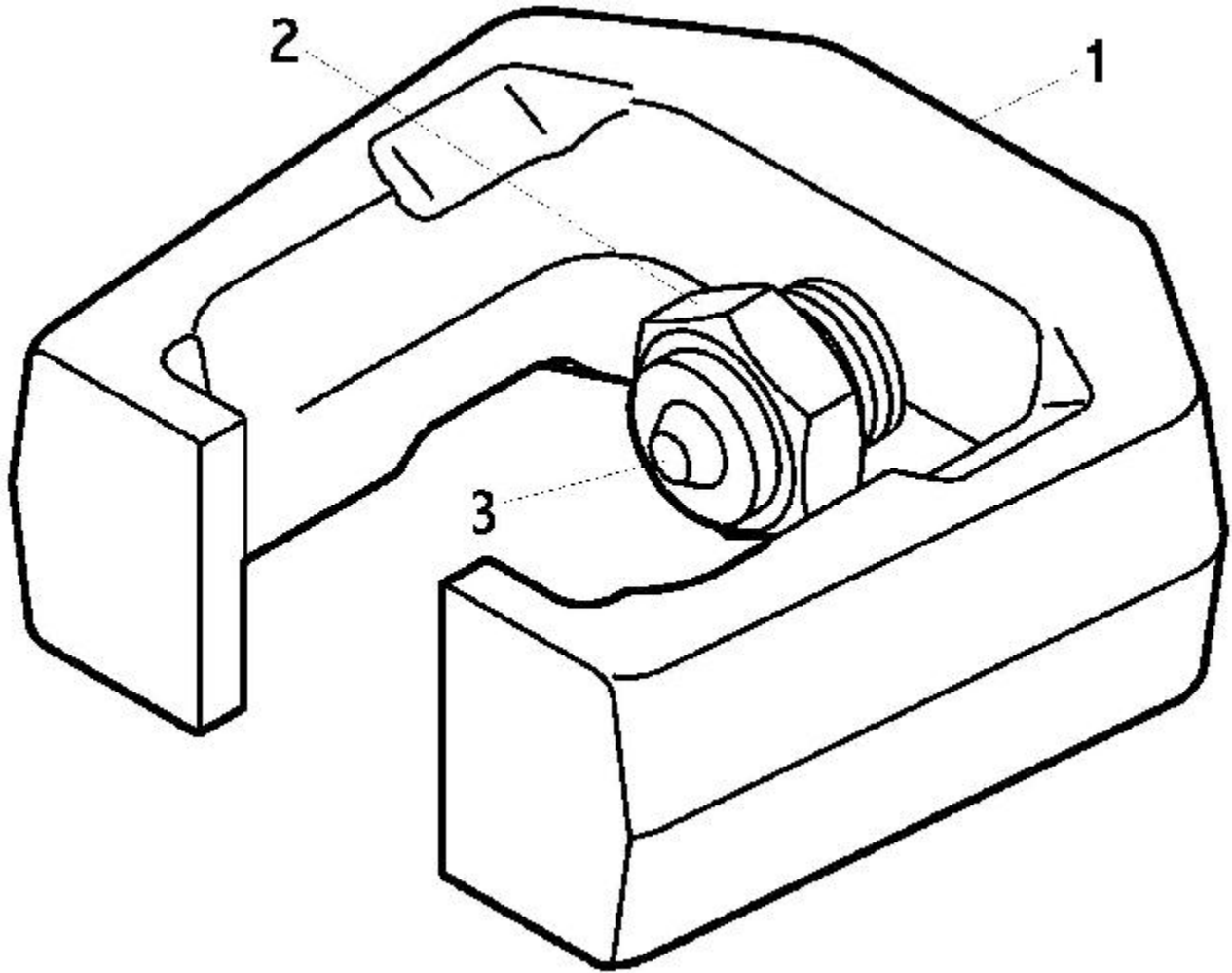


PA496 - PITMAN ARM PULLER



Item: PA496

Description: PITMAN ARM PULLER

Notes: N/A

Figure No	Part Number	Description	No. Reqd	Warranty Code
1	518684-1	FRAME PULLER F/PA496	1	K
2	518684-2	SCREW PULLER F/PA496	1	K
3	518684-3	CENTER, SWIVEL F/PA496	1	K