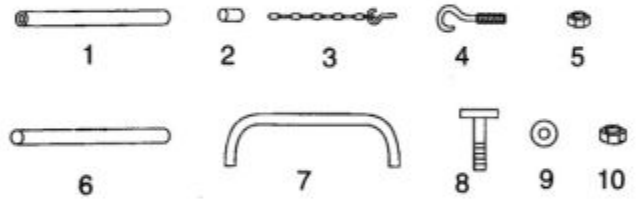
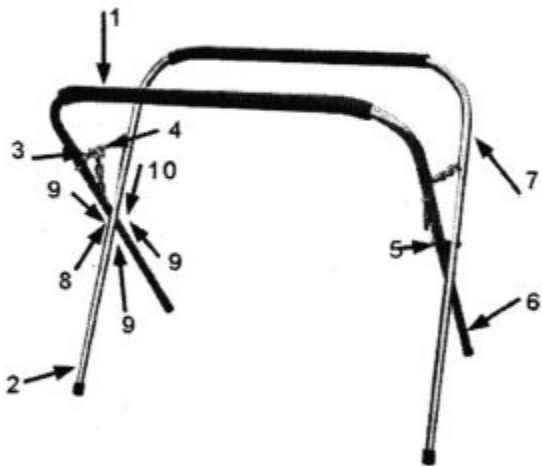


PB500C - 500 LB PORTABLE BENCH



Item: PB500C

Description: 500 LB PORTABLE BENCH

Notes: N/A

| Figure No | Part Number | Description | No. Reqd | Warranty Code |
|-----------|---------------|----------------------|----------|---------------|
| 1 | *H1557003-A01 | FOAM | 2 | |
| 2 | *H1557003-A02 | RUBBER COVER | 4 | |
| 3 | *H1557003-A03 | CHAIN WITH EYE HOOKS | 2 | |
| 4 | *H1557003-A04 | EYE BOLT | 2 | |
| 5 | *H1557003-A05 | 5/16-18 HEX NUT | 8 | |
| 6 | *H1557003-A06 | LEG TUBE | 4 | |
| 7 | *H1557003-A07 | FRAME TOP TUBE | 2 | |
| 8 | *H1557003-A08 | BOLT | 2 | |
| 9 | *H1557003-A09 | WASHER | 6 | |
| 10 | *H1557003-A10 | LOCK NUT | 2 | |