

# PPVBB25 - ULTIMATE PRESSURE/VACUUM BLEED

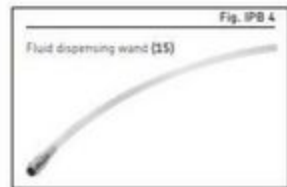
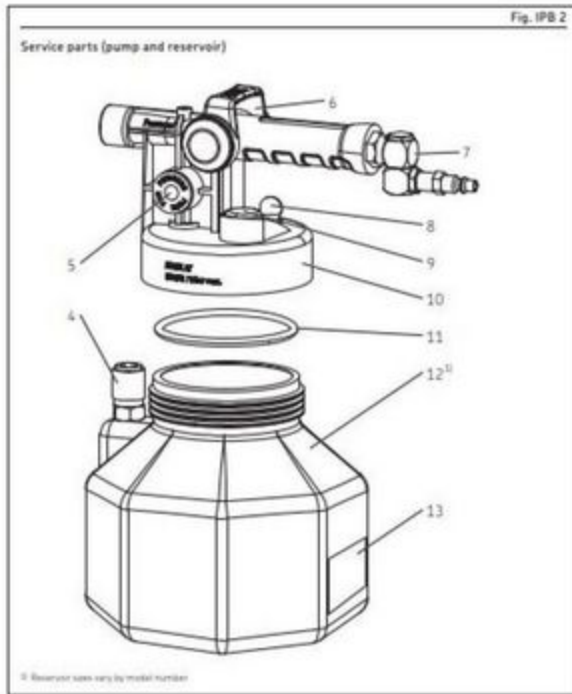


Table 3

Service parts

Item	Description	PFEDBB25	PPVBB25	PFED10	PATF10
1	Muffler kit	822709	822709	822709	822709
2	O-ring kit	822705	822705	822705	822705
3	Float kit	822731	822731	822731	822731
4	Quick-connect coupler	822703	822703	822703	822703
5	Side valve				
6	Lever				
7	Swivel coupler	822702	822702	822702	822702
8	Pressure release valve				
9	Reservoir pressure gauge	802442	802442	802442	802442
10	Evacuating/Dispensing lid	800865	800865	800865	800865
11	Gasket	801233	801233	80233	801233
12	Reservoir	802415	802415	802422	802422
13	Warning label	801188	801188	801188	801188
14	Fluid hose	801212	801212	801212	801212
15	Fluid dispensing wand	MVA570	MVA570	MVA570	MVA570
16	Hanging hook	822753	822753	822753	822753

Not all parts or accessories are available separately.

Item: PPVBB25

Description: ULTIMATE PRESSURE/VACUUM BLEED

Notes: N/A

Figure No	Part Number	Description	No. Reqd	Warranty Code
1	MM822709	MUFFLER KIT F/MV6830A	1	X
2	MM822705	O RING KIT F/MV6830A	1	X
3	MM822731	FLOAT KIT F/MV6830A	1	X
4	MM822703	COUPLER KIT F/MV6830A	1	X
7	MM822702	COUPLER SWIVEL KIT F/MV6830A	1	X
9	*MM802442	RESERVOIR PRESSURE GAUGE	1	
10	*MM800865	EVACUATING/DISPENSING LID	1	
11	MM801233	LID GASKET FOR ATF REFILLER	1	D
12	*MM802415	RESERVOIR	1	
13	*MM801188	WARNING LABEL	1	
14	*MM801212	FLUID HOSE	1	
15	MMMVA570	FLUID DISPENSING WAND F/MV6400	1	D
16	MM822753	HOOK KIT F/MV6830A	1	X