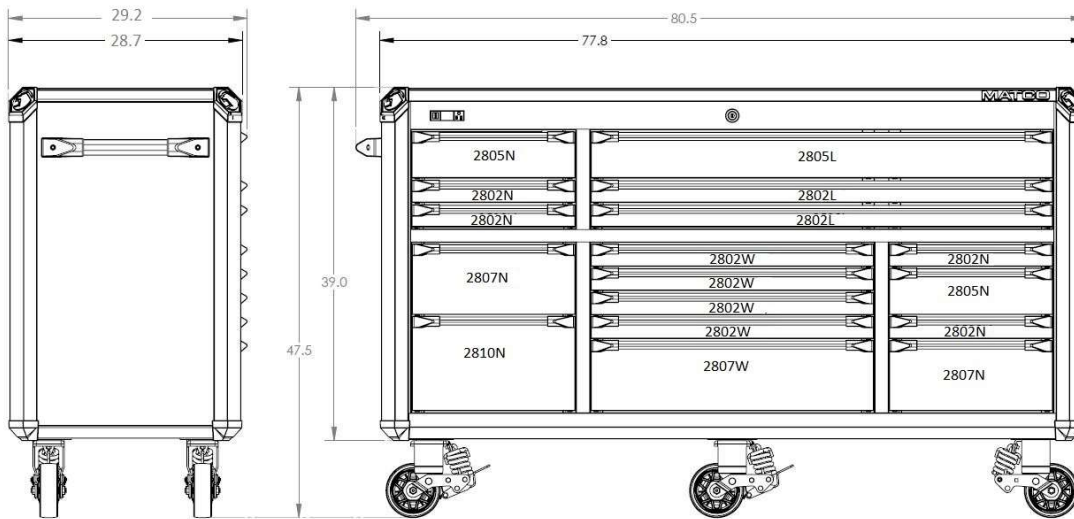




R328TB

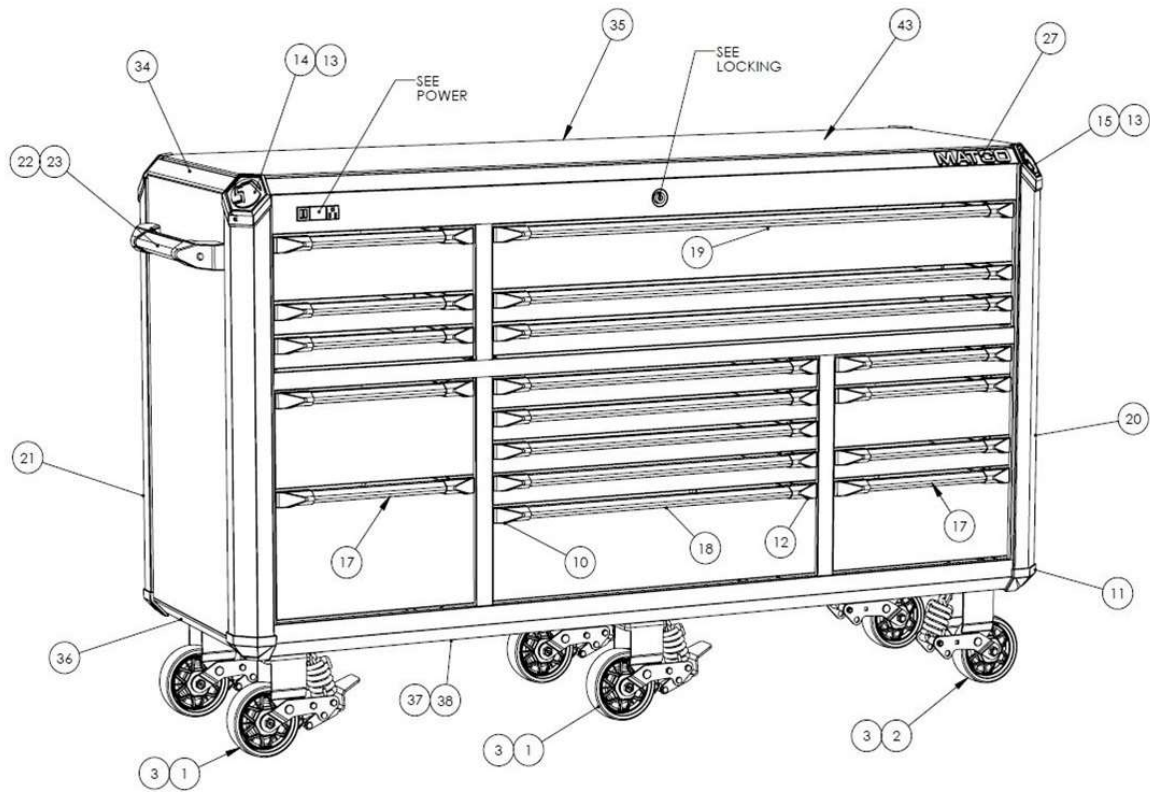
TOOLBOX SPECIFICATIONS REVEL 3 BAY, 28" DEEP, TOOLBOX



TOOLBOX SPECIFICATIONS

| SPECIFICATIONS | | | | | | | |
|------------------------|-------------------------------------|-----------|---------------|---------------|---------------|---------------|---------------|
| PART NUMBER | DESCRIPTION | QTY | HEIGHT | WIDTH | DEPTH | SQ IN | CU IN |
| 2805L | 28" DEEP, 5" HIGH LONG DRAWER | 1 | 4.240 | 49.598 | 26.478 | 1,313 | 5,568 |
| 2802L | 28" DEEP, 2.5" HIGH LONG DRAWER | 2 | 1.681 | 49.598 | 26.478 | 2,627 | 4,415 |
| 2802N | 28" DEEP, 2" HIGH NARROW DRAWER | 4 | 1.681 | 16.631 | 26.478 | 1,761 | 2,961 |
| 2805N | 28" DEEP, 5" HIGH NARROW DRAWER | 2 | 4.337 | 16.631 | 26.478 | 881 | 3,820 |
| 2807N | 28" DEEP, 7" HIGH NARROW PWR DRAWER | 2 | 6.956 | 16.631 | 26.478 | 881 | 6,126 |
| 2810N | 28" DEEP, 10" HIGH NARROW DRAWER | 1 | 9.524 | 16.631 | 26.478 | 440 | 4,194 |
| 2802W | 28" DEEP, 2" HIGH WIDE DRAWER | 4 | 1.681 | 29.846 | 26.478 | 3,161 | 5,314 |
| 2807W | 28" DEEP, 7" HIGH WIDE DRAWER | 1 | 6.956 | 29.846 | 26.478 | 790 | 5,497 |
| TOTAL / OVERALL | | 17 | 47.500 | 77.800 | 29.200 | 11,854 | 37,895 |

**3-DIMENSIONAL PARTS BREAKDOWN
REVEL 3 BAY, 28" DEEP TOOLBOX**



REPLACEMENT PARTS

See list of replacement parts on reverse side



R328TB

Spanish translation of item description
 Spanish translation of item description

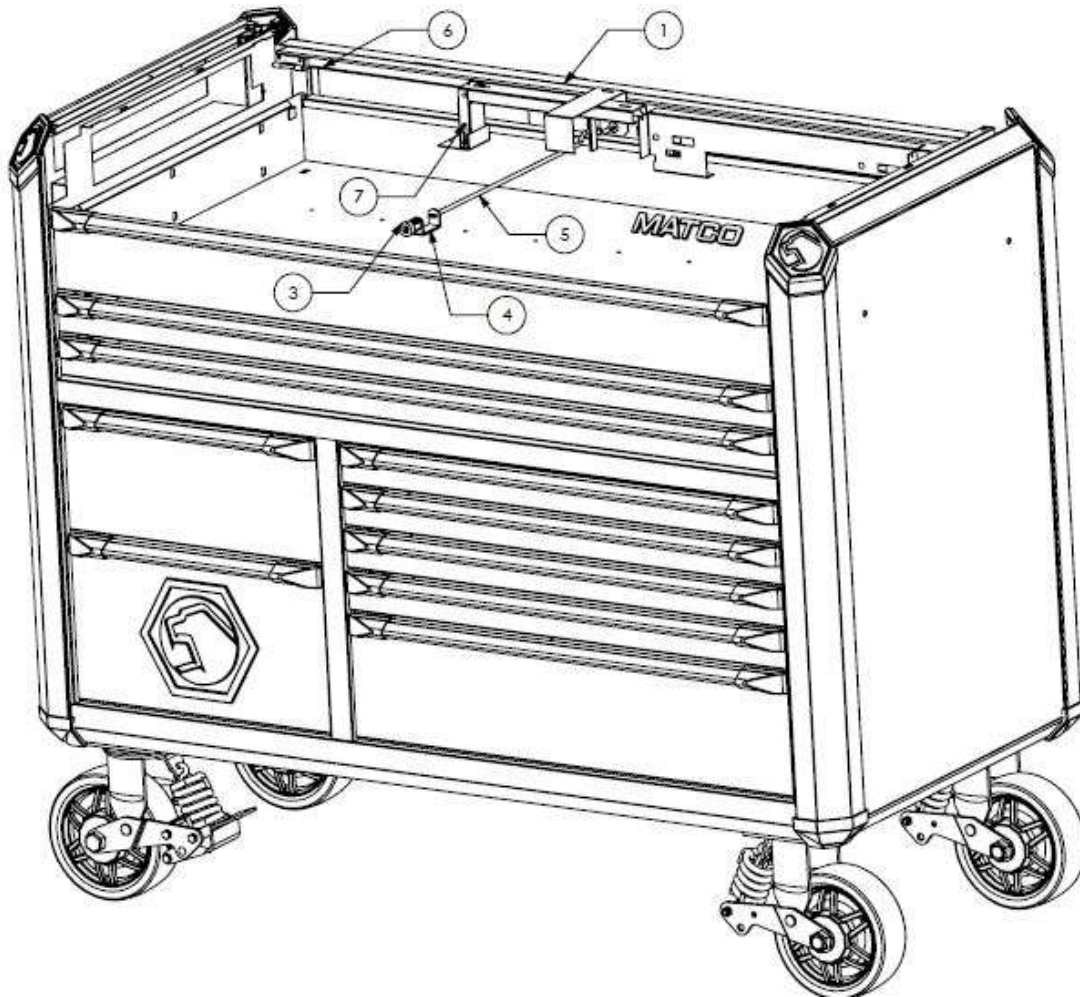
3-DIMENSIONAL PARTS BREAKDOWN REVEL 3 BAY, 28" DEEP TOOLBOX

| ITEM | PART NUMBER | DESCRIPTION | QTY |
|---------------------------|-------------|-------------------------------------|-----|
| CASTERS | | | |
| 1 | CSTR-118CS | 6X2 SWIVEL CASTER W/SPRING, HUB CAP | 4 |
| 2 | CSTR-138CS | 6X2 RIGID CASTER W/SPRING, HUB CAP | 2 |
| 3 | BOLT-012 | 5/16-18X5/8 HWH CASTER BOLT | 24 |
| LOCKING | | | |
| 4 | X225TB-043 | HORIZONTAL LOCK C-CHANNEL | 1 |
| 5 | X225TB-044 | VERTICAL LOCK BAR | 4 |
| 6 | LOCK-017 | 1 TUBAR LOCK W/ 2 KEYS, MAIN BOX | 1 |
| 7 | MLRA-007 | LOCK ROD ACTUATOR | 1 |
| 8 | RODS-128 | LOCKROD, MAIN BOX | 1 |
| 9 | TUBE-70800 | LOCK TUBE, 2 BAY | 1 |
| CAPS | | | |
| 10 | CAP-BL | LEFT DRAWER HANDLE CAP | 17 |
| 11 | CAP-BOT | BOTTOM CORNER CAP | 4 |
| 12 | CAP-BR | RIGHT DRAWER HANDLE CAP | 17 |
| 13 | CAP-INNER | INNER CORNER CAP | 4 |
| 14 | CAP-TOP | TOP CORNER CAP | 2 |
| 15 | CAP-TOP | TOP CORNER CAP | 2 |
| SLIDES | | | |
| 16 | CHRN-425M | 25" DRAWER SLIDE, ROLLER BEARING | 40 |
| HANDLES & TRIM | | | |
| 17 | HDLX-*12392 | X SERIES 12.392" HANDLE, NARROW BAY | 9 |
| 18 | HDLX-*25608 | X SERIES 25.608" HANDLE, WIDE BAY | 5 |
| 19 | HDLX-*45360 | X SERIES 45.360" HANDLE, LONG BAY | 3 |
| 20 | TRMX-*35737 | X SERIES 35.737" TRIM | 4 |
| 21 | TRMR-35737 | SHEET METAL CORNER TRIM, 35.737" | 2 |
| 22 | HDWE-PREMSH | SIDE HANDLE HARDWARE | 1 |
| 23 | SHNDL-100 | SIDE HANDLE | 1 |
| LINERS | | | |
| 24 | LX25LX | X SERIES, 25" LONG DRAWER LINER | 3 |
| 25 | LX25N | X SERIES, 25" NARROW DRAWER LINER | 9 |
| 26 | LX25W | X SERIES, 2" WIDE DRAWER LINER | 5 |

| ITEM | PART NUMBER | DESCRIPTION | QTY |
|-------------------|--------------|--|-----|
| NAMEPLATES | | | |
| 27 | NMPL-MATCOC | LARGE MATCO CHROME NAMEPLATE | 1 |
| POWER | | | |
| 28 | PWR-CORD | POWER CORD FOR REVELx | 1 |
| 29 | PWR-JBX | POWER JUNCTION BOX FOR REVELx | 1 |
| 30 | PWRSTRP19U4A | 19" POWER STRIP FOR POWER DWR | N/A |
| 31 | PWRSTRP8 | 8" POWER STRIP FOR LEFT TOP FRONT | 1 |
| | MAG-CLIP | CABLE MOUNT | 2 |
| 32 | GROM-027 | GROMMET FOR CABLE ROUTING | 2 |
| 33 | R28-PDBRKT | POWER DRAWER BRACKET, 28"; INCLUDES: X225TB-079 (BRKT), PWRSTRP19U4A, TRAK-PWR | 1 |
| SKIRTING | | | |
| 34 | X228TB-083 | TOP SIDE SKIRT, 28" TB | 2 |
| 35 | X325TB-045 | TOP REAR SKIRT, 2 BAY TB | 1 |
| 36 | X228TB-735 | BOTTOM SIDE SKIRT, 28" TB | 2 |
| 37 | X325TB-086 | BOTTOM REAR SKIRT, 2 BAY TB | 1 |
| 38 | X325TB-085 | BOTTOM FRONT SKIRT, 2 BAY TB | 1 |
| MISC. | | | |
| 39 | MTB98764J | TOOLBOX MAINT. & DETAILING KIT | 1 |
| 40 | TBCERT07 | TOOLBOX OWNERS CERTIFICATE | 1 |
| 41 | PDNV30 | KEYCHAIN | 1 |
| 42 | OMNL16 | OWNERS MANUAL | 1 |
| 43 | PBWS-X328TB | X328TB PHENOLIC WORK SURFACE | 1 |
| *43 | MAT-R328TB | IMATR328TB BUILT BEFORE 12/14/2017 | 1 |
| HARDWARE | | | |
| 44 | RIVT-014 | 3/16 IN X 1/4 IN POP RIVETS PANS, INNER CAPS | |
| 45 | RIVT-021B | AB4-8 BLIND RIVET BLK - TOP/BOT CAPS, TRIM | |
| 46 | SCRW-019 | SCREW FOR ATTACHING DWR END CAPS | |
| 47 | SCRW-027 | 8-32 X 1/4" Phillips, Pan Head, SLIDE SCREW | |
| 48 | RIVT-020 | 3/16 IN X 1/2 IN POP RIVET, LOCKBARS | |
| 46 | | TOUCH UP PAINT | 1 |

FOR TRIM AND HANDLES REPLACE THE "" WITH THE DESIRED COLOR CODE
 B=BLACK, BU=BLUE, C=CHROME, GR=GREEN, O=ORANGE, R=RED

**3-DIMENSIONAL PARTS BREAKDOWN
REVEL R & X TOOLBOX LOCKING**



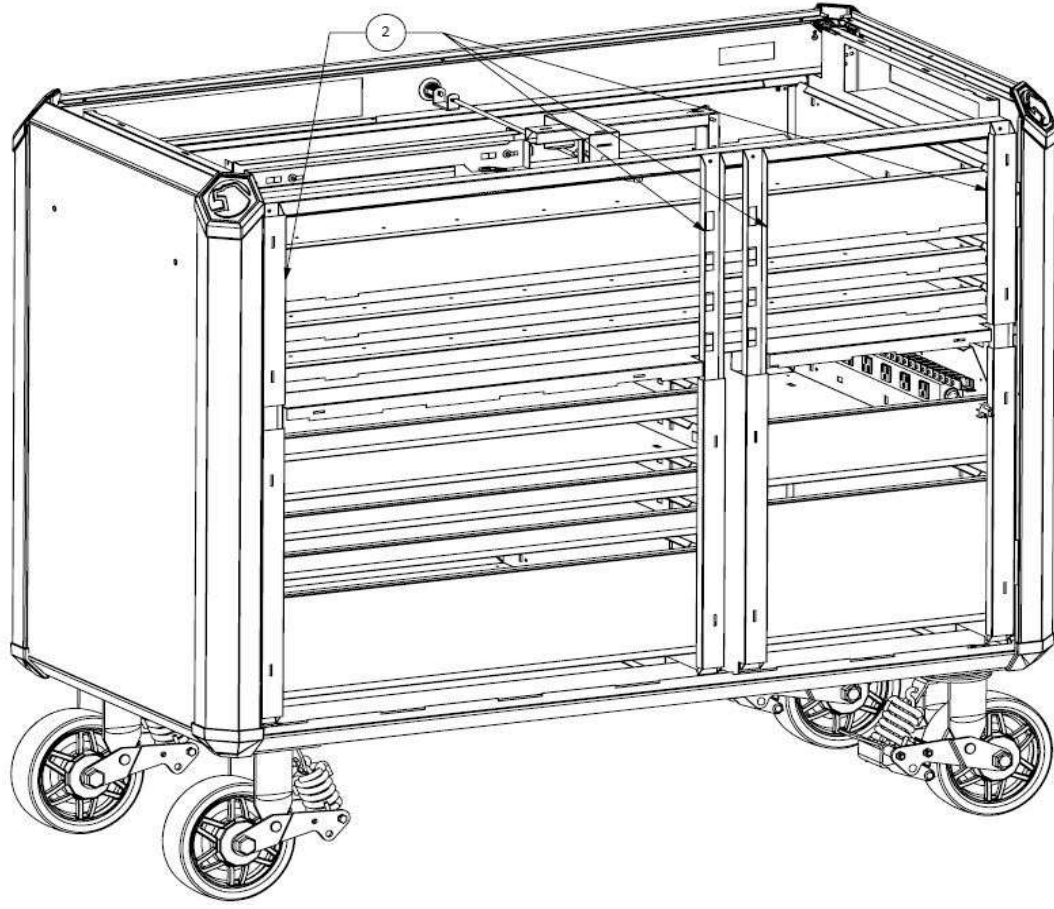
REPLACEMENT PARTS

See list of replacement parts on reverse side



R & X LOCK

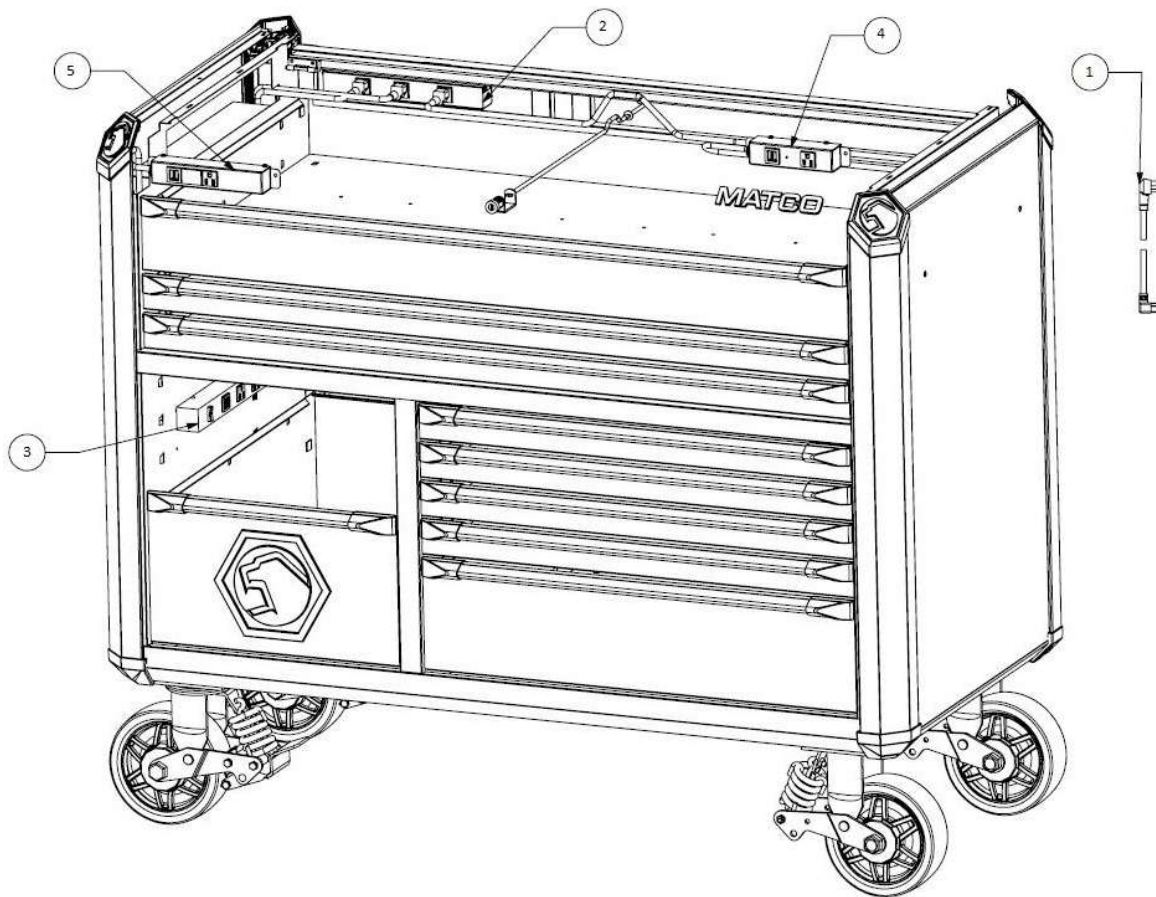
3-DIMENSIONAL PARTS BREAKDOWN REVEL R & X TOOLBOX LOCKING BACK SIDE



| ITEM | PART NUMBER | DESCRIPTION | QTY | NOTES |
|----------------|-------------|---|-----|-----------|
| LOCKING | | | | |
| 1 | X225TB-043 | HORIZONTAL LOCK C-CHANNEL 2 BAY | 1 | |
| 1 | X325TB-043 | HORIZONTAL LOCK C-CHANNEL 3 BAY | 1 | |
| 1 | X328TB-043 | HORIZONTAL LOCK C-CHANNEL 3 BAY | 1 | |
| 2 | X225TB-044 | VERTICAL LOCK BAR | 4 | |
| 2 | X225TB-044 | VERTICAL LOCK BAR | 6 | 3 BAY |
| 3 | LOCK-017 | 1 TUBAR LOCK W/ 2 KEYS, MAIN BOX | 1 | |
| 4 | MLRA-007 | LOCK ROD ACTUATOR | 1 | |
| 5 | RODS-125 | LOCKROD, MAIN BOX | 1 | 25" DEPTH |
| 5 | RODS-128 | LOCKROD, MAIN BOX | 1 | 28" DEPTH |
| 6 | TUBE-51000 | LOCK TUBE, 2 BAY | 1 | 2 BAY |
| 6 | TUBE-70800 | LOCK TUBE, 3 BAY | 1 | 3 BAY |
| 7 | X225TB-LCK | COMPUTER DWR & WORK SURFACE LOCK SYSTEM | 1 | X ONLY |
| 7 | X325TB-LCK | COMPUTER DWR & WORK SURFACE LOCK SYSTEM | 1 | X ONLY |

©2017 MATCO TOOLS. All rights reserved. Matco Tools® and their respective logos are trademarks or registered trademarks of Matco Tools in the United States and in other countries.

**3-DIMENSIONAL PARTS BREAKDOWN
REVEL R & X TOOLBOX POWER**



REPLACEMENT PARTS

See list of replacement parts on reverse side



R & X POWER

3-DIMENSIONAL PARTS BREAKDOWN REVEL R & X TOOLBOX POWER

| ITEM | PART NUMBER | DESCRIPTION | QTY | NOTES |
|------|-------------|---|-----|----------|
| | | POWER | | |
| 1 | PWR-CORD | POWER CORD FOR REVELx | 1 | |
| 2 | PWR-JBX | POWER JUNCTION BOX FOR REVELx | 1 | |
| 3 | R25-PDBRKT | POWER DRAWER BRACKET, 25"; INCLUDES: X225TB-079 (BRKT), PWRSTRP19U4A, TRAK-PWR | 1 | 25 DEPTH |
| 3 | R28-PDBRKT | POWER DRAWER BRACKET, 28"; INCLUDES: X225TB-079 (BRKT), PWRSTRP19U4A, TRAK-PWR | 1 | 28 DEPTH |
| 4 | PWRSTRP6U4A | 6" POWER STRIP FOR COMPUTER DWR | 1 | |
| 5 | PWRSTRP8 | 8" POWER STRIP FOR LEFT TOP FRONT | 1 | |