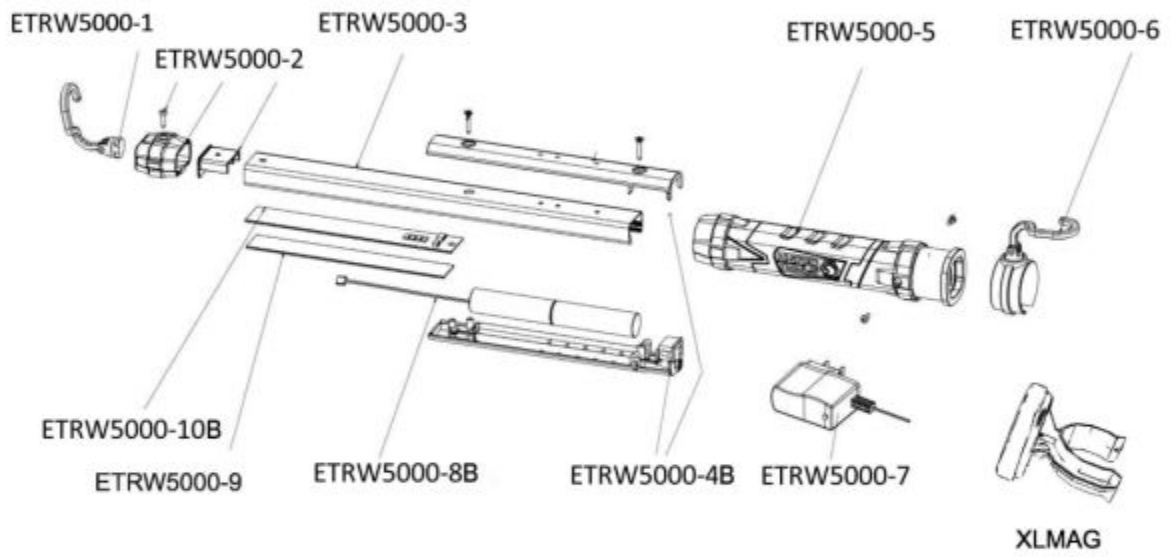


RWL5000B - 5W COB WORK LIGHT -RED



Item: RWL5000B

Description: 5W COB WORK LIGHT -RED

Notes: N/A

Figure No	Part Number	Description	No. Reqd	Warranty Code
1	ETRW5000-1	HOOK F/RWL5000	1	D
2	ETRW5000-2	CAP,CAP INSRT & SCREWS-RWL5000	1	D
3	ETRW5000-3	ALUMINUM BOARD F/RWL5000	1	D
4	*ETETRW5000-4B	ON/OFF ASSEMBLY COVER, SCREWS, SWITCH, CHARGE PORT	1	
5	ETRW5000-5	HANDLE W/SCREWS F/RWL5000	1	D
6	ETRW5000-6	SWIVEL HOOK F/RWL5000	1	D
7	ETRW5000-7	AC CHARGER F/RWL5000	1	D
8	*ETETRW5000-8B	LI-ION BATTERY PACK	1	
9	ETRW5000-9	PC LENS F/RWL5000	1	D
10	ETRW5000-10B	NEW COB LED PCB RWL5000A	1	X
11	ETXLMAG	UNIVERSAL MAGNETIC CLIP	1	J