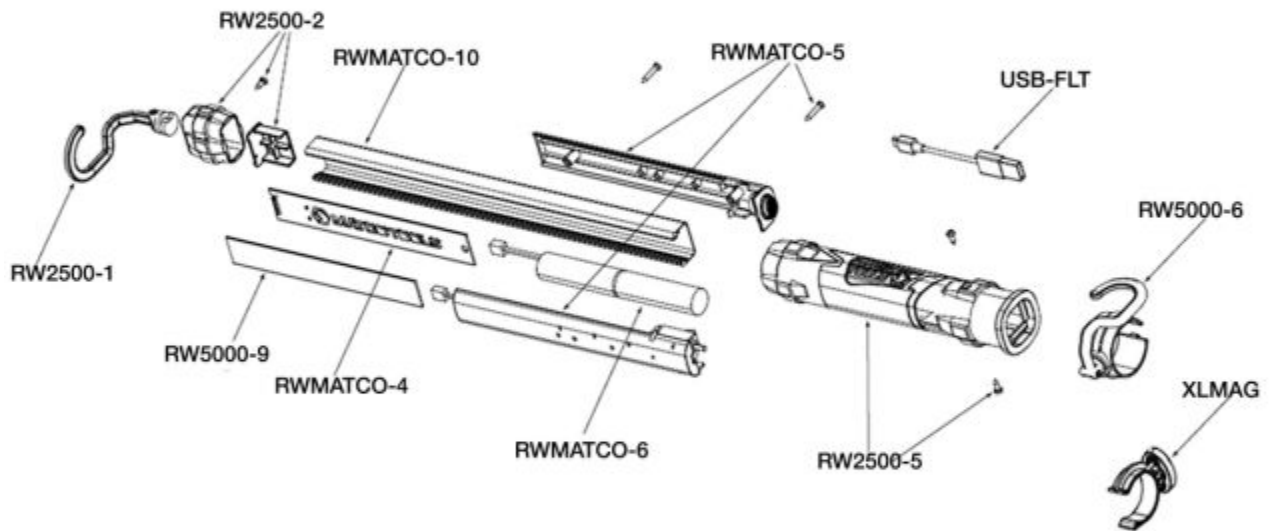


## RWLMATCO - HANDHELD WORK LIGHT MATCO



Item: RWLMATCO

Description: HANDHELD WORK LIGHT MATCO

Notes: N/A

Figure No	Part Number	Description	No. Reqd	Warranty Code
1	ETRW2500-1	REPLACEMENT HOOK F/RWL2500	1	D
2	ETRW2500-2	CAP,INSERT, & SCREW F/RWL2500	1	D
3	*ETRWMATCO-10	REPLACEMENT ALUMINUM FRAME	1	
4	ETRWMATCO-5	ON/OFF ASSEMBLY COVER, SCREWS,	1	D
5	ETRWMATCO-4	REPLACEMENT COB LED PCB	1	X
6	ETRW5000-9	PC LENS F/RWL5000	1	D
7	*ETRWMATCO-6	REPLACEMENT LI-ION BATTERY 3.7V 4400MAH	1	
8	ETRW2500-5	HANDLE W/SCREWS F/RWL2500	1	D
9	*ETRW5000-6	REPLACEMENT SWIVEL HOOK(BOTTOM)	1	
10	*ETUSBFLT	REPLACEMENT USB CORD	1	
11	ETXLMAG	UNIVERSAL MAGNETIC CLIP	1	J