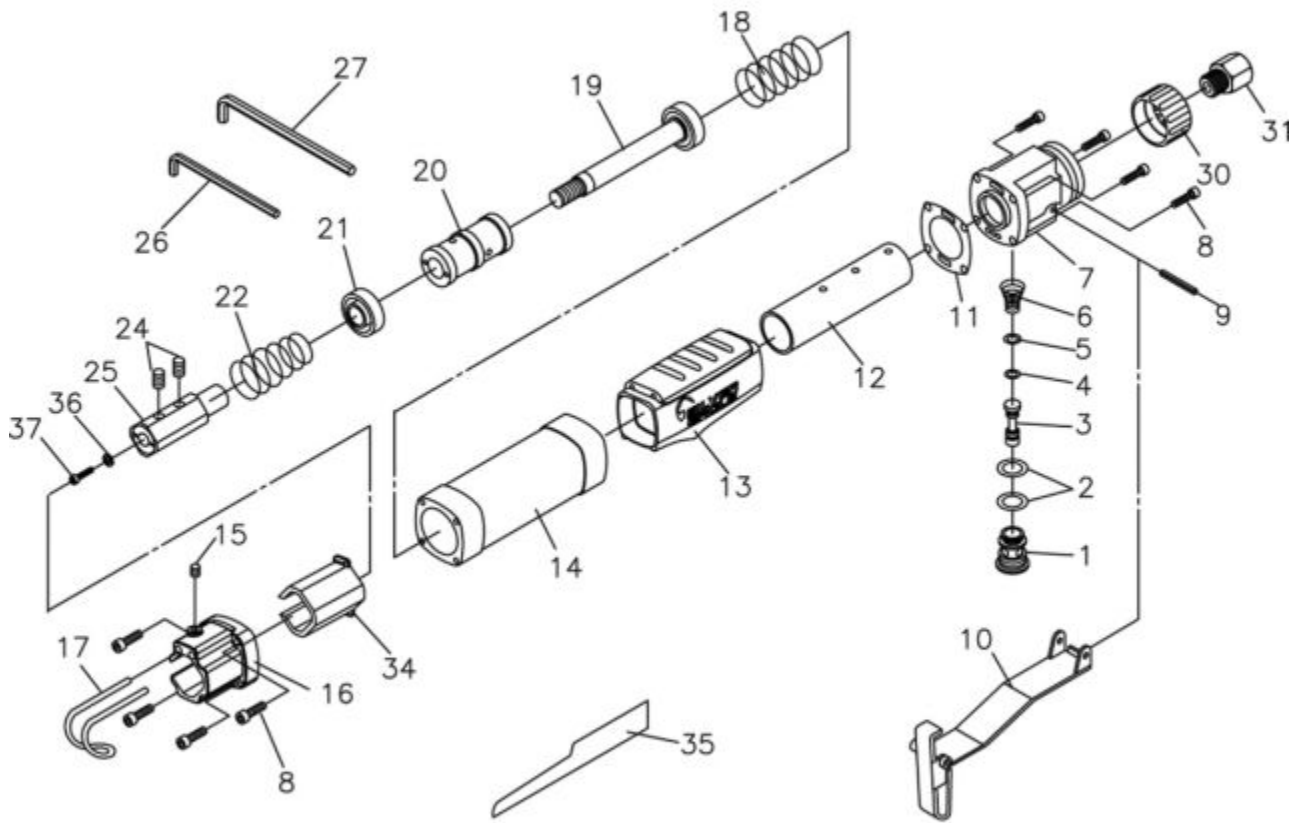


SE1300 - MINI AIR SAW



Item: SE1300

Description: MINI AIR SAW

**Notes:** Replacements Blades Available As: MT5650 ASSORTED 10 Pack MT5651 18TPI 10 pack MT5652 24TPI 10 pack MT5653 32TPI 10 pack K7RSSE5654 18TPI ALL PURPOSE 10 PK K7MT5655 32TPI ALL PURPOSE 10 PK MT2215-1 FLAT FILE 1 SINGLE MT2215-2 HALF-ROUND FILE 1 SINGLE MT2215-3 ROUND FILE 1 SINGLE MT2215-4 TRIANGLE FILE 1 SINGLE

Figure No	Part Number	Description	No. Reqd	Warranty Code
0	MT5650	ASSORTED SAW BLADE 10 PK	1	T
0	MT5651	18 TPI SAW BLADES 10 PK	1	T
0	MT5652	24 TPI SAW BLADES 10 PK	1	T
0	MT5653	32 TPI SAW BLADE 10 PK	1	T
0	K7RSSE5654	18 TPI BLADE 10PK F/SX1314	1	X
0	K7MT5655	10PK 32TPI ALL PURPOSE BLADES	1	X
1	K7RS26101	VALVE PLUG F/SE1300	1	X
2	*K7RS26102	O-RING	2	
3	K7RS26103	THROTTLE PIN F/SE1300	1	X
4	K7305A04	O-RING	1	X
5	K7RS305A05	O RING F/MT3880,MT3884	1	X
6	*K7RS26106	SPRING	1	
7	K7RS26107SE	VALVE BODY SE1300	1	X
8	K7RS26108	CAP SCREW F/ SE1300	8	X
9	*K7RS26109	ROLL PIN	1	
10	K7RS26110	SAFETY THROTTLE LEVER F/SE130	1	X
11	*K7RS26111	GASKET	1	
12	K7RS26112	CYLINDER F/SE1300	1	X
13	*K7RS26113SE	COMFORT GRIP	1	
14	K7RS26114	BODY F/SE1300	1	X
15	K7RS26115	SET SCREW F/BLADE	1	X
16	*K7RS26116SE	HEAD	1	
17	K7RS26117	BLADE GUARD F/ SE1300	1	X
18	K7RS26118	REAR CUSHION SPRING	1	X
19	K7RS26119C	OPERATE PISTON ASMB F/SE1300	1	X
20	*K7*	INCLUDED WITH #19	1	
21	*K7*	INCLUDED WITH #19	1	
22	*K7*	INCLUDED WITH #19	1	
24	K7RS26124A	BLADE SET SCREW F/SE1300	2	X
25	*K7*	INCLUDED WITH #19	1	
26	K7RS26126	2.0MM SERVICE WRENCH F/SE1300	1	X

27	K7RS26127	2.5MM SERVICE WRENCH F/SE1300	1	X
30	K7RS26130A	EXHAUST CAP F/SE1300	1	X
31	K7RS26131	AIR INLET F/ SE1300	1	X
34	K7RS26134	SLIDE INSERT F/ SE1300	1	X
35	*K7SEE NOTES	SAW BLADE	1	
36	K7RS26136	LOCK WASHER	1	X
37	K7RS26137	SCREW F/ SE1300	1	X