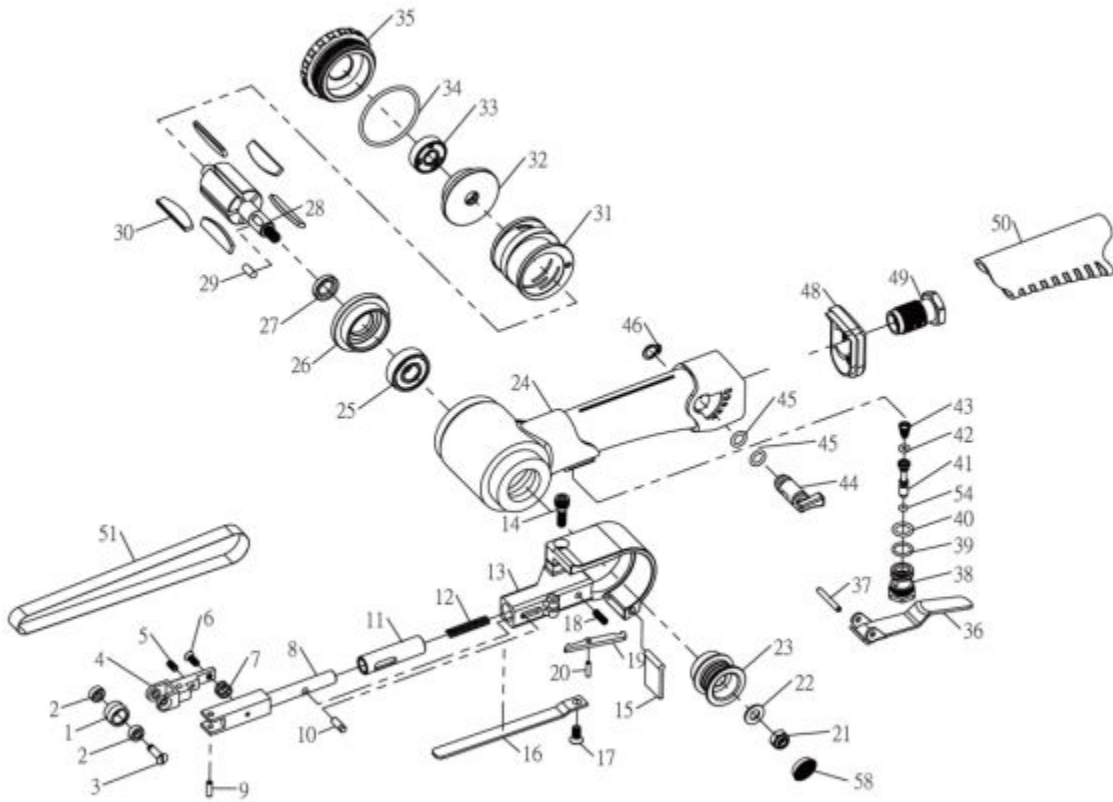


SE130 - AIR BELT SANDER (3/8X 13IN.)



Item: SE130

Description: AIR BELT SANDER (3/8X 13IN.)

Notes: N/A

Figure No	Part Number	Description	No. Reqd	Warranty Code
1	H13036-01	PULLEY	1	X
2	H13036-02	BALL BEARING (2PK)	1	X
3	H13036-03	PULLEY SCREW	2	X
4	H13036-04	BRACKET F/SE130	1	X
5	H13036-05	SET SCREW 3MX8 F/SE130	1	L
6	H13036-06	HEXAGON SKT SET SCREW F/SE130	1	L
7	H13036-07	SPRING F/SE130	1	L
8	H13036-08	TENSION BAR F/SE130	1	D
9	H13036-09	SPRING PIN FOR SE130	1	L
10	H13036-10	STOPPER PIN F/SE130	1	X
11	H13036-11	GUARD BUSHING	1	L
12	H13036-12	TENSION SPRING F/SE130	1	X
13	H13036-13	GUARD SUB ASSEMBLY 11	1	D
13	H13036-13	GUARD SUB ASSEMBLY 11	1	D
14	H13036-14	HEAD CAP SCREW (M5X15)	1	L
15	H13036-15	DUST COVER F/SE130	1	D
16	H13036-16	SHOE 10 F/ SE130	1	X
17	H13036-17	SET SCREW FOR SE130	1	D
18	H13036-18	STOPPER SPRING F/ SE130	1	X
19	H13036-19	STOPPER F/SE130	1	X
20	H13036-20	SPRING PIN F/SE130	1	L
21	H13036-21	HEXAGON NUT (M6) F/ SE140A	1	L
22	H13036-22	SPINDLE F/SE410	1	L
23	H13036-23	DRIVE PULLEY SE130	1	X
24	*H13036-24	HOUSING	1	
25	*H13036-25	BALL BEARING (6000ZZ)	1	
26	*H13036-26	FRONT END PLATE	1	
27	*H13036-27	SPACER	1	
28	*H13036-28	ROTOR	1	
29	*H13036-29	PARALLEL KEY BOTH ENDS ROUND	1	
30	H13036-30	ROTOR BLADE	5	L
31	H13036-31	CYLINDER SE140	1	L
32	*H13036-32	REAR END PLATE	1	

33	*H13036-33	BALL BEARING (608ZZ)	1	
34	H13036-34	O RING F/3037 SANDER	1	L
35	H13036-35	CAP FOR SE140	1	L
36	H13036-36	THROTTLE LEVER	1	L
37	H13036-37	SPRING PIN (3 X 20)	1	L
38	H13036-38	VALVE BODY F/SE130	1	L
39	H13036-39	O-RING F/SE130	1	L
40	H13036-40	O RING F/SE130	1	L
41	H13036-41	VALVE STEM F/SE130	1	L
42	H13036-42	O-RING F/SE130	1	L
43	H13036-43	VALVE SPRING F/SE130	1	L
44	H13036-44	AIR REGULATOR FOR SE130	1	L
45	H13036-45	O-RING (P7) FOR SE130	2	L
46	H13036-46	EXTERNAL STOP RING	1	L
48	H13036-48	EXHAUST DIFFUSER	1	L
49	*H13036-49	INLET BUSHING	1	
50	*H13036-50	HOUSING COVER	1	
51	H1SE130-40A	40GRIT GRINDING BELT 10PC	1	T
52	SE130-80A	80 GRIT GRINDING BELT - 10PC	1	T
53	SE130-120A	120 GRIT GRINDING BELT - 10PC	1	T
54	H13036-54	O-RING F/SE130	1	L
55	SE130-100A	100 GRIT GRINDING BELT - 10PC	1	T
56	SE130-60A	60 GRIT GRINDING BELT - 10PC	1	T