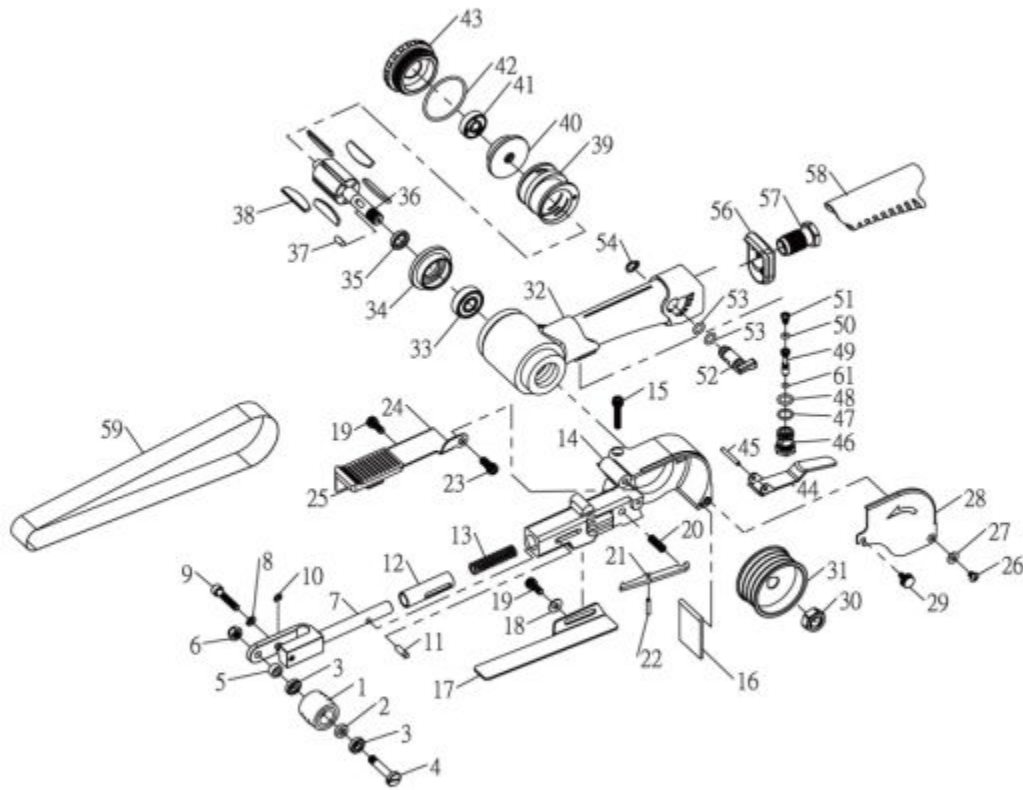


SE135 - BELT SANDER (3/4"X20.5")



Item: SE135

Description: BELT SANDER (3/4"X20.5")

Notes: N/A

Figure No	Part Number	Description	No. Reqd	Warranty Code
1	H13035-01A	IDLER PULLEY F/SE135	1	X
2	H13035-02	IDLER BEARING (2 REQ)	1	X
3	H13035-03	BALL BEARING F/SE135	2	X
4	H13035-04	IDLE PULLEY SHAFT	1	L
5	H13035-05	WASHER	1	L
6	H13035-06	M6 HEX NUT	1	L
7	*H13035-07	TENSION BAR	1	
8	*H13035-08	SPRING WASHER (M5)	1	
9	H13035-09	SKT HEAD CAP SCREW F/SE135	1	X
10	H13035-10	E-CLIP F/SE135	1	X
11	*H13035-11	STOPPER PIN	1	
12	*H13035-12	GUARD BUSHING	1	
13	H13035-13	SPRING FOR SE130	1	X
14	H13035-14	GUARD SUBASSEMBLY F/SE135	1	L
15	*H13035-15	HEAD CAP SCREW (M5X30)	1	
16	H13035-16	SHOE 10	1	X
17	H13035-17	HEX SKT HEADLESS SET SCREW	1	X
18	H13035-18	WASHER (M5) F/SE130	1	X
19	*H13035-19	CAP SCREW (M5X10)	2	
20	H13035-20	STOPPER SPRING F/ SE130	1	X
21	*H13035-21	STOPPER	1	
22	*H13035-22	SPRING PIN (3X12)	1	
23	H13035-23	PAN HEAD SCREWS F/3035	1	L
24	*H13035-24	FINGER PLATE	1	
25	*H13035-25	ANTI-SLIP SPACER	1	
26	*H13035-26	PAN HEAD SCREW (M4X6)	1	
27	*H13035-27	WASHER (M4)	1	
28	H13035-28	BELT COVER F/SE135	1	L
29	H13035-29	DECORATIVE SCREW	1	L
30	*H13035-30	HEX NUT M10	1	
31	*H13035-31	DRIVE PULLEY	1	
32	*H13035-32	HOUSING	1	
33	*H13035-33	BALL BEARING (6000ZZ)	1	

34	*H13035-34	FRONT END PLATE	1	
35	*H13035-35	SPACER	1	
36	*H13035-36	ROTOR	1	
37	*H13035-37	PARALLEL KEY BOTH ENDS ROUND 4X4X9.5	1	
38	H13035-38	ROTOR BLADE F/SE135	5	L
39	*H13035-39	CYLINDER	1	
40	*H13035-40	REAR END PLATE	1	
41	*H13035-41	BALL BEARING (608ZZ)	1	
42	*H13035-42	O-RING (S38)	1	
43	*H13035-43	CAP	1	
44	*H13035-44	THROTTLE LEVER	1	
45	*H13035-45	SPRING PIN (3X20)	1	
46	*H13035-46	VALVE BODY	1	
47	*H13035-47	O-RING (S011.2)	1	
48	*H13035-48	O-RING (P-9)	1	
49	*H13035-49	VALVE STEM	1	
50	*H13035-50	O-RING (P3)	1	
51	*H13035-51	VALVE SPRING	1	
52	H13035-52	AIR REGULATOR F/SE135	1	L
53	*H13035-53	O-RING (P7)	2	
54	*H13035-54	EXTERNAL STOP RING (STW-8)	1	
56	H13035-56	EXHAUST DIFFUSER FOR SE135	1	L
57	*H13035-57	INLET BUSHING	1	
58	*H13035-58	HOUSING COVER	1	
59	*H1SE135-80	SANDING BELT 80 GRIT - 3/4" X 20.5" - 10PC.	1	
60	*H1SE135-100	SANDING BELT 100 GRIT - 3/4" X 20.5" - 10PC.	1	
61	*H13035-61	O-RING (AS-004)	1	