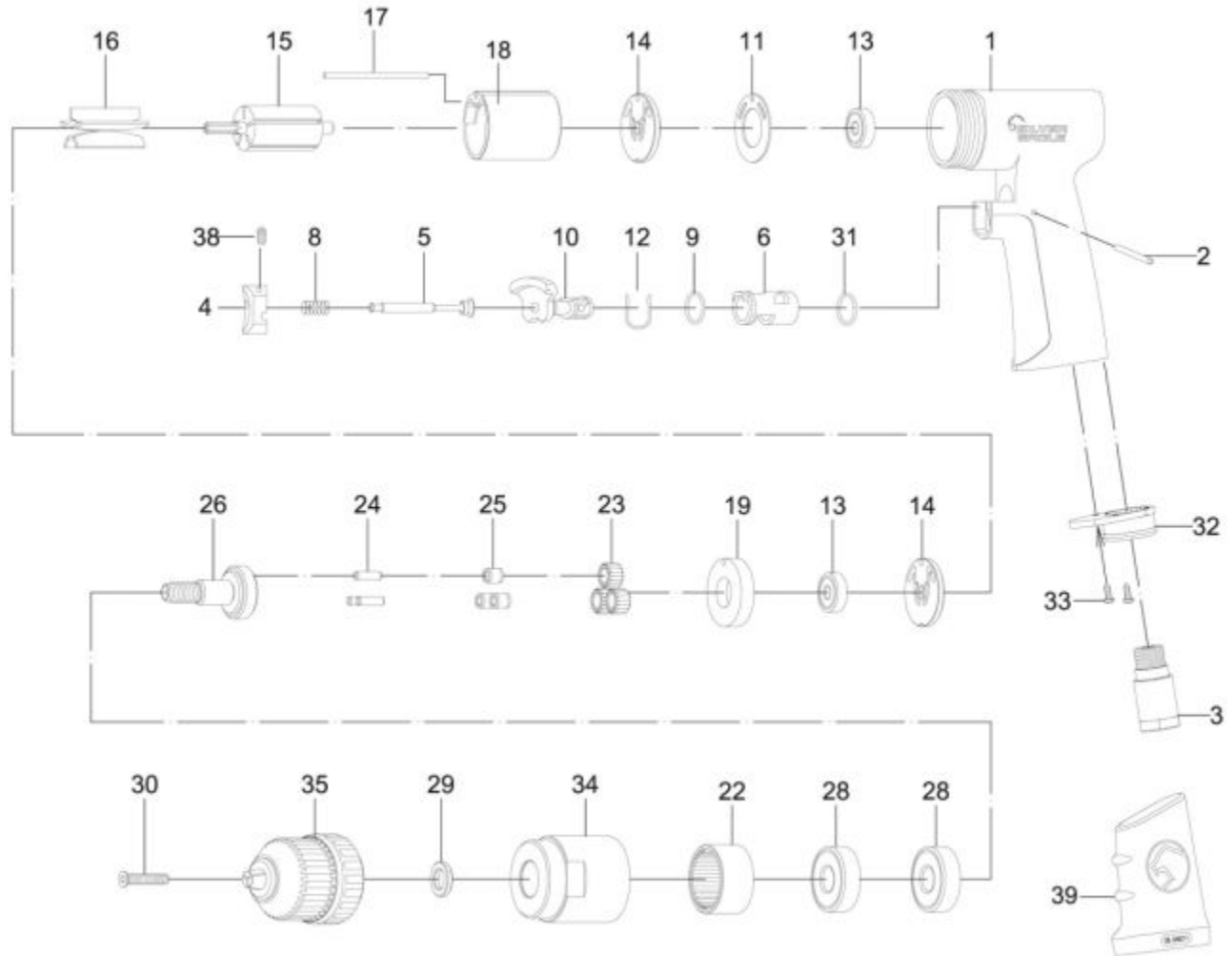


SE144 - 3/8" REVERSIBLE AIR DRILL



Item: SE144

Description: 3/8" REVERSIBLE AIR DRILL

Notes: Also available: RSSE144WL - Product/Warning Label

Figure No	Part Number	Description	No. Reqd	Warranty Code
1	K7RS82201SE	MOTOR HOUSING F/SE155	1	X
2	K7RS43009	PIN - MINI SANDER	1	X
3	K7RS79503	AIR INLET F/MT1889	1	X
4	K7RS79404N	TRIGGER - REV. AIR DRILL	1	X
5	K7RS79405N	VALVE STEM SET F/RL150	1	X
6	K7RS79406N	REVERSE BUSHING F/RL150	1	X
8	K7RS79408N	VALVE SPRING - REV. AIR DRILL	1	X
9	K7RS79409N	O RING F/RL150	1	X
10	K7RS79410N	REVERSE LEVER	1	X
11	K7RS79511	MOTOR GASKET F/ RL138	1	X
12	K779412N	REVERSE RETAINER	1	X
13	K7RS21114	BEARING SX233A AND MT1884	2	X
14	K7RS79514	END PLATE F/MT1810	2	X
15	K7RS79515	ROTOR F/RL138	1	X
16	K7RS78716	ROTOR BLADE F/MT1810	5	X
17	K7RS79517	SPRING PIN F/SE144	1	X
18	K7RS78718	CYLINDER FOR MT1810	1	X
19	*K7RS79519	SPACER	1	
22	K7RS79522	INTERNAL GEAR	1	X
23	K7RS79523	PLANET GEAR W/BUSHING	3	X
24	*K7-	PIN (INCL. WITH #26)	3	
25	*K7-	BUSHING (INCL. WITH #23)	3	
26	K7RS79526	SPINDLE W/PINS F/RL138	1	X
28	K7RS21118	BEARING F/SX211A	2	X
29	K779529	CHUCK SPACER	1	X
30	K779530	SCREW	1	X
31	*K7RS7931N	O-RING	1	
32	K7RS76232	EXHAUST DIFFUSER F/MT1889	1	X
33	K7RS43007	SCREW F/RL430	2	X
34	K7RS79534	CLAMP NUT	1	X
35	K7RS14435	3/8 KEYLESS CHUCK F/SE144	1	X
38	K7RS79438N	SET SCREW - REV. AIR DRILL	1	X
39	K7RS82253SE	RUBBER GRIP F/SE144	1	X

