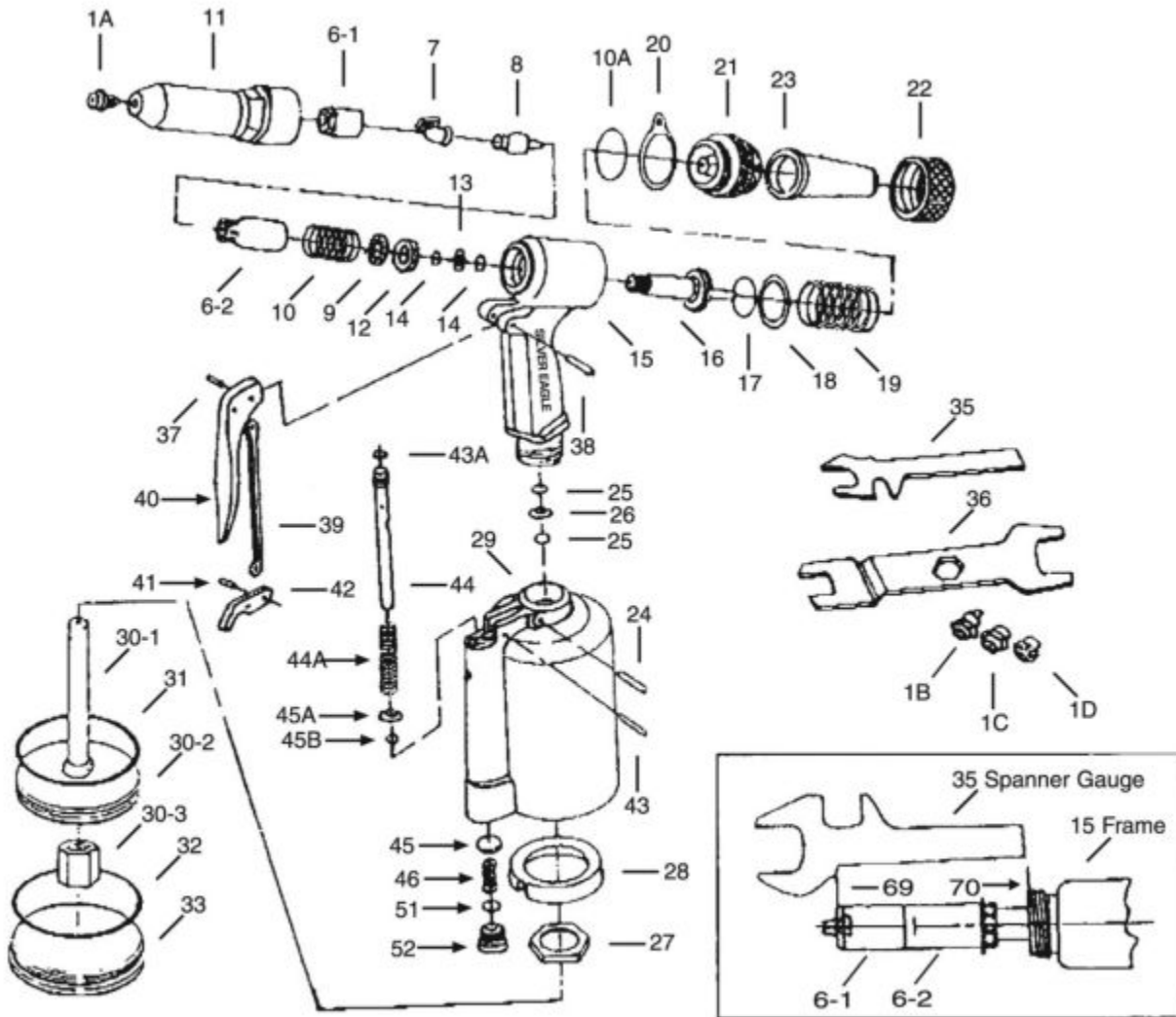


SE200 - SILVER EAGLE AIR RIVETER



Item: SE200

Description: SILVER EAGLE AIR RIVETER

Notes: N/A

Figure No	Part Number	Description	No. Reqd	Warranty Code
1	K7RS273-1A	3/16 IN NOSEPIECE	1	X
1	K7RS273-1B	5/32 NOSEPIECE F/SX200	1	X
1	K7RS273-1C	1/8 NOSEPIECE F/SX200	1	X
1	K7RS273-1D	TIP F/SX200	1	X
6	K7273-06-1	JAW CASE	1	X
6	K7273-06-2	JAW CASE	1	X
7	K7AHR273-07	JAW F/SX200	2	X
8	K7RS273-08	JAW PUSHER	1	K
9	K7AHR273-09	CASE WASHER RING	1	X
10	K7273-10	JAW PUSH. SPR.	1	X
10	K7AHR273-10A	FRAME CAP ORING F/SE200	1	X
11	K7AHR273-11	FRAME HEAD	1	X
12	K7AHR273-12	CASE LOCKNUT	1	X
13	K7AHR273-13	BACKUP RING F/SE200	1	X
14	*K7RS83814	BACK-UP O-RING	2	
15	*K7RS27315G	FRAME	1	
16	K7AHR273-16/	OIL PISTON F/SX200	1	X
17	K7AHR273-17	OIL PISTON ORING F/SE200	1	X
18	K7AHR273-18	BACKUP ORING F/SE200	1	X
19	K7AHR273-19	RETURN SPRING	1	X
20	K7273-20	RING	1	X
21	K7AHR273-21	FRAME CAP	1	X
22	K7AHR273-22	FRAME CAP NUT	1	X
23	K7RS27323R	SAFETY CAP F/SE200	1	X
24	*K7RS273-24	SETTING SCREW PIN	1	
25	K738325	BACKUP ORING	1	X
26	K7RS38326	BACK UP ORING	1	X
27	K7RS38327	FRAME LOCK NUT	1	X
28	K7273-28	RUBBER CUSHION F/SX200	1	X
29	*K7RS272-29R	AIR CYLINDER	1	
30	K7273-30-1	AIR PISTON STEM	1	X
30	K7273-30-2	AIR PISTON	1	X
30	*K7RS273-30-3	(30-3) AIR PISTON LOCK NUT	1	

31	K7RS273-31	AIR PISTON O RING	1	X
32	K7273-32	CYLINDER ORING	1	X
33	K7RS273-33	CYLINDER CAP	1	X
35	K7273-35	SPANNER GAUGE	1	X
36	K7273-36	SPANNER	1	X
37	K7AHR273-37	TRIGGER PIN	1	X
38	*K7RS273-38	CONNECTOR	1	
39	K7AHR273-39	TRIGGER ROD	1	X
40	K738340	TRIGGER	1	X
41	K7AHR273-41	CONNECTOR	1	X
42	K7AHR273-42	TRIGGER LEVER	1	X
43	*K7RS273-43	LEVER PIN	1	
43	K7273-43A	VALVE RUSHER O-RING	1	X
44	K7AHR273-44	VALVE PUSHER	1	X
44	K7273-44A	VALVE SPRING	1	X
45	K738345	VALVE F/GREASE GUN	1	X
45	K7273-45A	VALVE COLLAR	1	X
45	K7AHR273-45B	COLLAR ORING	1	X
46	K738345	VALVE F/GREASE GUN	1	X
51	K738351	VALVE CAP ORING	1	X
52	K738352	VALVE CAP	1	X