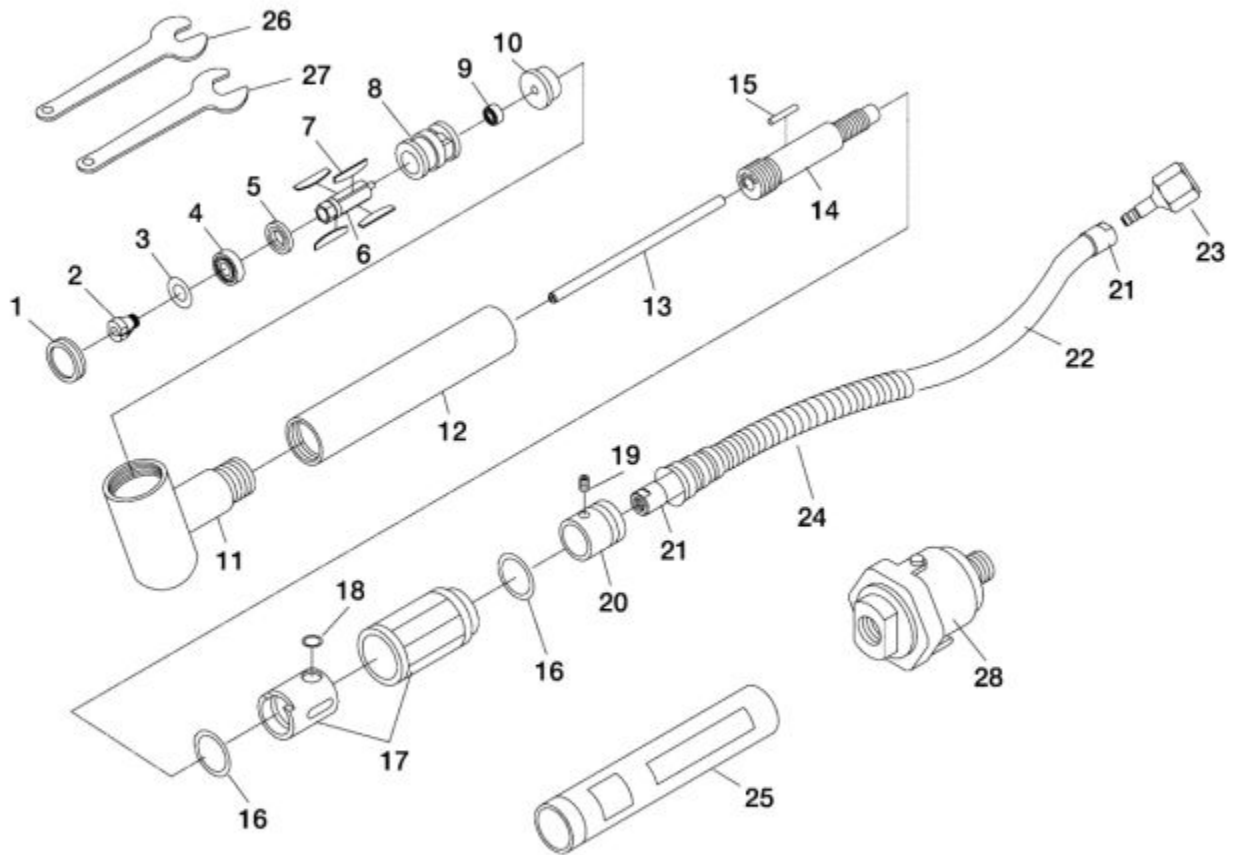


## SE321K - ANGLE PENCIL DIE GRINDER KIT



Item: SE321K

Description: ANGLE PENCIL DIE GRINDER KIT

Notes: \*Available only with #22 Accessories also available: K7SE320SK - 10 Pc. Pencil Die Grinder Stone Set

Figure No	Part Number	Description	No. Reqd	Warranty Code
1	K7RSPDG9001	LOCK NUT F/SE321	1	X
2	K7RSPDG9002	COLLET 1/8 INCH F/SE321K	1	X
3	*K7RSPDG9003	SPACER	1	
4	*K7RSPDG9004	BALL BEARING	1	
5	*K7RSPDG9005	FRONT END PLATE	1	
6	K7RSPDG9006	ROTOR FOR SE321K	1	X
7	K7RSPDG9007	ROTOR BLADE F/SE321K	4	X
8	*K7RSPDG9008	CYLINDER	1	
9	K7RSPDG9009	BALL BEARING F/ SE321K	1	X
10	*K7RSPDG9010	REAR END PLATE	1	
11	*K7RS101411	ANGLE HOUSING	1	
12	*K7RSPDG9012	SLEEVE	1	
13	*K7RSPDG9013	AIR INTAKE TUBE	1	
14	*K7RSPDG9014	HOSE PLUG	1	
15	K7RS24518	PIN	1	X
16	*K7RSPDG9016	O-RING	2	
17	*K7RS32117SE	SLIDING KNOB ASSY.	1	
18	K7RS24520	O-RING	1	X
19	K7RS24522	SCREW	1	X
20	*K7RS24523	REAR END HOLDER	1	
21	*K7*	HOSE NUT	2	
22	K7RS24525	BLK HOSE RL302K	1	X
23	K7RS24526	AIR INLET F/RL302K	1	X
24	K7RSPDG28	BLACK SILENCER	1	X
25	*K7RS32125SE	COMFORT GRIP	1	
26	K7RSPDG9026	6MM WRENCH F/SE321K	1	X
27	K7RSPDG9027	8MM WRENCH F/SE321K	1	X
28	K7RS24532	FILTER FOR SX245K,RL302K	1	X