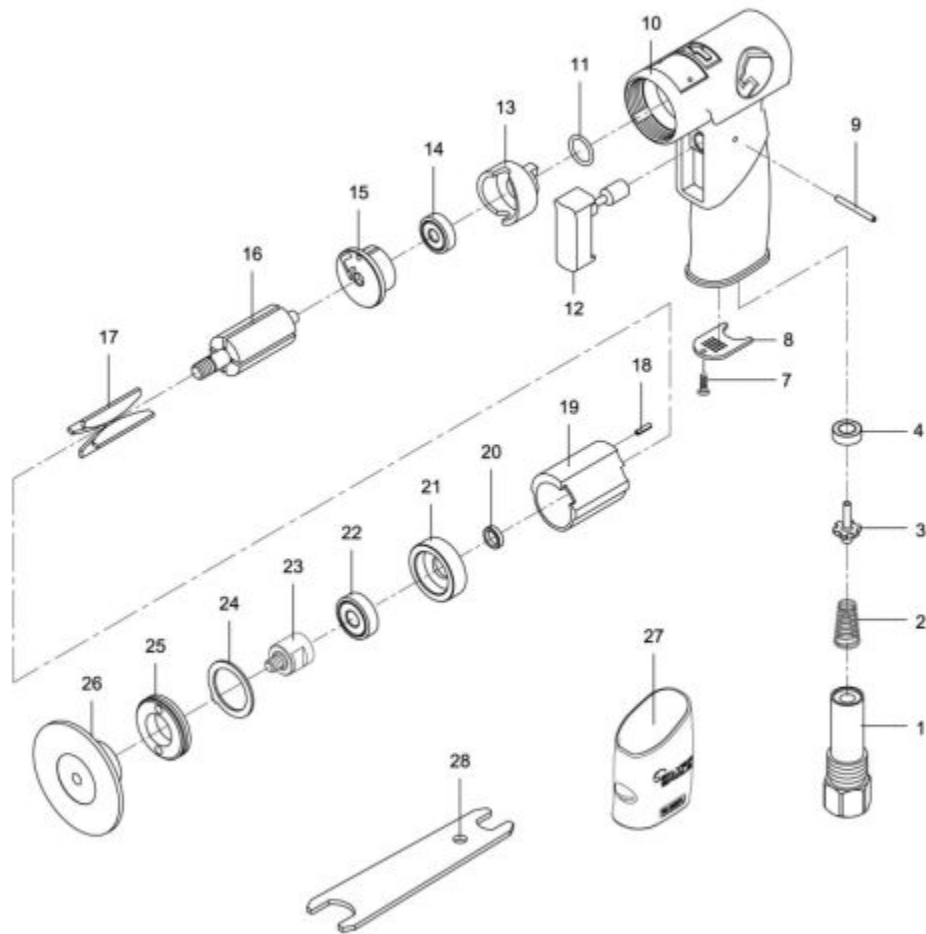


SE440 - MINI STRAIGHT SANDER



Item: SE440

Description: MINI STRAIGHT SANDER

Notes: *Note: as of serial number 8172001, #3 RS43003A valve stem and #4 RS43004A rubber spacer have been modified. When replacing existing parts with these new parts in older tools, note that #5 RS43005 valve and #6 RS43006 o-ring are no longer necessary and should be discarded.

Figure No	Part Number	Description	No. Reqd	Warranty Code
1	K7RS43001	AIR INLET F/RL730	1	X
2	K7RS43002	SPRING	1	X
3	K7RS43003A	VALVE STEM F/ SE730	1	X
4	K7RS43004A	RUBBER SPACER F/ SE730	1	X
5	K7RS43005	VALVE	1	X
6	K7RS43006	O RING	1	X
7	K7RS43007	SCREW F/RL430	1	X
8	K7RS43008	DIFFUSER	1	X
9	K7RS43009	PIN - MINI SANDER	1	X
10	K7RS43010SE	HOUSING F/ RL440	1	X
11	K7RS43011	O RING F/RL440	1	X
12	K7RS43012	TRIGGER FOR RL730	1	X
13	K7RS43013	AIR REGUALATOR F/RL440	1	X
14	K721114	BEARING F/RL600	1	X
15	K7RS43015	END PLATE F/RL730	1	X
16	K7RS43016	ROTOR F/SE430	1	X
17	K7RS78816	ROTOR BLADE FOR RL138	4	X
18	K7RS43018	PIN MINI SDR	1	X
19	K7RS43019	CYLINDER F/SE430	1	X
20	K7RS43020	ROTOR BUSHING F/SE430	1	X
21	*K7RS43021	FRONT PLATE	1	
22	K730524	FRONT BEARING	1	X
23	K7RS44023	SPINDLE FOR RL440	1	X
24	K7RS43024	SPACER FOR RL730	1	X
25	K7RS44025	MOTOR LOCK NUT F/ SE440	1	X
26	K7RSKKP3	3 IN PAD F/RL440	1	X
27	K7RS43031SE	GRIP F/ SE430	1	X
28	K7RS44028	SPANNER MT1880/RL440	1	X