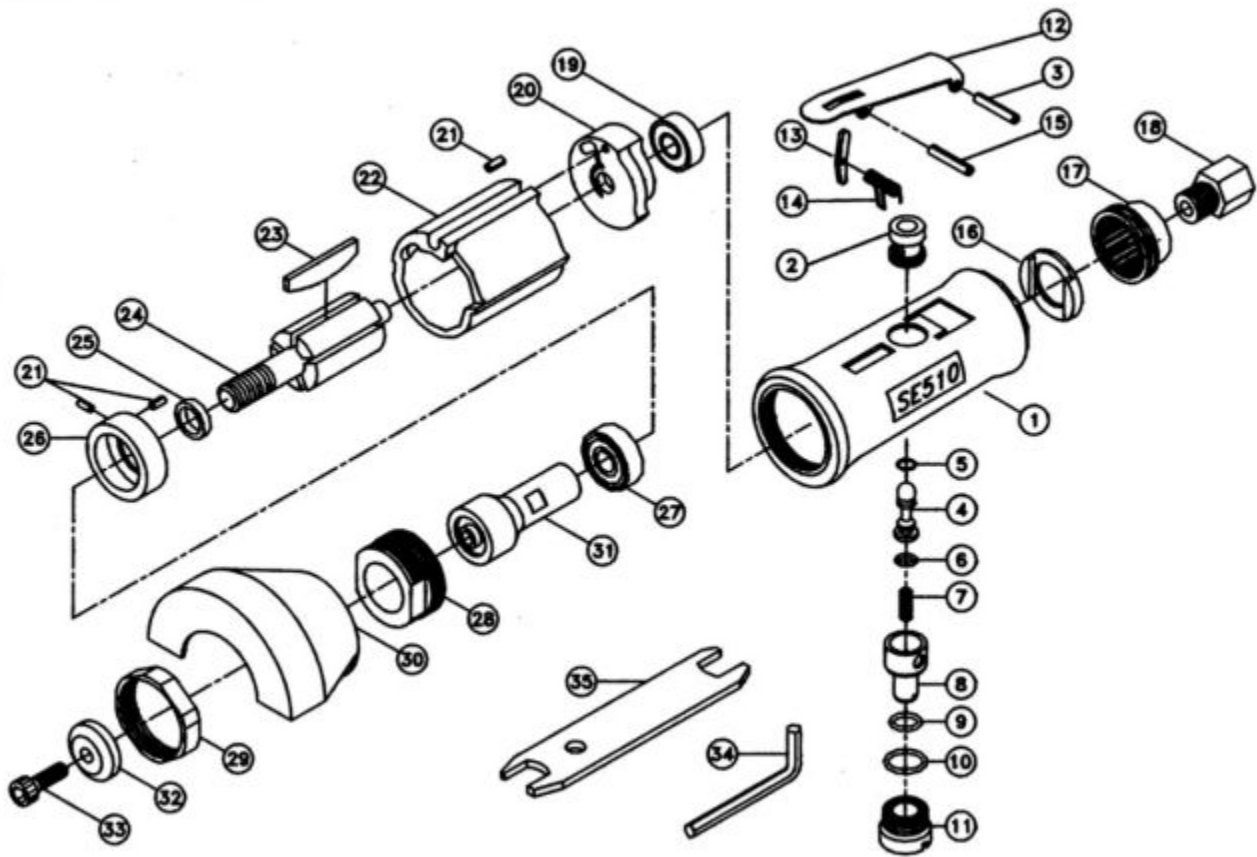


SE510 - 3" CUT OFF TOOL



Item: SE510

Description: 3" CUT OFF TOOL

Notes: 1 - Part # 33 has left-handed thread. Be sure to turn clockwise to remove. 2 - Item no.'s RS98112, RS98113, RS98114, & RS98115 are no longer available individually. Please order as RS98112A. 09/02/11

Figure No	Part Number	Description	No. Reqd	Warranty Code
0	*K7RS98102A	O-RING FOR VALVE BUSHING (NOT SHOWN)	1	
1	K7RS98101SE	MOTOR HOUSING F/ SE510	1	X
2	*K7RS98102	VALVE BUSHING (INCLUDED WITH # 25)	1	
3	K798103	PIN	1	X
4	*K7RS98104	VALVE STEM	1	
5	K7RS98105	ORING	1	X
6	K7RS98106	ORING	1	X
7	K7RS98107	SPRING FOR RL500	1	X
8	K7RS98108	REGULATOR F/ SE510	1	X
9	K7RS98109	ORING	1	X
10	K7RS98110	ORING	1	X
11	K7RS98111	VALVE SCREW F/ SE510	1	X
12	K7RS98112A	THROTTLE LEVER ASSY F/SE510	1	X
13	K7RS98112A	THROTTLE LEVER ASSY F/SE510	1	X
14	K7RS98112A	THROTTLE LEVER ASSY F/SE510	1	X
15	K7RS98112A	THROTTLE LEVER ASSY F/SE510	1	X
16	K7RS98116	SILENCER F/RL500	1	X
17	K7RS98117	DEFLECTOR	1	X
18	K7RS98118	AIR INLET F/RL500	1	X
19	K7RS21114	BEARING SX233A AND MT1884	1	X
20	K7RS98120	REAR END PLATE RL500	1	X
21	*K7RS98121	PIN	3	
22	K7RS98122	CYLINDER F/RL500	1	X
23	K798123	SINGLE VANE	4	X
24	K7RS98124A	ROTOR F/RL500	1	X
25	K7RS98125	ROTOR SPACER	1	X
26	K7RS98126	FRONT END PLATE RL500	1	X
27	K7RS10920	BALL BEARING MT1430,50,60,1884	1	X
28	*K7RS98128	LOCK NUT	1	
29	K798201	LOCK NUT F/RL500 GUARD	1	X
30	K798202	GUARD F/ RL500	1	X
31	K798203	SPINDLE F/RL500	1	X

32	K798204	SPACER	1	X
33	K798205	HEX SCREW	1	X
34	K798206	HEX WRENCH	1	X
35	K798207	SPANNER WRENCH	1	X