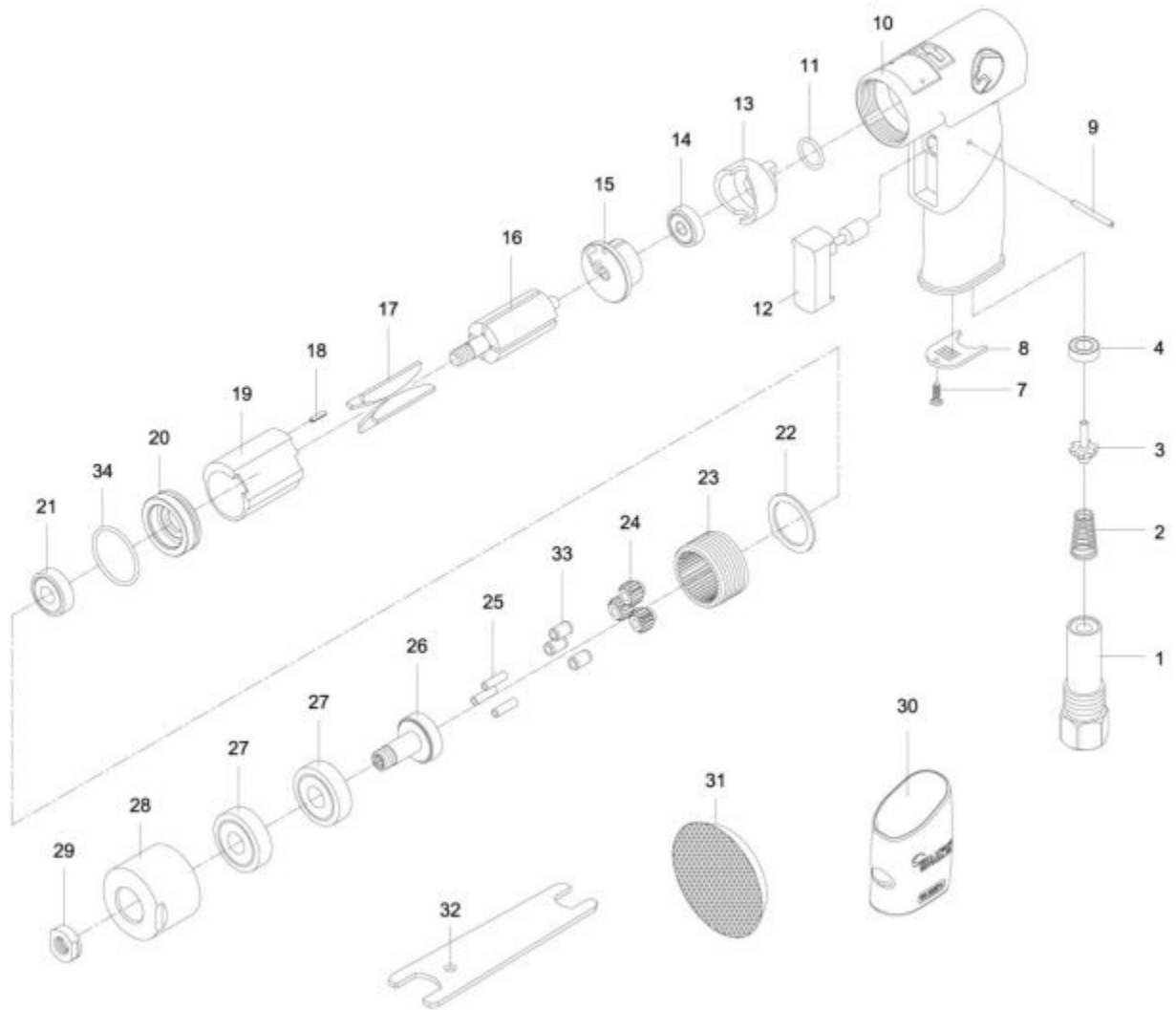


## SE730 - MINI POLISER



Item: SE730

Description: MINI POLISHER

**Notes:** Replacement Pads - 3 available (see Figure #0) Molded case - available (see Figure #0) \*Note: as of serial number 8165001, #3 RS43003A valve stem and #4 RS43004A rubber spacer have been modified. When replacing existing parts with these new parts in older tools, note that #5 RS43005 valve and #6 RS43006 o-ring are no longer necessary and should be discarded.

Figure No	Part Number	Description	No. Reqd	Warranty Code
0	SE7302	3-1/2" BUFFING BONNET	0	T
0	SE7303	3" WHITE COMPOUNDING PAD	0	T
0	SE7304	3" YELLOW COMPOUNDING FOAM PAD	0	T
0	K7RSSE730KCS	CASE FOR SE730	0	X
1	K7RS43001	AIR INLET F/RL730	1	X
2	K7RS43002	SPRING	1	X
3	K7RS43003A	VALVE STEM F/ SE730	1	X
4	K7RS43004A	RUBBER SPACER F/ SE730	1	X
5	K7RS43005	VALVE	1	X
6	K7RS43006	O RING	1	X
7	K7RS43007	SCREW F/RL430	1	X
8	K7RS43008	DIFFUSER	1	X
9	K7RS43009	PIN - MINI SANDER	1	X
10	K7RS43010SE	HOUSING F/ RL440	1	X
11	K7RS43011	O RING F/RL440	1	X
12	K7RS43012	TRIGGER FOR RL730	1	X
13	K7RS43013	AIR REGULATOR F/RL440	1	X
14	K721114	BEARING F/RL600	1	X
15	K7RS43015	END PLATE F/RL730	1	X
16	K7RS73016	ROTOR F/ RL730	1	X
17	K7RS78816	ROTOR BLADE FOR RL138	4	X
18	K7RS43018	PIN MINI SDR	1	X
19	K7RS43019	CYLINDER F/SE430	1	X
20	*K7RS73020	FRONT PLATE (INCLUDES #34 O-RING)	1	
21	K730524	FRONT BEARING	1	X
22	K7RS43024	SPACER FOR RL730	1	X
23	K7RS73023	OUTSIDE GEAR F/RL730K	1	X
24	K7RS73024	PLANET GEAR FOR RL730K	3	X
26	K7RS73026A	WORK SPINDLE WITH PINS	1	X
27	K7RS29120	BEARING F/MT1810	2	X
28	K7RS73028	CLAMP NUT F/RL730	1	X

29	*K7RS73029	SPACER	1	
30	K7RS43031SE	GRIP F/ SE430	1	X
31	SE4303	3" VELCRO PAD	1	T
32	K7RS233A28	WRENCH F/RL730K	1	X