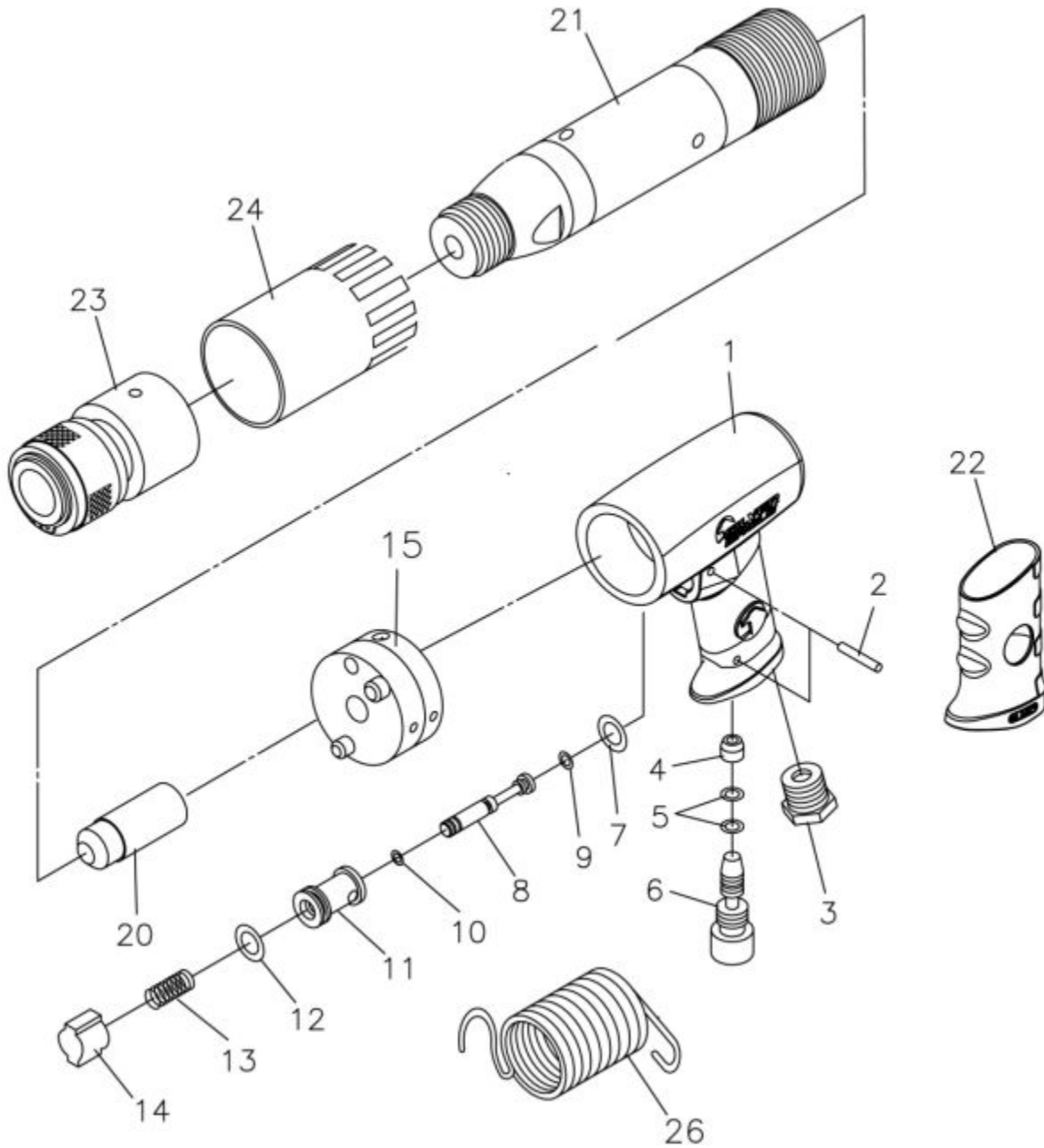


SE916 - SILVER EAGLE AIR HAMMER



Item: SE916

Description: SILVER EAGLE AIR HAMMER

Notes: Not shown: RSMAHKCASE Molded Case

Figure No	Part Number	Description	No. Reqd	Warranty Code
1	K7RS90501	HOUSING ASSY F/ RL910	1	X
2	K7848002	ROLL PIN RL910	2	X
3	K7RS848003	INLET BUSHING F/RL900,MT1718	1	X
4	K7848004	CAP FOR RL910	1	X
5	K7848005	O-RING FOR RL910	2	X
6	K7848006	REGULATOR FOR RL910	1	X
7	K7RS848007	O-RING F/RL910,MT1718	1	X
8	K7RS848008V	VALVE STEM F/RL910,MT1718	1	X
9	K7RS848009	O-RING F/RL900,MT1718	1	X
10	K7RS848010	O-RING F/RL910,MT1718	1	X
11	K7RS848011	VALVE BUSHING F/RL910,MT1718	1	X
12	K7848012	O RING	1	X
13	K7848013	TRIGGER SPRING FOR RL910	1	X
14	K7848014	TRIGGER BUTTON	1	X
15	K7RS181112	VALVE BLOCK F/SE906/SE916	1	X
20	K7848019	PISTON FOR RL910	1	X
21	K7RS848320	RL910A CYLINDER	1	X
22	K7RS90522	COMFORT GRIP F/SE915	1	X
23	SECR1	QUICK CHANGE CHISEL RETAINER	1	D
24	K7RS848023	EXHAUST DEFLECTOR FOR RL910A	1	X
26	K787301	RETAINER SPRING	1	X