

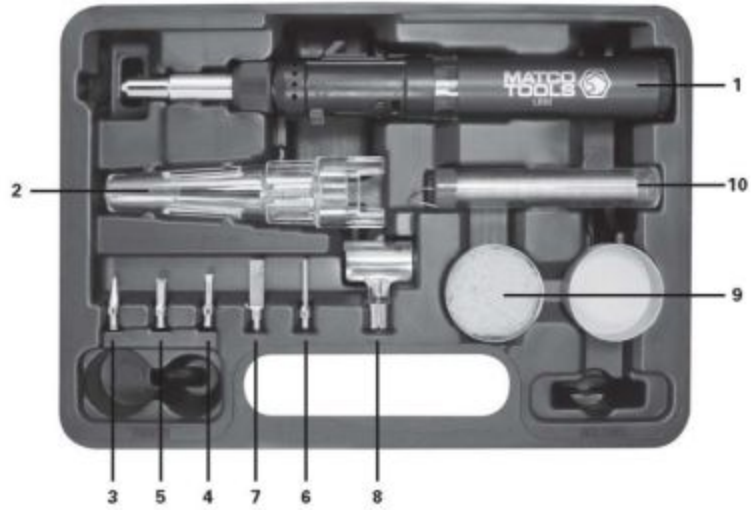
SK8MAT - 8 PIECE SOLDERING KIT



8 PIECE SOLDERING KIT

SK8MAT

PARTS BREAKDOWN



Item: SK8MAT

Description: 8 PIECE SOLDERING KIT

Notes: This kit was a D warranty and was changed to an M warranty so that the entire kit is not returned when a part can be replaced. Consult the Parts Manual for replacement items or if you choose not to warranty an individual item call Matco Customer Service

Figure No	Part Number	Description	No. Reqd	Warranty Code
0	*H1LBSI-01	LBSI SOLDERING IRON BODY MAIN ONLY	1	
1	LBSI	LONG BARREL SOLDERING IRON	1	M
2	H1LBSI01	CLEAR NOSE COVER FOR LBSI	1	T
3	H1SK8MAT01	TRIPLE PLATED SOLDERING POINT	1	D
4	HISK8MAT02	CHISEL SOLDERING TIP	1	T
5	H1SK8MAT03	ANVIL SOLDERING TIP	1	T
6	H1SK8MAT04	NEEDLE SOLDERING TIP	1	T
7	H1SK8MAT05	ANGLE KNIFE SOLDERING TIP	1	T
8	H1SK8MAT06	HEAT SHRINK DEFLECTOR	1	T
9	H1SK8MAT07	SPONGE W/ TRAY F/SK8MAT	1	T
10	H1SK8MAT08	LEAD-FREE SOLDER F.SK8MAT	1	T