



OWNER'S MANUAL

Model No.
THD394

Save This Manual For Future Reference

HEAVY DUTY TOOL TROLLEY

DESCRIPTION

Heavy Duty Tool Trolley is rated for up to 450 lbs. Trolley is ideal for automotive and shop applications. The trolley tray is made of 21 gauge steel and is 12 x 18". Frame is 1" black finished, welded tubular steel. Seat is 16" x 16" x 3½" thick and back is 12" x 6" x 2½" thick. 3" diameter soft tread casters provide ease of movement on hard surfaces and two casters have a manual side brake to lock the stool in place.

ASSEMBLY INSTRUCTIONS

Read these instructions before starting; follow assembly procedures carefully.

1. Push braking casters (Key No. 2) into bottom front holes in frame (Key No. 3).
2. Push casters (Key No. 1) into bottom back holes in frame.
NOTE: Make sure all four casters are properly seated into holes in bottom of frame.
3. Position seat (Key No. 5) on frame and attach using ¼-20 x 1½" phillips pan head screws (Key No. 6), but DO NOT tighten screws completely.
4. Attach back bars to back (Key Nos. 7 and 9) using four ¼-20 x 2" phillips pan head screws (Key No. 8), but DO NOT tighten screws completely.
5. Align holes in brace of frame with holes in back bars and bottom of seat. Attach back bars to bottom of seat using four ¼-20 x 1½" phillips pan head screws (Key No. 6). Securely tighten all eight screws to seat and all four screws to back.
6. Place tray (Key No. 4) below seat and between sides of frame. Place trolley on floor and if desired, lock braking casters.

GENERAL SAFETY INSTRUCTIONS

1. Do not stand on seat.
2. Trolley must be on level surface to ensure proper stability.
3. Only use trolley when fully assembled.
4. Periodically check fasteners and tighten securely if needed.
5. Never use trolley if it does not perform according to this manual.

INDUSTRIAL SEATING LIMITED WARRANTY

Product is warranted against mechanical or structural failure due to defective material or workmanship for 1 year. Provided however, this warranty lasts only so long as you own your product. If you sell or otherwise transfer the product this warranty terminates automatically. Products that are damaged or made unserviceable by accidents, abuse, misuse or are altered in anyway are not covered by this warranty.

Matco Tools reserves the right to replace or recondition at its option, any units covered by this warranty. All return shipments require Material Return Authorization and must be freight prepaid unless otherwise approved in writing.

If any product covered under this warranty fails to meet the terms of this warranty or it is in any respect broken, defective or missing parts, please call us immediately at toll free 1-866-289-8665. Any attempts to make unauthorized repairs will void this warranty in every respect.

This warranty gives you specific legal rights. You may have other rights which vary from state to state, however such implied rights are limited to a period of one year from the date of your initial purchase. Some states do not allow limitations on how long an implied warranty lasts, so the above limitation may not apply to you.

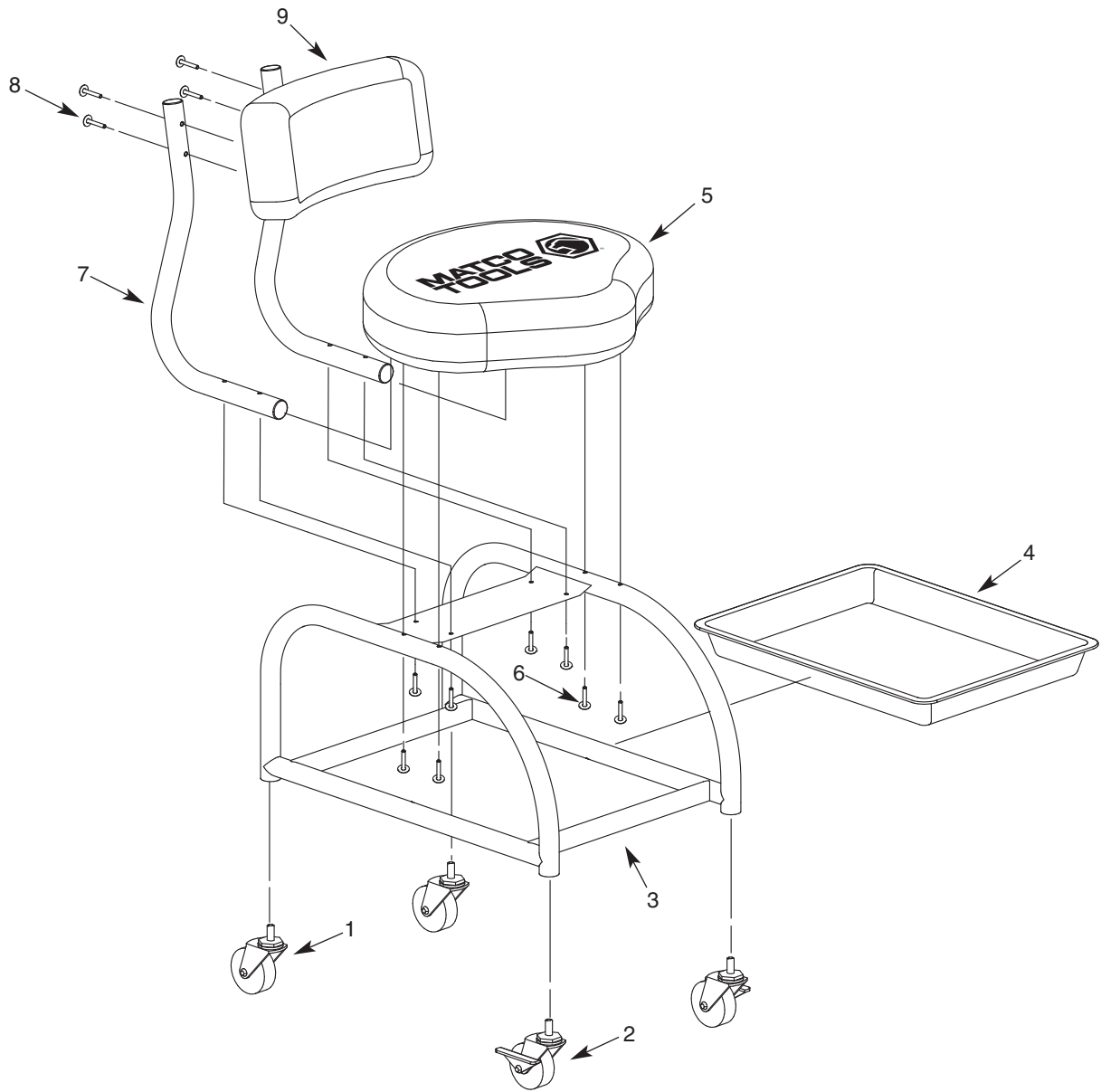
Matco Tools will in no event be liable for incidental or consequential damages for any amount in excess of the original purchase price. Some states do not allow exclusion or limitation of such damages, so the above limitation or exclusion may not apply to you.

HOW TO ORDER REPAIR PARTS

When ordering repair parts or reporting problems, always give the following information:

NAME OF ITEM	MODEL NUMBER
Heavy Duty Tool Trolley	THD394
PART DESCRIPTION	PART NUMBER

All parts listed may be ordered from Matco Tools® Customer Service at 1-866-289-8665.



PARTS LIST

KEY NO.	DESCRIPTION	QTY	PART NO.
1	Caster	2	10342.01
2	Braking Caster	2	10343.01
3	Frame	1	10320.02
4	Tray	1	03629.00
5	Seat	1	10322.40
6	¼-20 x 1½" Phillips Pan Head Screw	8	03630.00
7	Back Bar	2	10323.02
8	¼-20 x 2" Phillips Pan Head Screw	4	10318.01
9	Back	1	10324.00