

TSB700 - TRANVERSE SUPPORT BAR 700 LBS



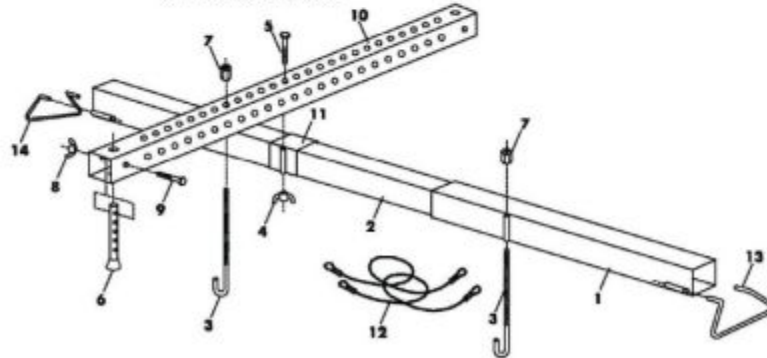
REPLACEMENT PARTS

Not all components of the Transverse Support Bar are replacement items, but are illustrated as a convenient reference of location and position in the assembly sequence. When ordering parts, give part number and description. Call or write for current pricing: Matco Tools, 4403 Allen Road, Stow, OH 44224-1096, U.S.A. Tel: (866) BUY-TOOL. Matco Tools Website: <http://www.matcotools.com>

Replacement Parts List for Model TSB700

Item	Part No.	Description	Qty
1	N/A	Boom	1
2	N/A	Boom Extension	1
3	*	Threaded Hook	2
4	*	Wing Nut, M12	1
5	*	Hex Bolt M12x120	1
6	44700-6	Adjustable Leg	1
7	*	Barrel Hex Nut	2
8	*	Wing Nut, M8	1
9	*	Hex Bolt M8x65	1
10	N/A	Support Arm	1
11	N/A	Transfer Adapter	1
12	44700-12	Braided Steel Cable, 1/8"	2
13	N/A	Leg, Boom	1
14	N/A	Leg, Boom Extension	1
*	44700-15	Hardware Kit	1

* - Items included in Hardware Kit
N/A - Not user serviceable



Model TSB700 Assembly & Parts Illustration

Item: TSB700

Description: TRANVERSE SUPPORT BAR 700 LBS

Notes: N/A

Figure No	Part Number	Description	No. Reqd	Warranty Code
-----------	-------------	-------------	----------	---------------